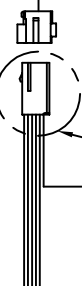


- △ PIN**
1. RIGHT REAR SENSE (ORANGE)
 2. GROUND (WHITE)
 3. ACCESSORY (RED)
 4. LEFT REAR SENSE (YELLOW)
 5. LEFT FRONT SENSE (BLACK)
 6. RIGHT FRONT SENSE (GREEN)

DETAIL A
AS VIEWED FROM WIRE
END OF CONNECTOR

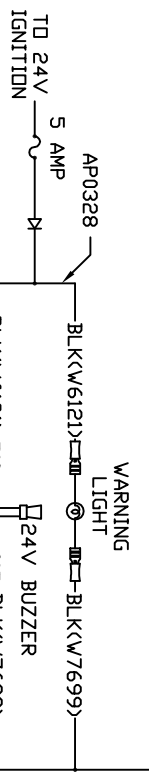
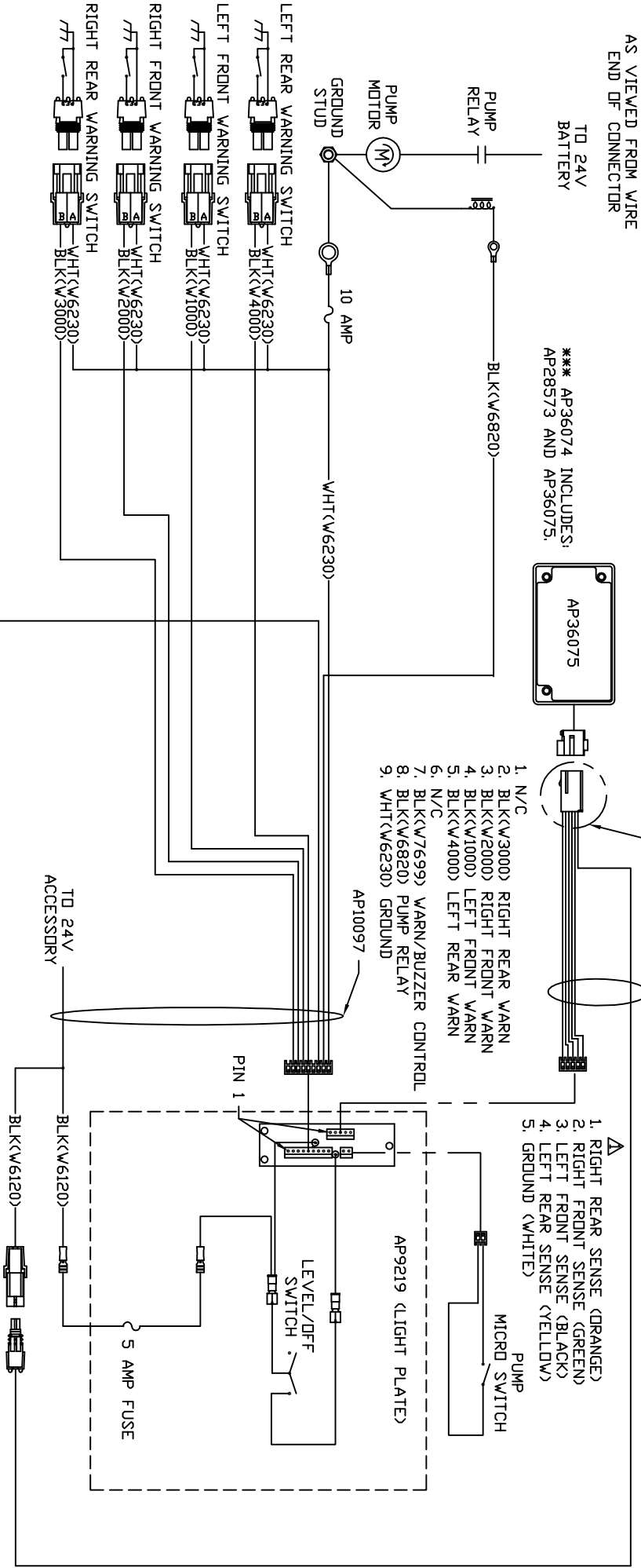
TO 24V
BATTERY

*** AP36074 INCLUDES:
AP28573 AND AP36075.



1. N/C
2. BLK(W3000) RIGHT REAR WARN
3. BLK(W2000) RIGHT FRONT WARN
4. BLK(W1000) LEFT FRONT WARN
5. BLK(W4000) LEFT REAR WARN
6. N/C
7. BLK(W7699) WARN/BUZZER CONTROL
8. BLK(W6820) PUMP RELAY
9. WHT(W6230) GROUND

- △**
1. RIGHT REAR SENSE (ORANGE)
 2. RIGHT FRONT SENSE (GREEN)
 3. LEFT FRONT SENSE (BLACK)
 4. LEFT REAR SENSE (YELLOW)
 5. GROUND (WHITE)



NOTE: INSTALLATION MUST CONFORM TO GOOD SHOP PRACTICES, SAE STANDARDS, RVIA STANDARDS, AND OTHER APPLICABLE STANDARDS.

NO.	DATE	REVISION
△	080108	CORRECTED SENSE WIRES

THE INFORMATION DISCLOSED ON THIS DRAWING IS CONFIDENTIAL AND MUST NOT BE DISCLOSED OR USED IN ANY MANNER WHICH WILL BE DETRIMENTAL TO THE HWH CORPORATION

SCALE 1:3 DATE 18JAN08 DRAWN BY .

HWH 1-80 EXIT 267 SOUTH RT 1 MOSCOW, IDWA 52760

SYSTEM SCHEMATIC ELEC

DRAWING NUMBER MP900940