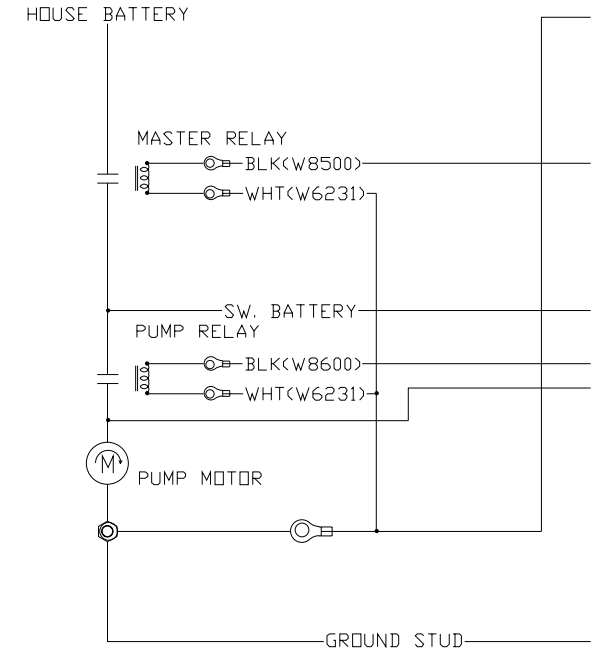


- PIN
1. YELLOW CAN HIGH
  2. GREEN CAN LOW
  3. CAN SHIELD
  4. WHT(W6230) GROUND
  5. RED(W6800) SW. BATTERY

\*AP24946 IS PART OF AP37982



RED(W6100) TO BATTERY

RED(W6120)  
 YELLOW  
 GREEN  
 SHIELD  
 WHITE(W6230)  
 RED(W6800)

AP37982

HWH I-80 EXIT 267 SOUTH  
 RT 1 MOSCOW, IOWA 52760  
 SCALE 1:3 DATE 25APR08 DRAWN BY .

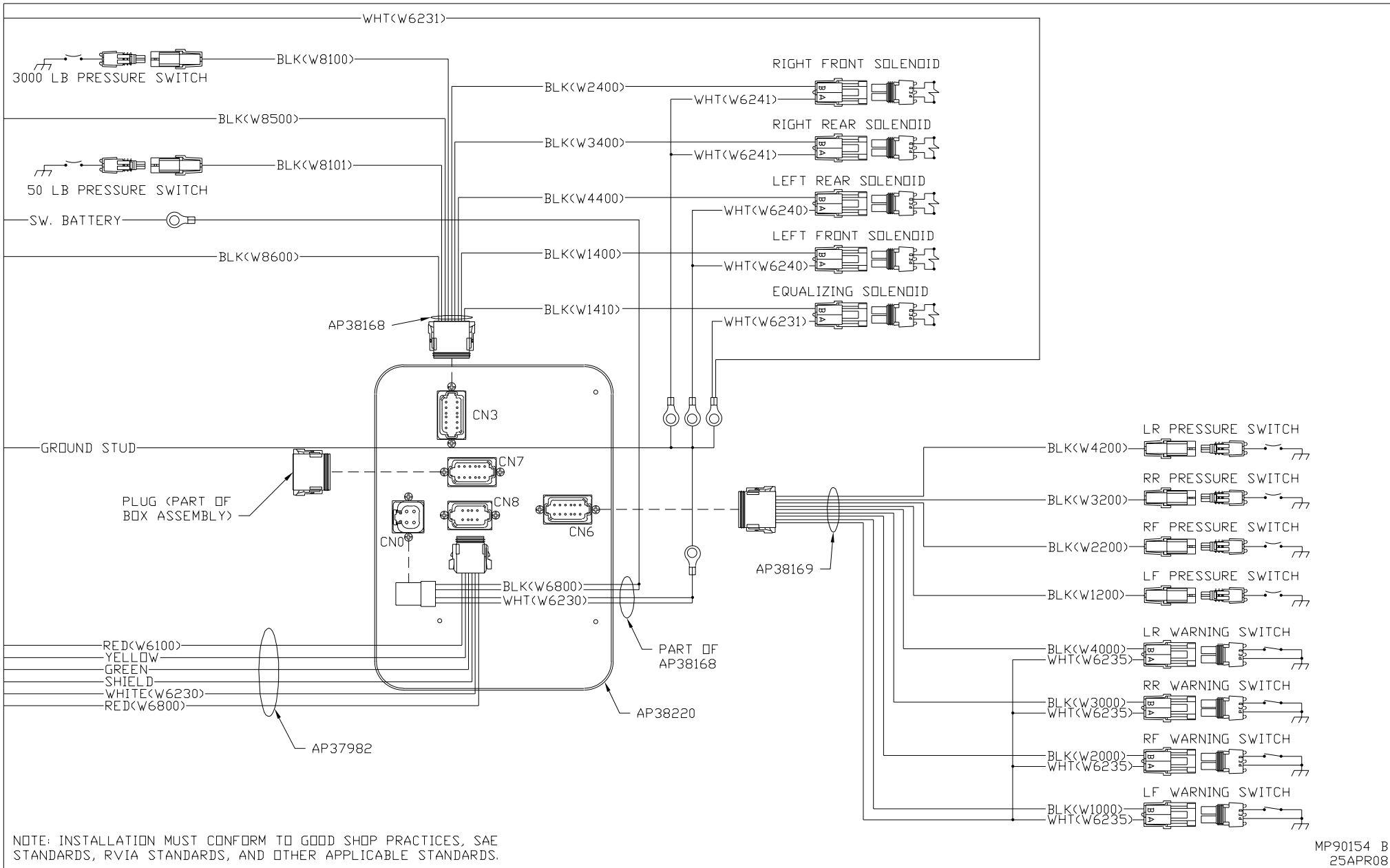
| NO. | DATE | REVISION |
|-----|------|----------|
|     |      |          |
|     |      |          |
|     |      |          |

SYSTEM SCHEMATIC ELEC

NOTE: INSTALLATION MUST CONFORM TO GOOD SHOP PRACTICES, SAE STANDARDS, RVIA STANDARDS, AND OTHER APPLICABLE STANDARDS.

THE INFORMATION DISCLOSED ON THIS DRAWING IS CONFIDENTIAL AND MUST NOT BE DISCLOSED OR USED IN ANY MANNER WHICH WILL BE DETRIMENTAL TO THE HWH CORPORATION

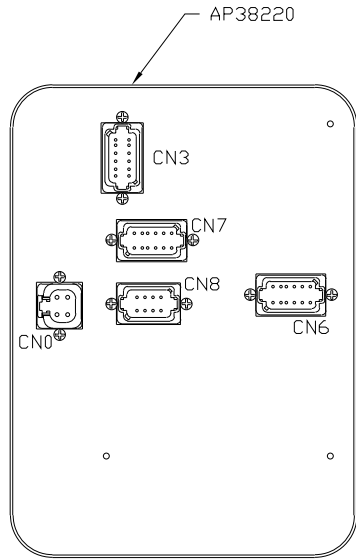
DRAWING NUMBER  
 MP90154 A/D



NOTE: INSTALLATION MUST CONFORM TO GOOD SHOP PRACTICES, SAE STANDARDS, RVIA STANDARDS, AND OTHER APPLICABLE STANDARDS.

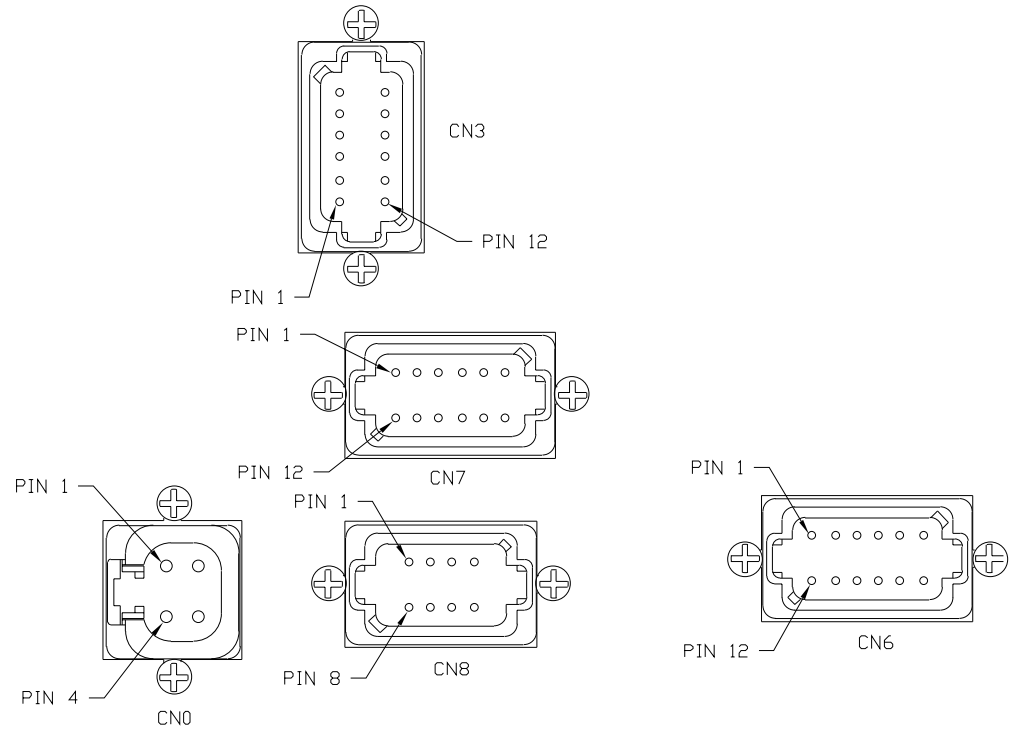
CN3 (BROWN)  
PIN

|    |                                 |
|----|---------------------------------|
| 1  | BLK(W8500) MASTER RELAY CONTROL |
| 2  | BLK(W8100) 3000 LB PRESS SW     |
| 3  | BLK(W8101) 50 LB PRESS SW       |
| 4  | N/C                             |
| 5  | BLK(W1400) LF SOLENOID          |
| 6  | N/C                             |
| 7  | BLK(W1410) EQUALIZING SOLENOID  |
| 8  | BLK(W4400) LR SOLENOID          |
| 9  | BLK(W3400) RR SOLENOID          |
| 10 | BLK(W2400) RF SOLENOID          |
| 11 | N/C                             |
| 12 | BLK(W8600) PUMP RELAY CONTROL   |



CN7 (BLACK)  
PIN

|    |     |
|----|-----|
| 1  | N/C |
| 2  | N/C |
| 3  | N/C |
| 4  | N/C |
| 5  | N/C |
| 6  | N/C |
| 7  | N/C |
| 8  | N/C |
| 9  | N/C |
| 10 | N/C |
| 11 | N/C |
| 12 | N/C |



NOTE: WIRE NUMBERS ON THIS SHEET ARE REFERENCED TO HARNESS PLUGS.

CN0 (GRAY)  
PIN

|   |                    |
|---|--------------------|
| 1 | BLK(W6800) SW BATT |
| 2 | BLK(W6800) SW BATT |
| 3 | WHT(W6230) GROUND  |
| 4 | WHT(W6230) GROUND  |

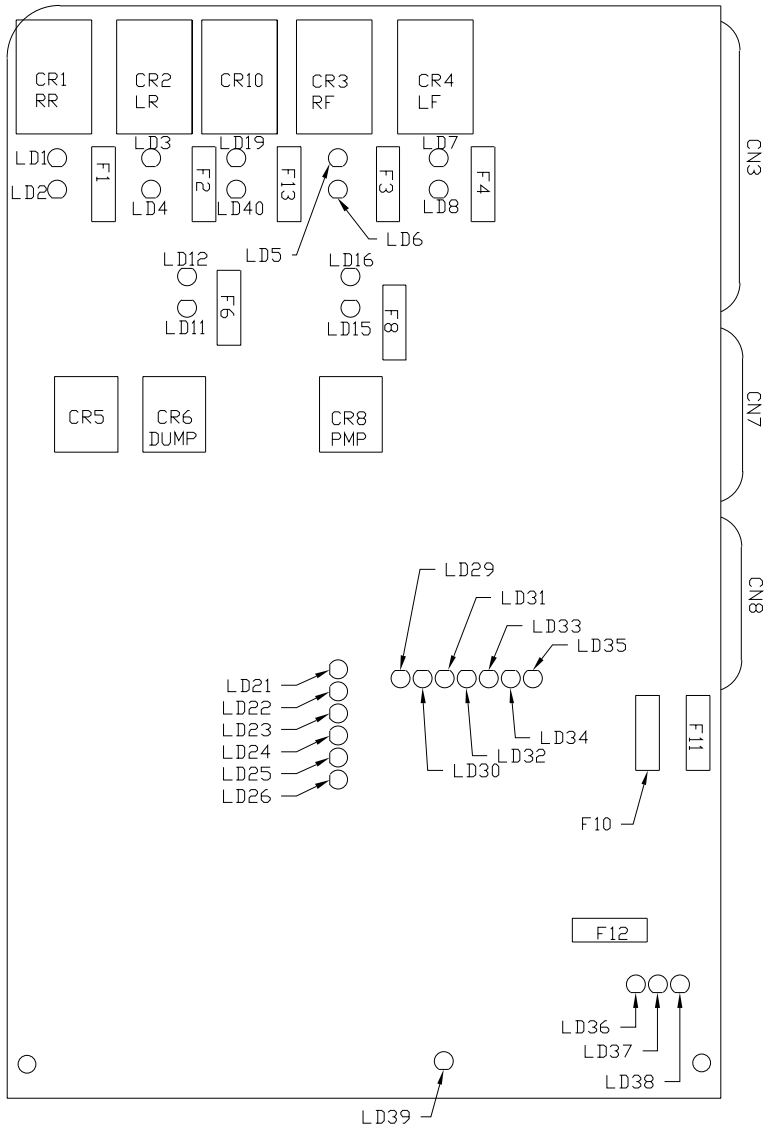
CN8 (BLACK)  
PIN

|   |                    |
|---|--------------------|
| 1 | N/C                |
| 2 | N/C                |
| 3 | RED(W6800) SW BATT |
| 4 | WHT(W6230) GROUND  |
| 5 | CAN SHIELD         |
| 6 | RED(W6100) BATTERY |
| 7 | GREEN              |
| 8 | YELLOW             |

CN6 (GRAY)  
PIN

|    |                        |
|----|------------------------|
| 1  | N/C                    |
| 2  | N/C                    |
| 3  | BLK(W1000) LF WARN SW  |
| 4  | BLK(W2000) RF WARN SW  |
| 5  | BLK(W1200) LF PRESS SW |
| 6  | BLK(W2200) RF PRESS SW |
| 7  | BLK(W3200) RR PRESS SW |
| 8  | BLK(W4200) LR PRESS SW |
| 9  | BLK(W3000) RR WARN SW  |
| 10 | BLK(W4000) LR WARN SW  |
| 11 | N/C                    |
| 12 | WHT(W6235) GROUND      |

NOTE: INSTALLATION MUST CONFORM TO GOOD SHOP PRACTICES, SAE STANDARDS, RVIA STANDARDS, AND OTHER APPLICABLE STANDARDS.



| LED #  | COLOR  | DESCRIPTION            |
|--------|--------|------------------------|
| LED 1  | YELLOW | RR COIL                |
| LED 2  | RED    | RR CONTACT             |
| LED 3  | YELLOW | LR COIL                |
| LED 4  | RED    | LR CONTACT             |
| LED 5  | YELLOW | RF COIL                |
| LED 6  | RED    | RF CONTACT             |
| LED 7  | YELLOW | LF COIL                |
| LED 8  | RED    | LF CONTACT             |
| LED 11 | YELLOW | DUMP COIL              |
| LED 12 | RED    | DUMP CONTACT           |
| LED 15 | YELLOW | PUMP COIL              |
| LED 16 | RED    | PUMP CONTACT           |
| LED 19 | YELLOW | EQ VALVE COIL          |
| LED 21 | YELLOW | LF WARN SW             |
| LED 22 | YELLOW | RF WARN SW             |
| LED 23 | YELLOW | RR WARN SW             |
| LED 24 | YELLOW | LR WARN SW             |
| LED 25 | RED    | LF PRESS SW            |
| LED 26 | RED    | RF PRESS SW            |
| LED 29 | RED    | NOT USED               |
| LED 30 | YELLOW | NOT USED               |
| LED 31 | GREEN  | NOT USED               |
| LED 32 | RED    | MASTER WARNING CONTROL |
| LED 33 | GREEN  | 50 LB PSW INPUT        |
| LED 34 | RED    | JACK INTERRUPT         |
| LED 35 | RED    | PARK BRAKE             |
| LED 36 | RED    | BOARD ENABLED          |
| LED 37 | RED    | ACCESSORY IN           |
| LED 38 | RED    | ACCESSORY OUT          |
| LED 39 | RED    | LINK LIGHT             |
| LED 40 | RED    | EQ VALVE CONTACT       |

| FUSE | RATING  | DESCRIPTION      |
|------|---------|------------------|
| F1   | 15 AMP  | RR OUTPUT        |
| F2   | 15 AMP  | LR OUTPUT        |
| F3   | 15 AMP  | RF OUTPUT        |
| F4   | 15 AMP  | LF OUTPUT        |
| F6   | 5 AMP   | DUMP             |
| F8   | 5 AMP   | PUMP OUTPUT      |
| F10  | 7.5 AMP | ACC INPUT        |
| F11  | 3 AMP   | WARN LITE SUPPLY |
| F12  | 10 AMP  | ACC OUTPUT       |
| F13  | 15 AMP  | EQ VALVE         |

NOTE: INSTALLATION MUST CONFORM TO GOOD SHOP PRACTICES, SAE STANDARDS, RVIA STANDARDS, AND OTHER APPLICABLE STANDARDS.