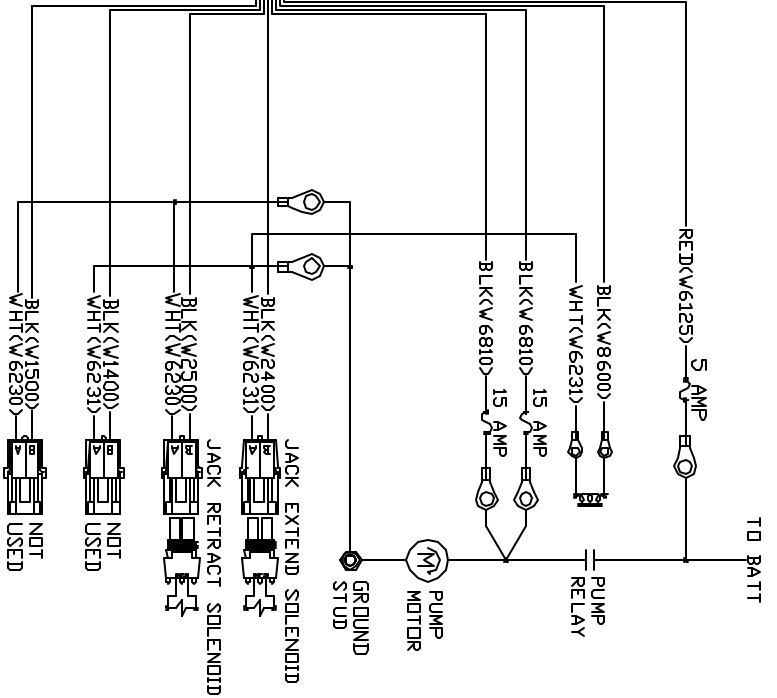
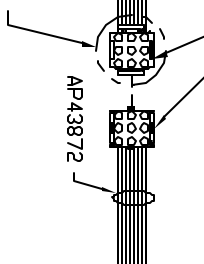
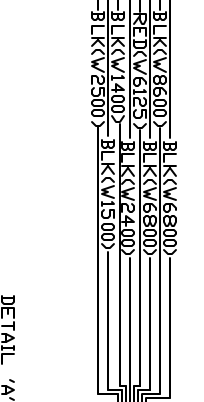
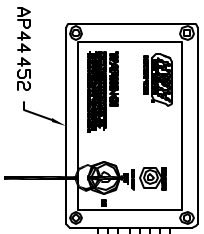


- PIN
1. N/C
  2. BLK(W8600) PUMP CONTROL
  3. RED(W6125) BATTERY
  4. BLK(W6810) SW. BATTERY
  5. BLK(W6810) SW. BATTERY
  6. BLK(W2400) JACK EXTEND
  7. BLK(W1400) NDT USED
  8. BLK(W1500) NDT USED
  9. BLK(W2500) JACK RETRACT



NOTE: INSTALLATION MUST CONFORM TO GOOD SHOP PRACTICES, SAE STANDARDS, RVIA STANDARDS, AND OTHER APPLICABLE STANDARDS.

NO.		DATE	REVISION
NO.		DATE	REVISION
NO.		DATE	REVISION
NO.		DATE	REVISION
THE INFORMATION DISCLOSED IN THIS DRAWING IS CONFIDENTIAL AND MUST NOT BE DISCLOSED OR USED IN ANY MANNER WHICH WILL BE DETRIMENTAL TO THE HWH CORPORATION			
SCALE 1:3		DATE 27MAY10	DRAWN BY
HWH		1-80 EXT 267 SOUTH RT 1 MOSCOW, IOWA 52760	
SYSTEM SCHEMATIC ELEC			
DRAWING NUMBER			MP904850