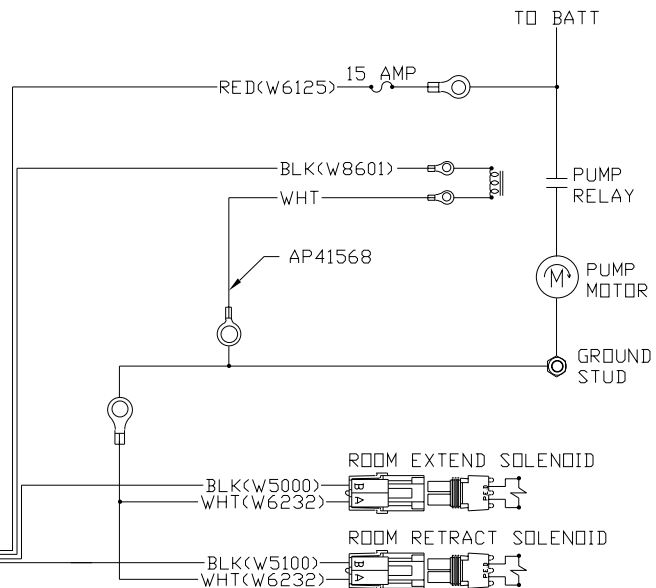


DETAIL 'A'

- PIN
1. BLK(W8601) PUMP CONTROL
  2. BLK(W5000) ROOM EXTEND
  3. BLK(W5100) ROOM RETRACT
  4. N/C
  5. N/C
  6. RED(W6125) BATTERY

AP42503

AP42502



			HWH	I-80 EXIT 267 SOUTH RT 1 MOSCOW, IOWA 52760
			SCALE 1:3	DATE 07SEP10
			DRAWN BY .	
			SYSTEM SCHEMATIC ELEC	
NO.	DATE	REVISION	THE INFORMATION DISCLOSED ON THIS DRAWING IS CONFIDENTIAL AND MUST NOT BE DISCLOSED OR USED IN ANY MANNER WHICH WILL BE DETRIMENTAL TO THE HWH CORPORATION	
			DRAWING NUMBER MP905140	

NOTE: INSTALLATION MUST CONFORM TO GOOD SHOP PRACTICES, SAE STANDARDS, RVIA STANDARDS, AND OTHER APPLICABLE STANDARDS.