

- GRAY  
PIN
1. BLK(W5000) ROOM 1 EXTEND
  2. BLK(W5100) ROOM 1 RETRACT
  3. BLK(W5001) ROOM 2 EXTEND
  4. BLK(W5101) ROOM 2 RETRACT
  5. N/C
  6. N/C
  7. N/C
  8. N/C
  9. N/C
  10. N/C
  11. N/C
  12. BLK(W8600) PUMP CONTROL

- GRAY  
PIN
1. RED(W6100) BATTERY
  2. N/C
  3. N/C
  4. N/C

- GREEN  
PIN
1. BLK(W5002) ROOM 3 EXTEND
  2. BLK(W5102) ROOM 3 RETRACT
  3. BLK(W5003) ROOM 4 EXTEND
  4. BLK(W5103) ROOM 4 RETRACT
  5. BLK(W5004) ROOM 5 EXTEND
  6. BLK(W5104) ROOM 5 RETRACT
  7. N/C
  8. N/C
  9. N/C
  10. N/C
  11. N/C
  12. N/C

- BLACK  
PIN
1. BLK(W5000) ROOM 1 EXTEND
  2. BLK(W5100) ROOM 1 RETRACT
  3. RED(W6801) BATTERY
  4. N/C
  5. N/C
  6. N/C
  7. BLK(W5001) ROOM 2 EXTEND
  8. BLK(W5101) ROOM 2 RETRACT
  9. RED(W6801) BATTERY
  10. N/C
  11. N/C
  12. N/C

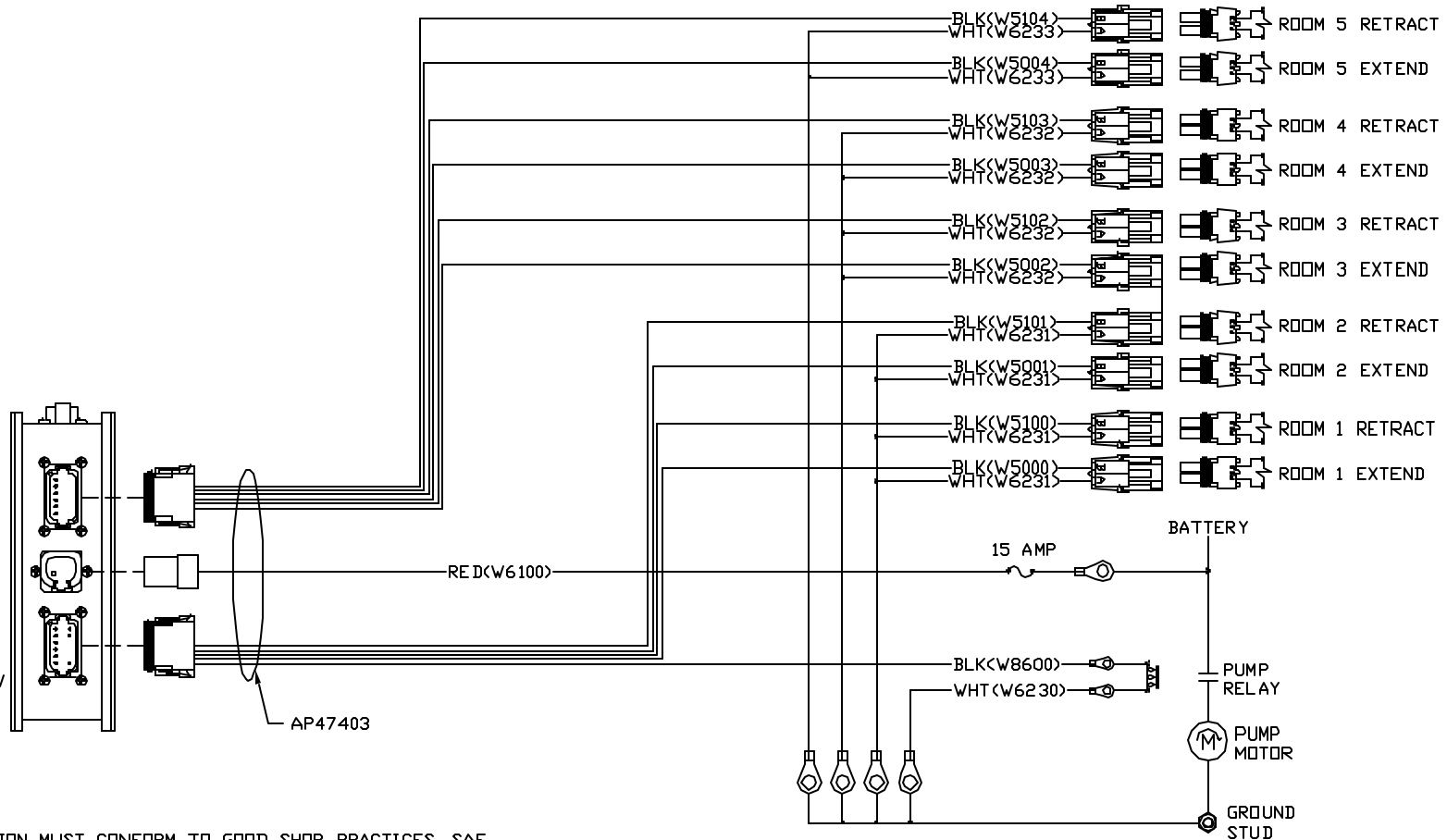
- BLACK  
PIN
1. BLK(W5002) ROOM 3 EXTEND
  2. BLK(W5102) ROOM 3 RETRACT
  3. RED(W6801) BATTERY
  4. BLK(W5004) ROOM 5 EXTEND
  5. BLK(W5104) ROOM 5 RETRACT
  6. N/C
  7. N/C
  8. N/C
  9. N/C
  10. RED(W6801) BATTERY
  11. BLK(W5103) ROOM 4 RETRACT
  12. BLK(W5003) ROOM 4 EXTEND

NOTE: WIRE NUMBERS ON THIS SHEET ARE REFERENCED TO HARNESS PLUGS.

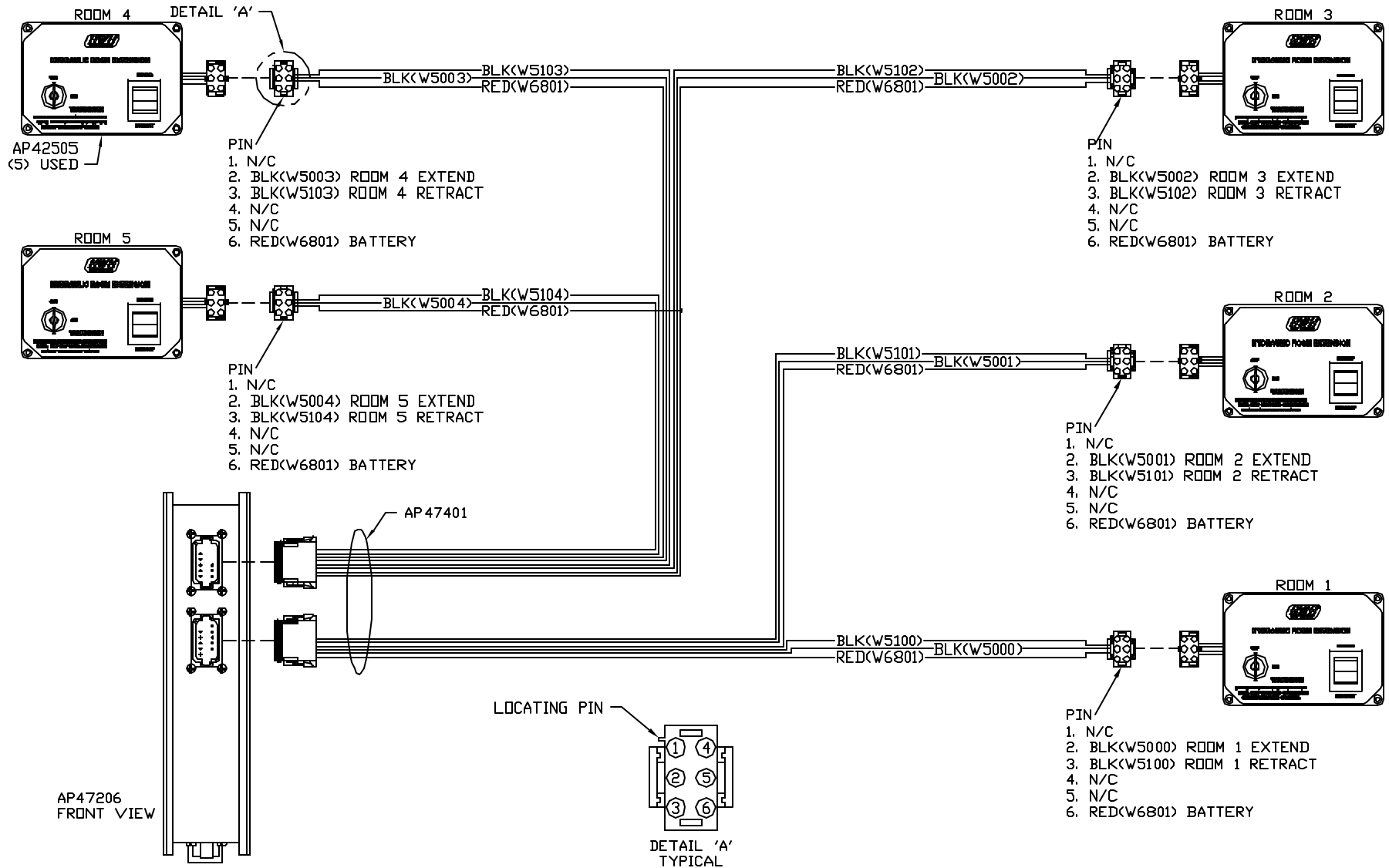
NOTE: INSTALLATION MUST CONFORM TO GOOD SHOP PRACTICES, SAE STANDARDS, RVIA STANDARDS, AND OTHER APPLICABLE STANDARDS.

		HWH		I-80 EXIT 267 SOUTH RT 1 MOSCOW, IOWA 52760	
		SCALE 1:3	DATE 13SEP10	DRAWN BY .	
		SYSTEM SCHEMATIC ELEC			
NO.	DATE	REVISION			
		THE INFORMATION DISCLOSED ON THIS DRAWING IS CONFIDENTIAL AND MUST NOT BE DISCLOSED OR USED IN ANY MANNER WHICH WILL BE DETRIMENTAL TO THE HWH CORPORATION			DRAWING NUMBER MP90515 A/C

AP47206  
LEFT VIEW



NOTE: INSTALLATION MUST CONFORM TO GOOD SHOP PRACTICES, SAE STANDARDS, RVIA STANDARDS, AND OTHER APPLICABLE STANDARDS.



NOTE: INSTALLATION MUST CONFORM TO GOOD SHOP PRACTICES, SAE STANDARDS, RVIA STANDARDS, AND OTHER APPLICABLE STANDARDS.