

AP30202 (BROWN)

- PIN
 1 N/C
 2 BLK(W1500) LEFT FRONT RAISE
 3 BLK(W1600) LEFT FRONT LOWER
 4 BLK(W2500) RIGHT FRONT RAISE
 5 BLK(W2600) RIGHT FRONT LOWER
 6 BLK(W9700) COMPRESSOR
 7 N/C
 8 BLK(W1700) FRONT TRAVEL
 9 N/C
 10 N/C
 11 WHT(W6254) GROUND
 12 N/C

AP30202 (GRAY)

- PIN
 1 RED(W6103) HOUSE BATT
 2 RED(W6103) HOUSE BATT
 3 WHT(W6231) GROUND
 4 WHT(W6231) GROUND

AP30202 (BLACK)

- PIN
 1 N/C
 2 BLK(W4500) LEFT REAR RAISE
 3 BLK(W4600) LEFT REAR LOWER
 4 BLK(W3500) RIGHT REAR RAISE
 5 BLK(W3600) RIGHT REAR LOWER
 6 N/C
 7 BLK(W3700) REAR TRAVEL
 8 N/C
 9 N/C
 10 N/C
 11 WHT(W6258) GROUND
 12 N/C

AP45883 CN1 (BLACK)

- PIN
 1 N/C
 2 N/C
 3 RED(W6800) POWER
 4 WHT(W6230) GROUND
 5 CAN SHIELD
 6 N/C
 7 GREEN CAN LOW
 8 YELLOW CAN HI

AP45883 CN10 (GRAY)

- PIN
 1 BLK(W7599) SWITCH LIGHT CONTROL
 2 RED(W6100) RESET OUT
 3 BLK(W7550) RESET IN
 4 RED(W6121) WARNING LIGHT SUPPLY
 5 WHT(W6230) SWITCH LIGHT SUPPLY
 6 BLK(W7699) WARNING LIGHT CONTROL

AP45883 CN11 (GRAY)

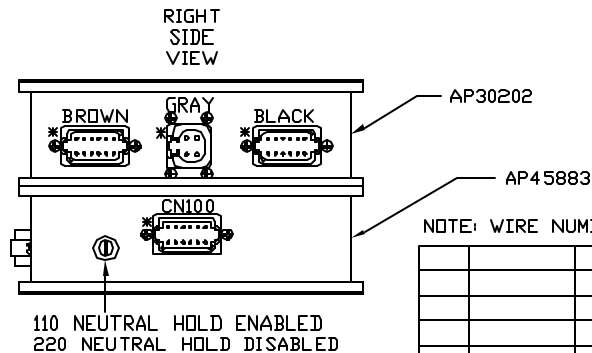
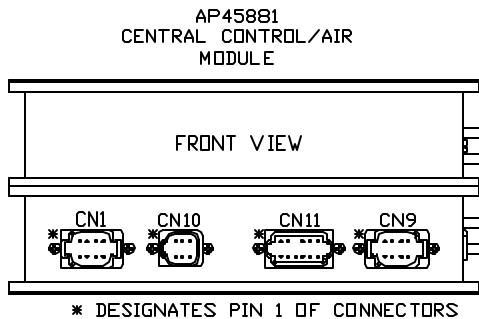
- PIN
 1 RED(W6110) IGNITION
 2 N/C
 3 N/C
 4 N/C
 5 RED(W6120) ACCESSORY
 6 RED(W6100) HOUSE BATTERY
 7 WHT(W6230) GROUND
 8 N/C
 9 N/C
 10 N/C
 11 BLK(W9000) PARK BRAKE SWITCH
 12 RED(W6101) ENGINE BATTERY

AP45883 CN9 (GREEN)

- PIN
 1 N/C
 2 N/C
 3 N/C
 4 N/C
 5 N/C
 6 N/C
 7 N/C
 8 N/C

AP45883 CN100 (GRAY)

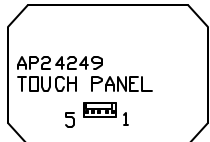
- PIN
 1 N/C
 2 BLK(W1210) LEFT FRONT PSW
 3 BLK(W2210) RIGHT FRONT PSW
 4 BLK(W3210) RIGHT REAR PSW
 5 BLK(W4210) LEFT REAR PSW
 6 WHT(W6231) GROUND
 7 N/C
 8 BLK(W3215) SYSTEM PSW
 9 N/C
 10 N/C
 11 N/C
 12 N/C



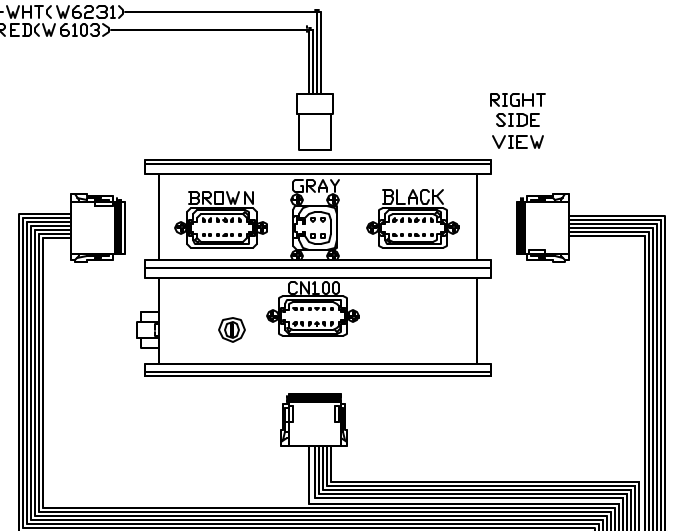
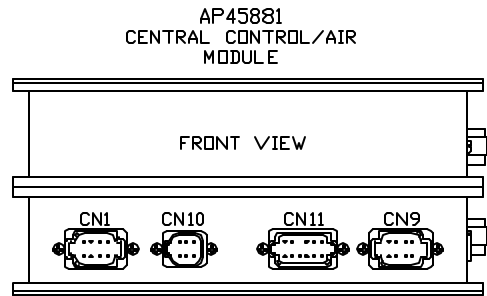
NOTE: WIRE NUMBERS ON THIS SHEET ARE REFERENCED TO HARNESS PLUGS.

		HWH		I-80 EXIT 267 SOUTH RT 1 MOSCOW, IOWA 52760	
		SCALE 1:3	DATE 22APR13	DRAWN BY .	
		SYSTEM SCHEMATIC ELEC			
NO.	DATE	REVISION			
		THE INFORMATION DISCLOSED ON THIS DRAWING IS CONFIDENTIAL AND MUST NOT BE DISCLOSED OR USED IN ANY MANNER WHICH WILL BE DETRIMENTAL TO THE HWH CORPORATION			DRAWING NUMBER MP90858 A/F

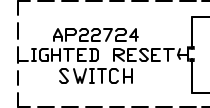
NOTE: INSTALLATION MUST CONFORM TO GOOD SHOP PRACTICES, SAE STANDARDS, RVIA STANDARDS, AND OTHER APPLICABLE STANDARDS.



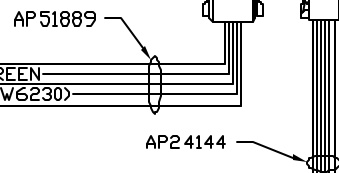
- PIN
- 1 YELLOW CAN HI
 - 2 GREEN CAN LOW
 - 3 CAN SHIELD
 - 4 WHT(W6230) GROUND
 - 5 RED(W6800) POWER



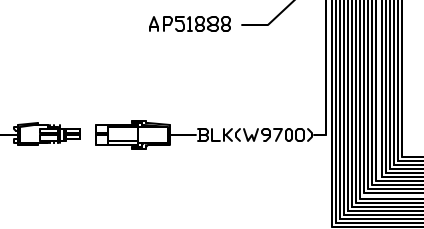
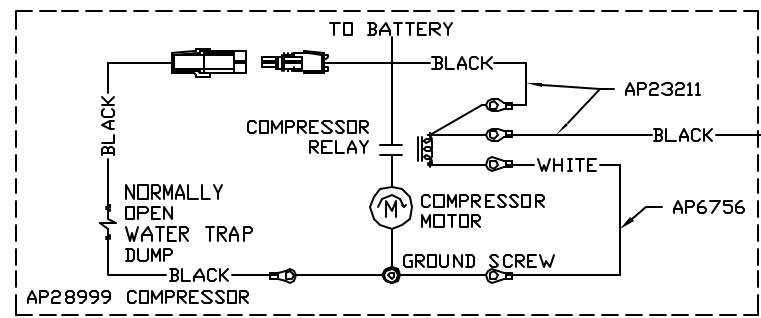
NOTE: AP22724 IS PART OF AP25766



- WARN LIGHT
- BLK(W7699)
- RED(W6121)
- BLK(W7550)
- BLK(W7599)
- WHT(W6230)
- RED(W6100)

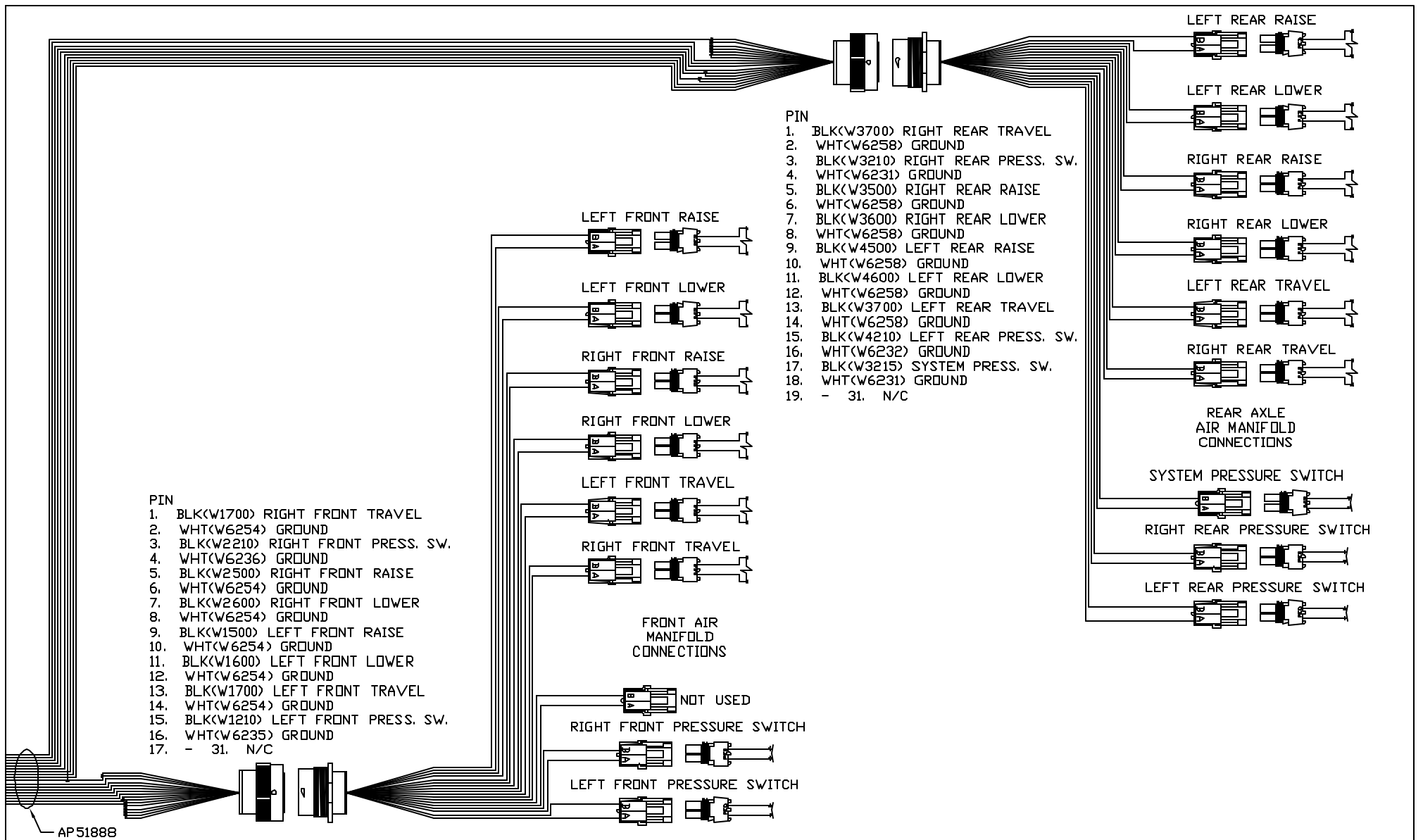


- RED(W6103) TO HOUSE BATT.
- WHT(W6231) TO GROUND
- RED(W6110) TO IGNITION
- RED(W6120) TO ACCESSORY
- WHT(W6230) TO GROUND
- RED(W6102) TO ENGINE BATT.
- BLK(W6100) TO HOUSE BATT.
- BLK(W9000) TO PARK BRAKE



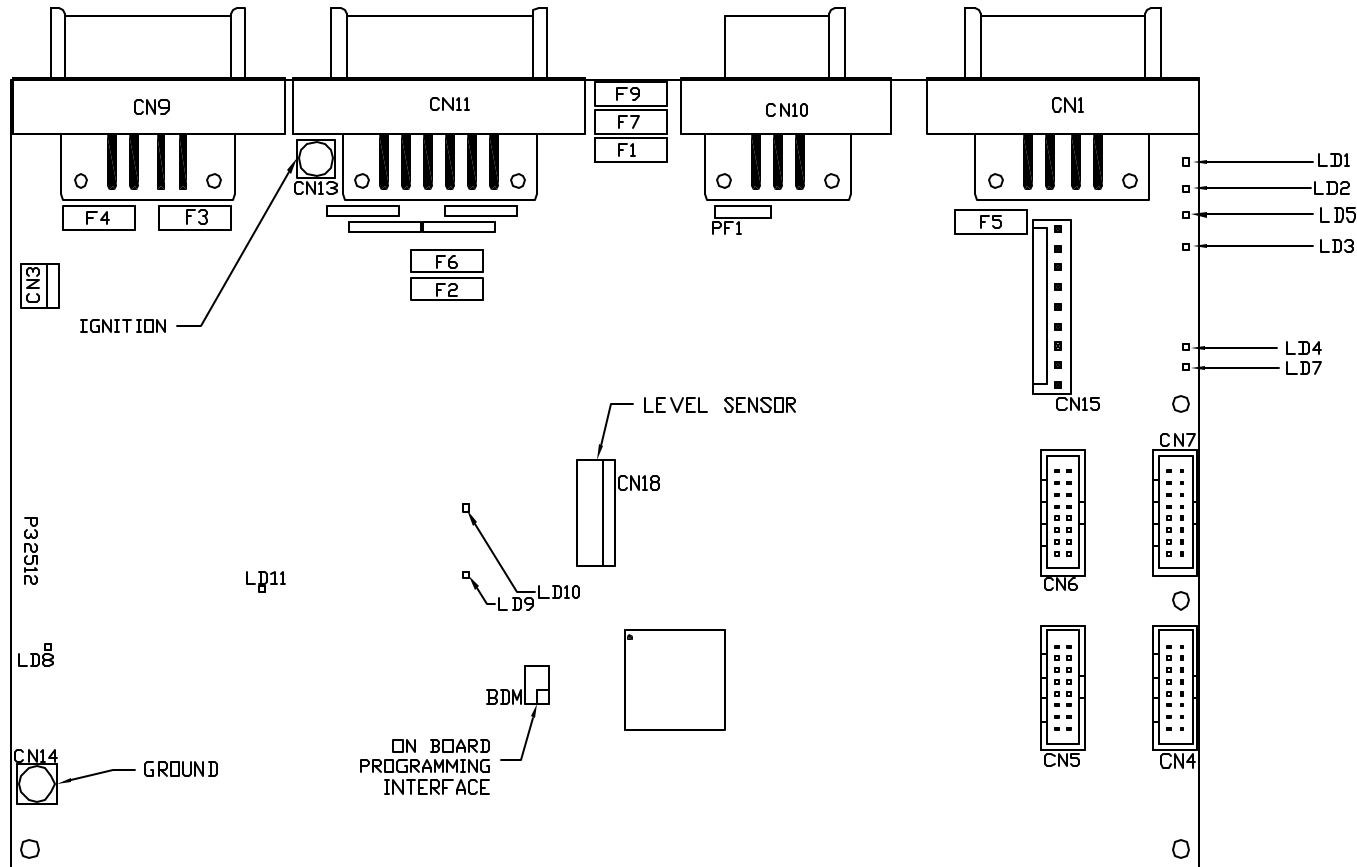
NOTE: INSTALLATION MUST CONFORM TO GOOD SHOP PRACTICES, SAE STANDARDS, RVIA STANDARDS, AND OTHER APPLICABLE STANDARDS.

MP90858 B
22APR13



NOTE: INSTALLATION MUST CONFORM TO GOOD SHOP PRACTICES, SAE STANDARDS, RVIA STANDARDS, AND OTHER APPLICABLE STANDARDS.

MP90858 C
22APR13



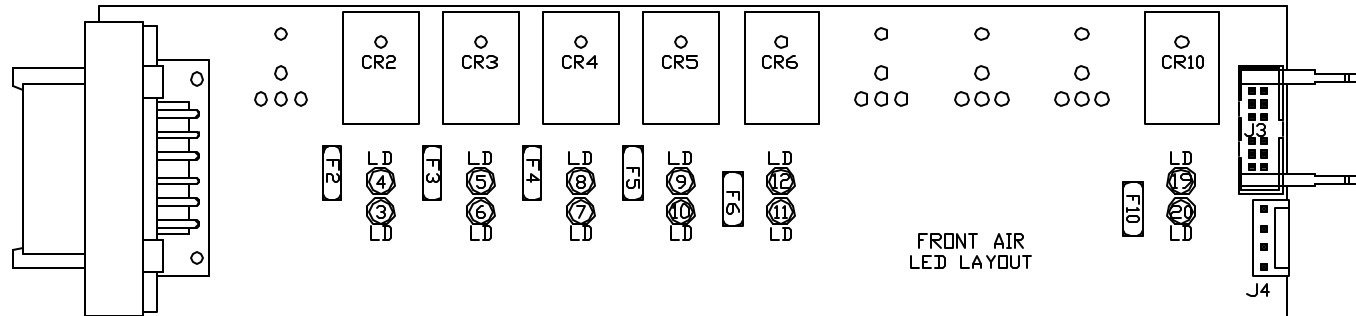
CENTRAL
CONTROL MODULE
LED LAYOUT

LED #	CONNECTOR	COLOR	DESCRIPTION
LED 1	NOT USED	RED	NOT USED
LED 2	NOT USED	RED	NOT USED
LED 3	CN 1 PIN 3	RED	SW 12V
LED 4	CN 11 PIN 12	RED	ENGINE BATT
LED 5	NOT USED	RED	NOT USED
LED 7	CN 1 PIN 7 & 8	RED	LINK LIGHT
LED 8	NOT USED	RED	NOT USED
LED 9	NOT USED	NOT USED	NOT USED
LED 10	NOT USED	RED	NOT USED
LED 11	CN11 PIN 11	RED	PARK BRAKE

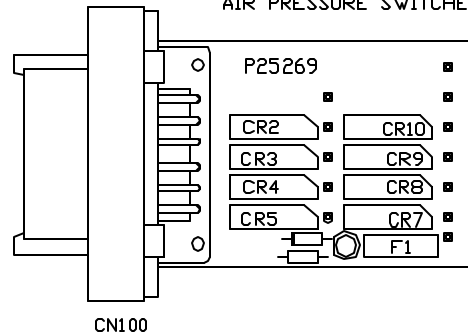
FUSE #	DESCRIPTION
PF1	RESET OUT
F1	IGNITION
F2	HOUSE BATTERY
F3	MASTER RELAY
F4	PUMP RELAY
F5	SW. BATT TO CAN MODULES
F6	ENGINE BATTERY
F7	ACCESSORY
F9	POWER TO CN100

NOTE: INSTALLATION MUST CONFORM TO GOOD SHOP PRACTICES, SAE STANDARDS, RVIA STANDARDS, AND OTHER APPLICABLE STANDARDS.

LED #	COLOR	INPUT J3	FUSE #	OUTPUT	RELAY #	DESCRIPTION
LED3	RED	---	FUSE 2	PIN 2	CR2	LEFT FRONT RAISE (CONTACT)
LED4	YELLOW	PIN 12	---	---	CR2	LEFT FRONT RAISE (COIL)
LED5	YELLOW	PIN 11	---	---	CR3	LEFT FRONT LOWER (COIL)
LED6	RED	---	FUSE 3	PIN 3	CR3	LEFT FRONT LOWER (CONTACT)
LED7	RED	---	FUSE 4	PIN 4	CR4	RIGHT FRONT RAISE (CONTACT)
LED8	YELLOW	PIN 10	---	---	CR4	RIGHT FRONT RAISE (COIL)
LED9	YELLOW	PIN 9	---	---	CR5	RIGHT FRONT LOWER (COIL)
LED10	RED	---	FUSE 5	PIN 5	CR5	RIGHT FRONT LOWER (CONTACT)
LED11	RED	---	FUSE 6	PIN 6	CR6	COMPRESSOR (CONTACT)
LED12	YELLOW	PIN 8	---	---	CR6	COMPRESSOR (COIL)
LED19	YELLOW	PIN 4	---	---	CR10	TRAVEL (COIL)
LED20	RED	---	FUSE 10	PIN 8	CR10	TRAVEL (CONTACT)

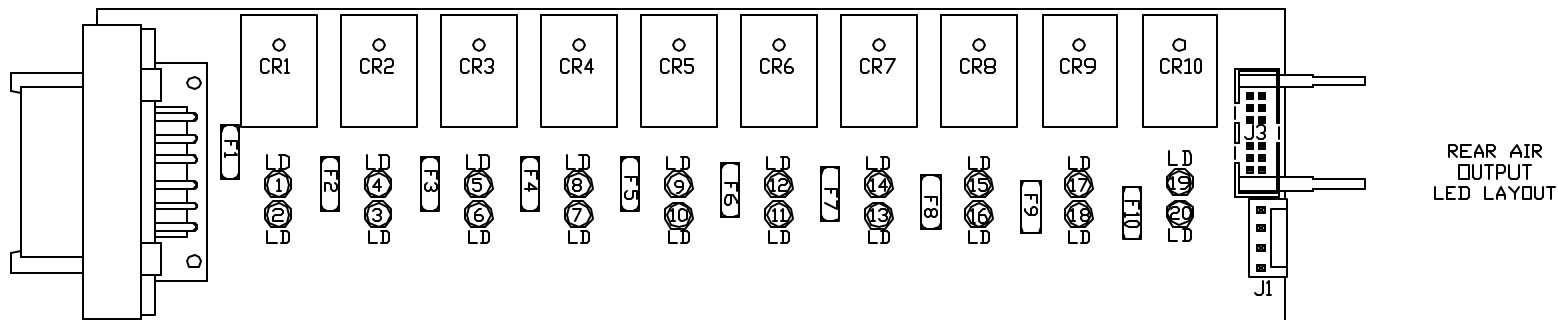


FRONT AND REAR
AIR PRESSURE SWITCHES



CONNECTOR	REED SWITCH	DESCRIPTION
CN 100 PIN 1	---	NOT USED
CN 100 PIN 2	CR2	LEFT FRONT PSW
CN 100 PIN 3	CR3	RIGHT FRONT PSW
CN 100 PIN 4	CR4	RIGHT REAR PSW
CN 100 PIN 5	CR5	LEFT REAR PSW
CN 100 PIN 6	---	GROUND
CN 100 PIN 7	---	NOT USED
CN 100 PIN 8	CR7	SYSTEM PSW
CN 100 PIN 9	CR8	NOT USED
CN 100 PIN 10	CR9	NOT USED
CN 100 PIN 11	CR10	NOT USED
CN 100 PIN 12	---	NOT USED

NOTE: INSTALLATION MUST CONFORM TO GOOD SHOP PRACTICES, SAE STANDARDS, RVIA STANDARDS, AND OTHER APPLICABLE STANDARDS.



LED #	COLOR	INPUT J3	FUSE #	OUTPUT	RELAY #	DESCRIPTION
LED1	YELLOW	PIN 13	---	---	CR1	NOT USED
LED2	RED	---	FUSE 1	PIN 1	CR1	NOT USED
LED3	RED	---	FUSE 2	PIN 2	CR2	LEFT REAR RAISE (CONTACT)
LED4	YELLOW	PIN 12	---	---	CR2	LEFT REAR RAISE (COIL)
LED5	YELLOW	PIN 11	---	---	CR3	LEFT REAR LOWER (COIL)
LED6	RED	---	FUSE 3	PIN 3	CR3	LEFT REAR LOWER (CONTACT)
LED7	RED	---	FUSE 4	PIN 4	CR4	RIGHT REAR RAISE (CONTACT)
LED8	YELLOW	PIN 10	---	---	CR4	RIGHT REAR RAISE (COIL)
LED9	YELLOW	PIN 9	---	---	CR5	RIGHT REAR LOWER (COIL)
LED10	RED	---	FUSE 5	PIN 5	CR5	RIGHT REAR LOWER (CONTACT)
LED11	RED	---	FUSE 6	PIN 6	CR6	NOT USED
LED12	YELLOW	PIN 8	---	---	CR6	NOT USED
LED13	RED	---	FUSE 7	PIN 10	CR7	NOT USED
LED14	YELLOW	PIN 7	---	---	CR7	NOT USED
LED15	YELLOW	PIN 6	---	---	CR8	NOT USED
LED16	RED	---	FUSE 8	PIN 9	CR8	NOT USED
LED17	YELLOW	PIN 5	---	---	CR9	NOT USED
LED18	RED	---	FUSE 9	PIN 7	CR9	NOT USED
LED19	YELLOW	PIN 4	---	---	CR10	TRAVEL (COIL)
LED20	RED	---	FUSE 10	PIN 8	CR10	TRAVEL (CONTACT)

NOTE: INSTALLATION MUST CONFORM TO GOOD SHOP PRACTICES, SAE STANDARDS, RVIA STANDARDS, AND OTHER APPLICABLE STANDARDS.

MP90858 F
22APR13