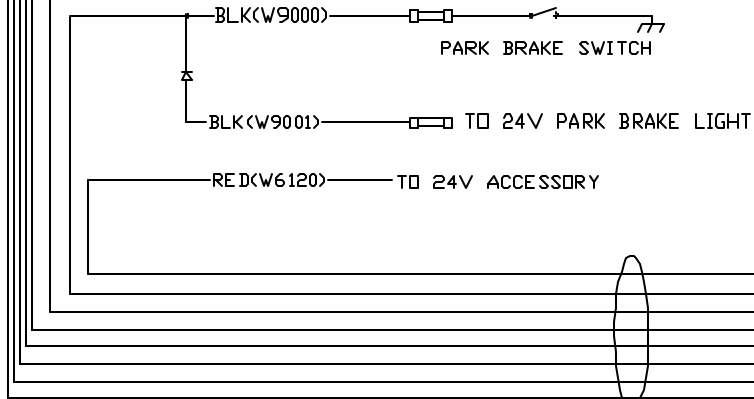
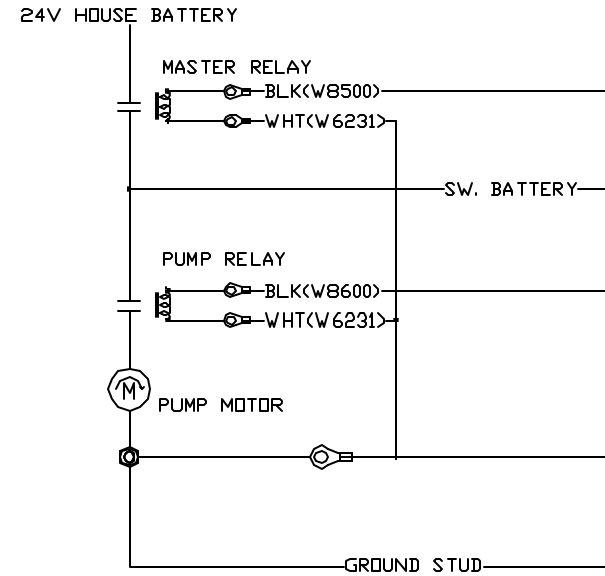
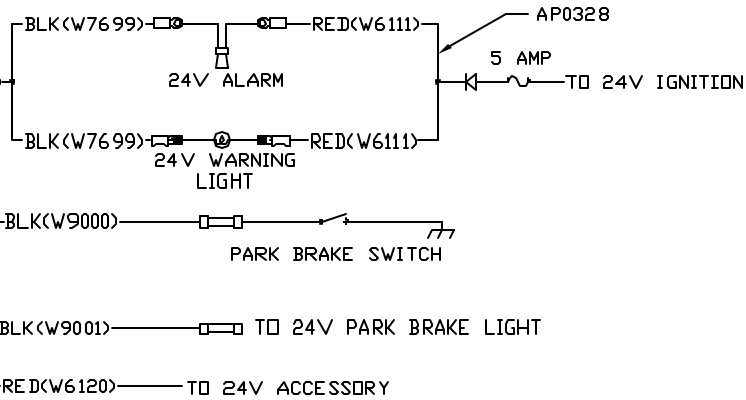
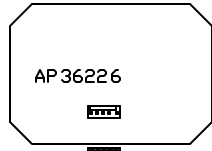


- PIN
1. YELLOW CAN HIGH
 2. GREEN CAN LOW
 3. CAN SHIELD
 4. WHT(W6230) GROUND
 5. RED(W6800) 24V POWER

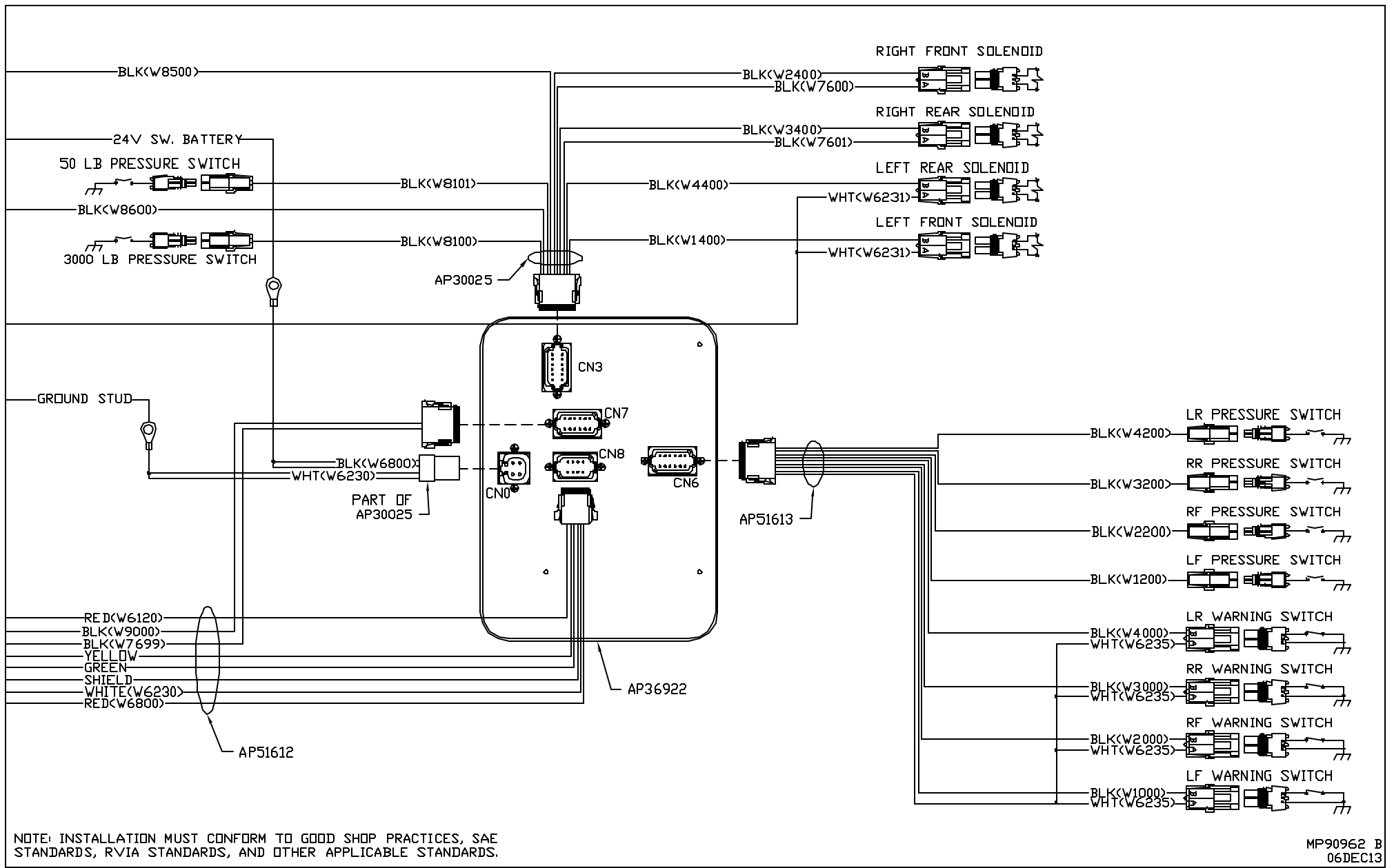


AP51612

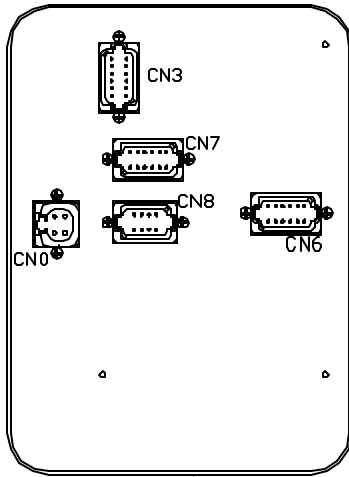
RED(W6120)
 BLK(W9000)
 BLK(W7699)
 YELLOW
 GREEN
 SHIELD
 WHITE(W6230)
 RED(W6800)

NOTE: INSTALLATION MUST CONFORM TO GOOD SHOP PRACTICES, SAE STANDARDS, RVIA STANDARDS, AND OTHER APPLICABLE STANDARDS.

| | | | | | |
|-----|------|--|--------------|--|--|
| | | HWH | | I-80 EXIT 267 SOUTH RT 1 MOSCOW, IOWA 52760 | |
| | | SCALE 1:3 | DATE 06DEC13 | DRAWN BY . | |
| | | SYSTEM SCHEMATIC ELEC | | | |
| NO. | DATE | REVISION | | | |
| | | THE INFORMATION DISCLOSED ON THIS DRAWING IS CONFIDENTIAL AND MUST NOT BE DISCLOSED OR USED IN ANY MANNER WHICH WILL BE DETRIMENTAL TO THE HWH CORPORATION | | | |
| | | | | DRAWING NUMBER MP90962 A/D | |



NOTE: INSTALLATION MUST CONFORM TO GOOD SHOP PRACTICES, SAE STANDARDS, RVIA STANDARDS, AND OTHER APPLICABLE STANDARDS.



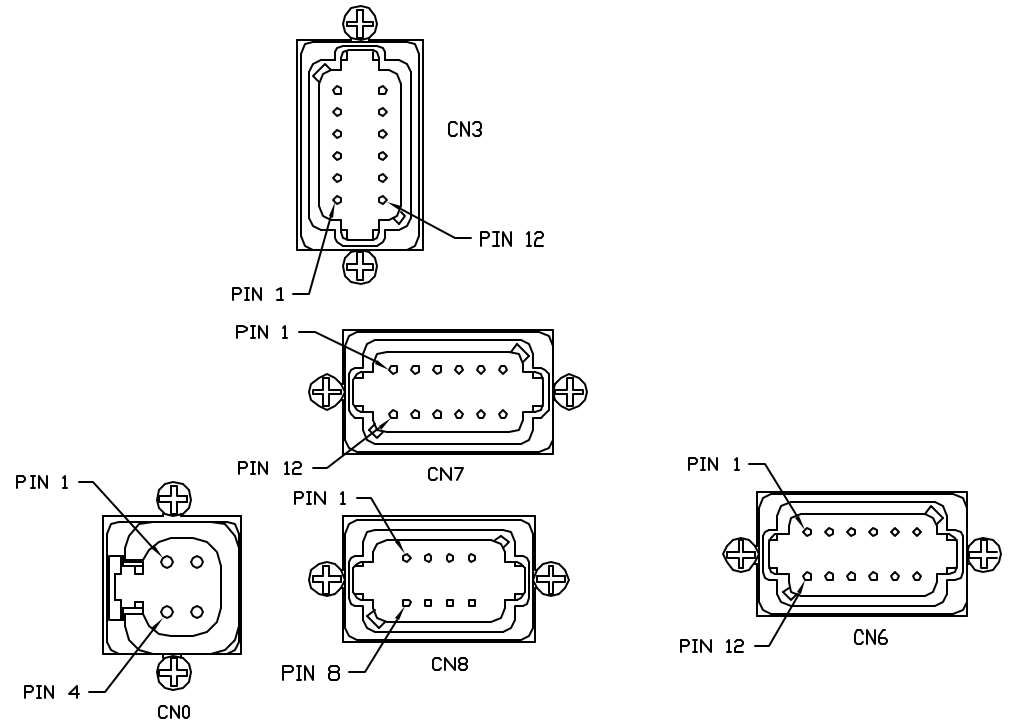
AP36922

- CN3 (BROWN)
PIN
- 1 BLK(W8500) MASTER RELAY CONTROL
 - 2 BLK(W8100) 3000 LB PRESS SW
 - 3 BLK(W8101) 50 LB PRESS SW
 - 4 N/C
 - 5 BLK(W1400) LF SOLENOID
 - 6 BLK(W7600) CRX 1
 - 7 BLK(W7601) CRX 2
 - 8 BLK(W4400) LR SOLENOID
 - 9 BLK(W3400) RR SOLENOID
 - 10 BLK(W2400) RF SOLENOID
 - 11 N/C
 - 12 BLK(W8600) PUMP RELAY CONTROL

- CN7 (BLACK)
PIN
- 1 N/C
 - 2 N/C
 - 3 N/C
 - 4 N/C
 - 5 N/C
 - 6 N/C
 - 7 BLK(W9000) PARK BRAKE
 - 8 N/C
 - 9 N/C
 - 10 N/C
 - 11 BLK(W7699) WARN/ALARM CONTROL
 - 12 N/C

- CN8 (BLACK)
PIN
- 1 N/C
 - 2 N/C
 - 3 RED(W6800) 24V POWER TO TOUCH PANEL
 - 4 WHT(W6230) GROUND
 - 5 CAN SHIELD
 - 6 RED(W6120) 24V ACCESSORY
 - 7 GREEN
 - 8 YELLOW

- CN0 (GRAY)
PIN
- 1 BLK(W6800) 24V SW BATT
 - 2 BLK(W6800) 24V SW BATT
 - 3 WHT(W6230) GROUND
 - 4 WHT(W6230) GROUND

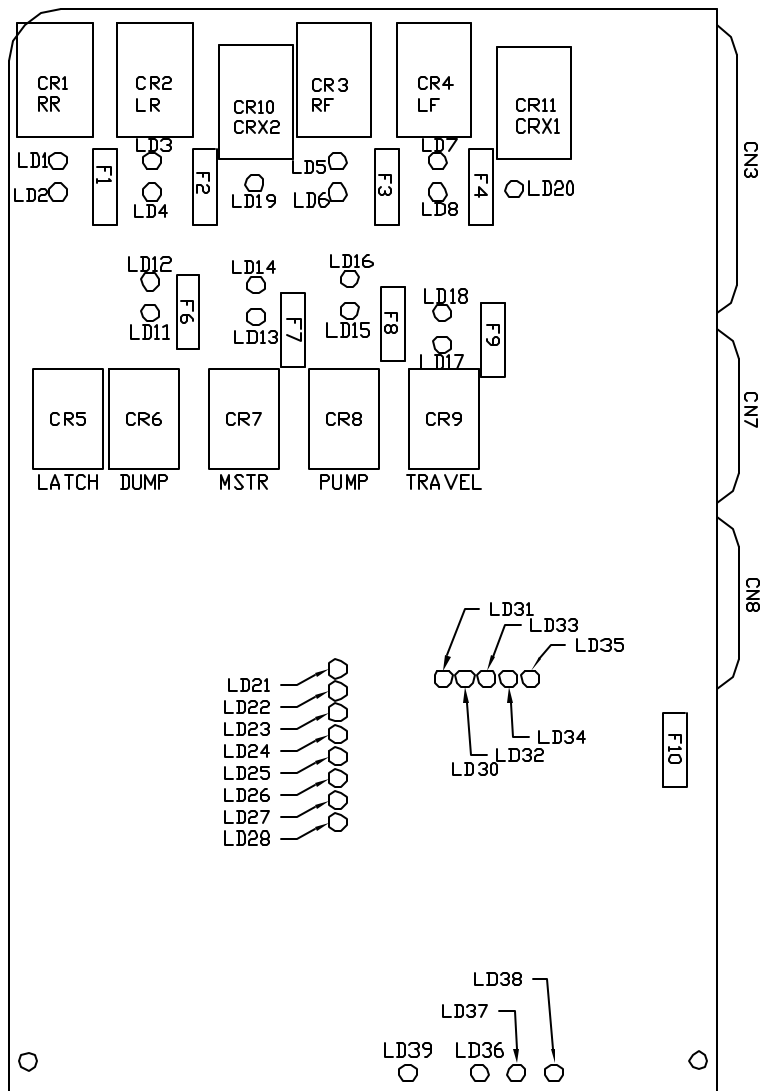


NOTE: WIRE NUMBERS ON THIS SHEET ARE REFERENCED TO HARNESS PLUGS.

- CN6 (GRAY)
PIN
- 1 N/C
 - 2 N/C
 - 3 BLK(W1000) LF WARN SW
 - 4 BLK(W2000) RF WARN SW
 - 5 BLK(W1200) LF PRESS SW
 - 6 BLK(W2200) RF PRESS SW
 - 7 BLK(W3200) RR PRESS SW
 - 8 BLK(W4200) LR PRESS SW
 - 9 BLK(W3000) RR WARN SW
 - 10 BLK(W4000) LR WARN SW
 - 11 N/C
 - 12 WHT(W6235) GROUND

NOTE: INSTALLATION MUST CONFORM TO GOOD SHOP PRACTICES, SAE STANDARDS, RVIA STANDARDS, AND OTHER APPLICABLE STANDARDS.

MP90962 C
06DEC13



| LED # | COLOR | DESCRIPTION |
|--------|--------|------------------------|
| LED 1 | YELLOW | RR COIL |
| LED 2 | RED | RR CONTACT |
| LED 3 | YELLOW | LR COIL |
| LED 4 | RED | LR CONTACT |
| LED 5 | YELLOW | RF COIL |
| LED 6 | RED | RF CONTACT |
| LED 7 | YELLOW | LF COIL |
| LED 8 | RED | LF CONTACT |
| LED 11 | YELLOW | DUMP COIL |
| LED 12 | RED | DUMP CONTACT |
| LED 13 | YELLOW | MASTER RELAY COIL |
| LED 14 | RED | MASTER RELAY CONTACT |
| LED 15 | YELLOW | PUMP COIL |
| LED 16 | RED | PUMP CONTACT |
| LED 17 | YELLOW | TRAVEL COIL |
| LED 18 | RED | TRAVEL CONTACT |
| LED 19 | YELLOW | CRX 2 |
| LED 20 | YELLOW | CRX 1 |
| LED 21 | YELLOW | LF WARN SW |
| LED 22 | YELLOW | RF WARN SW |
| LED 23 | YELLOW | RR WARN SW |
| LED 24 | YELLOW | LR WARN SW |
| LED 25 | RED | LF PRESS SW |
| LED 26 | RED | RF PRESS SW |
| LED 27 | RED | RR PRESS SW |
| LED 28 | RED | LR PRESS SW |
| LED 31 | GREEN | 3000 LB PSW INPUT |
| LED 32 | RED | MASTER WARNING CONTROL |
| LED 33 | GREEN | 50 LB PSW INPUT |
| LED 34 | RED | JACK INTERRUPT |
| LED 35 | RED | PARK BRAKE |
| LED 36 | RED | BOARD ENABLED |
| LED 37 | RED | ACCESSORY IN |
| LED 38 | RED | ACCESSORY OUT |
| LED 39 | RED | LINK LIGHT |

| FUSE | RATING | DESCRIPTION |
|------|--------|---------------|
| F1 | 15 AMP | RR OUTPUT |
| F2 | 15 AMP | LR OUTPUT |
| F3 | 15 AMP | RF OUTPUT |
| F4 | 15 AMP | LF OUTPUT |
| F6 | 5 AMP | DUMP OUTPUT |
| F7 | 5 AMP | MASTER OUTPUT |
| F8 | 5 AMP | PUMP OUTPUT |
| F9 | 5 AMP | TRAVEL OUTPUT |
| F10 | 10 AMP | ACC INPUT |

NOTE: INSTALLATION MUST CONFORM TO GOOD SHOP PRACTICES, SAE STANDARDS, RVIA STANDARDS, AND OTHER APPLICABLE STANDARDS.