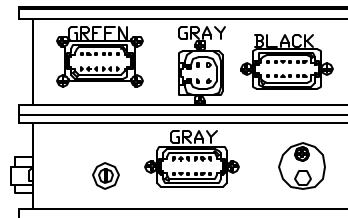
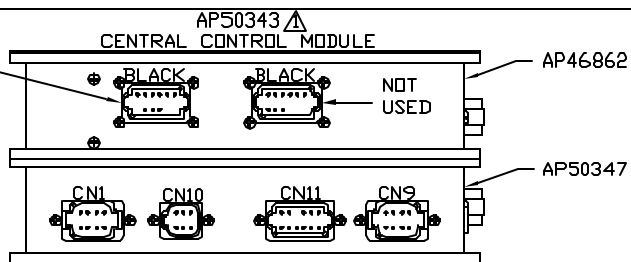


- AP46862 (BLACK)
PIN
1. BLK(W6810) SW. BATT ROOM 1
 2. BLK(W5000) EXTEND ROOM 1
 3. BLK(W5100) RETRACT ROOM 1
 4. BLK(W6811) SW. BATT ROOM 2
 5. BLK(W5001) EXTEND ROOM 2
 6. BLK(W5101) RETRACT ROOM 2
 7. N/C
 8. N/C (KEY PIN)
 9. N/C
 10. BLK(W8601) PUMP
 11. RED(W6100) BATTERY
 12. N/C (KEY PIN)



- AP46862 (GRAY)
PIN
1. BLK(W6800) SWITCHED BATT
 2. BLK(W6800) SWITCHED BATT
 3. WHT(W6230) GROUND
 4. WHT(W6230) GROUND

- AP46862 (GREEN)
PIN
1. BLK(W5150) CYLINDER RET. ROOM 1
 2. BLK(W5050) CYLINDER EXT. ROOM 1
 3. BLK(W5151) CYLINDER RET. ROOM 2
 4. BLK(W5051) CYLINDER EXT. ROOM 2
 5. BLK(W5152) NOT USED
 6. BLK(W5052) NOT USED
 7. BLK(W5153) NOT USED
 8. BLK(W5053) NOT USED
 9. BLK(W6810) SW. BATTERY
 10. BLK(W6810) SW. BATTERY
 11. BLK(W6810) SW. BATTERY
 12. BLK(W6810) SW. BATTERY

- AP46862 (BLACK)
PIN
1. BLK(W1400) LEFT FRONT EXTEND
 2. BLK(W1500) LEFT FRONT RETRACT
 3. BLK(W2400) RIGHT FRONT EXTEND
 4. BLK(W2500) RIGHT FRONT RETRACT
 5. BLK(W4400) LEFT REAR EXTEND
 6. BLK(W4500) LEFT REAR RETRACT
 7. BLK(W3400) RIGHT REAR EXTEND
 8. BLK(W3500) RIGHT REAR RETRACT
 9. BLK(W9300) DUMP
 10. BLK(W9301) TRAVEL
 11. N/C
 12. N/C

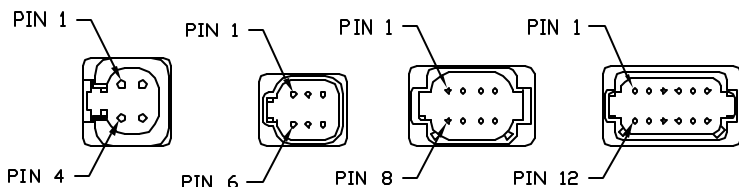
- AP50347 (GRAY)
PIN
1. BLK(W1000) LEFT FRONT WARN. SW.
 2. BLK(W2000) RIGHT FRONT WARN. SW.
 3. BLK(W3000) RIGHT REAR WARN. SW.
 4. BLK(W4000) LEFT REAR WARN. SW.
 5. N/C
 6. WHT(W6235) GROUND
 7. N/C
 8. BLK(W2200) RIGHT FRONT PRESS. SW.
 9. BLK(W4200) LEFT REAR PRESS. SW.
 10. BLK(W3200) RIGHT REAR PRESS. SW.
 11. N/C
 12. BLK(W1200) LEFT FRONT PRESS. SW.

- AP50347 CN1 (BLACK)
PIN
1. N/C
 2. N/C
 3. RED(W6800) SW. POWER
 4. WHT(W6230) GROUND
 5. CAN SHIELD
 6. N/C
 7. GREEN CAN LOW
 8. YELLOW CAN HI

- AP50347 CN10 (GRAY)
PIN
1. BLK(W7599) SWITCH LIGHT CONTROL
 2. RED(W6100) RESET OUT
 3. BLK(W7550) RESET IN
 4. RED(W6121) WARN LIGHT SUPPLY
 5. WHT(W6230) SWITCH LIGHT SUPPLY
 6. BLK(W7699) WARN LIGHT/ALARM CONTROL

- AP50347 CN11 (GRAY)
PIN
1. RED(W6110) IGNITION
 2. N/C
 3. N/C
 4. N/C
 5. RED(W6110) IGNITION
 6. RED(W6100) BATTERY
 7. WHT(W6230) GROUND
 8. N/C
 9. N/C
 10. N/C
 11. BLK(W9000) PARK BRAKE SWITCH
 12. RED(W6100) BATTERY

- AP50347 CN9 (GREEN)
PIN
1. BLK(W8500) MASTER RELAY CONTROL
 2. BLK(W8100) SYSTEM PRESS. SWITCH
 3. N/C
 4. BLK(W8600) PUMP RELAY CONTROL
 5. N/C
 6. BLK(W9901) PUMP MONITOR
 7. N/C
 8. N/C

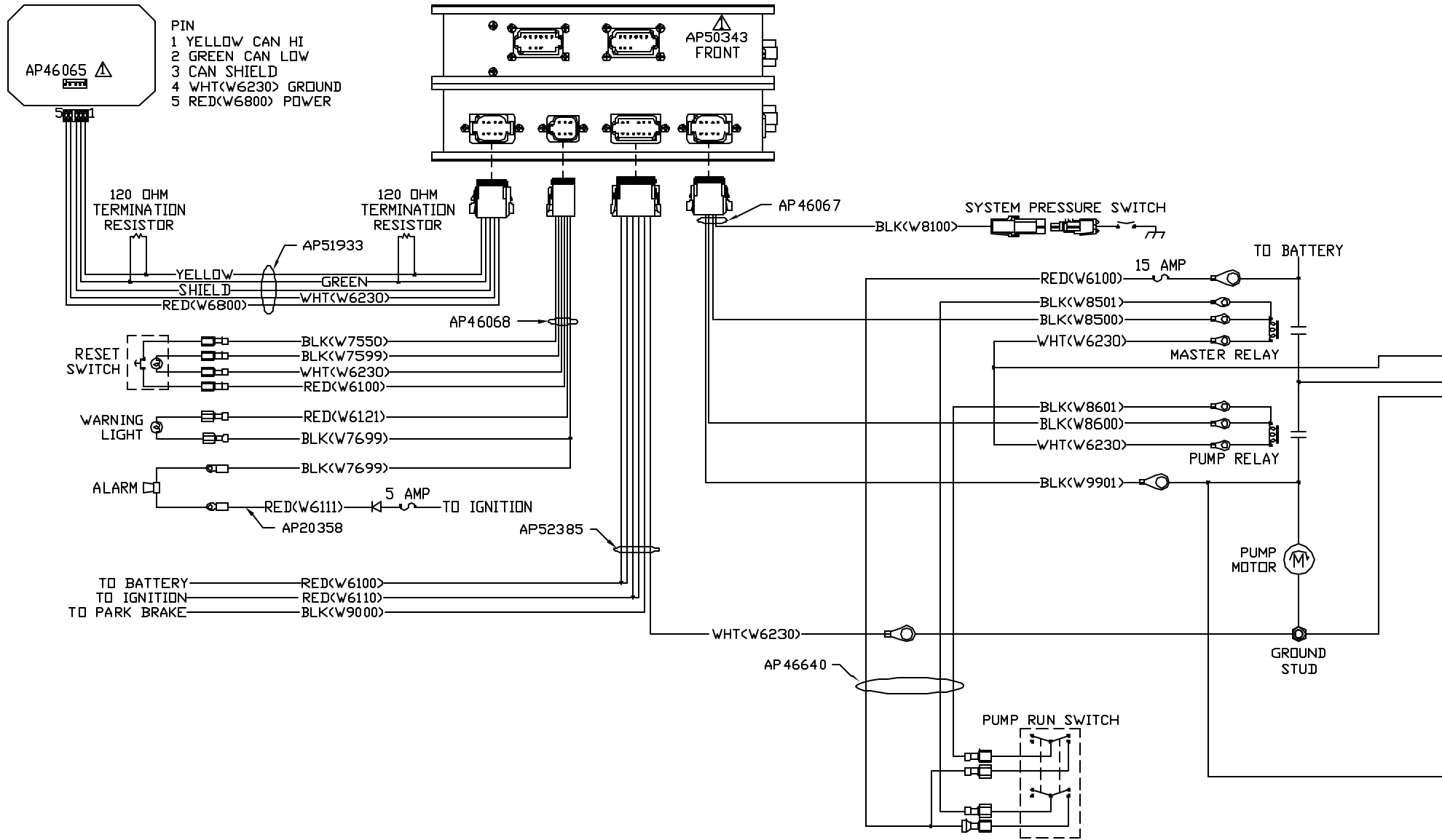


NOTE: DEUTSCH PIN NUMBERS TYPICAL UNLESS OTHERWISE NOTED
NOTE: WIRE NUMBERS ON THIS SHEET ARE REFERENCED TO HARNESS PLUGS.

NOTE: INSTALLATION MUST CONFORM TO GOOD SHOP PRACTICES, SAE STANDARDS, RVIA STANDARDS, AND OTHER APPLICABLE STANDARDS.

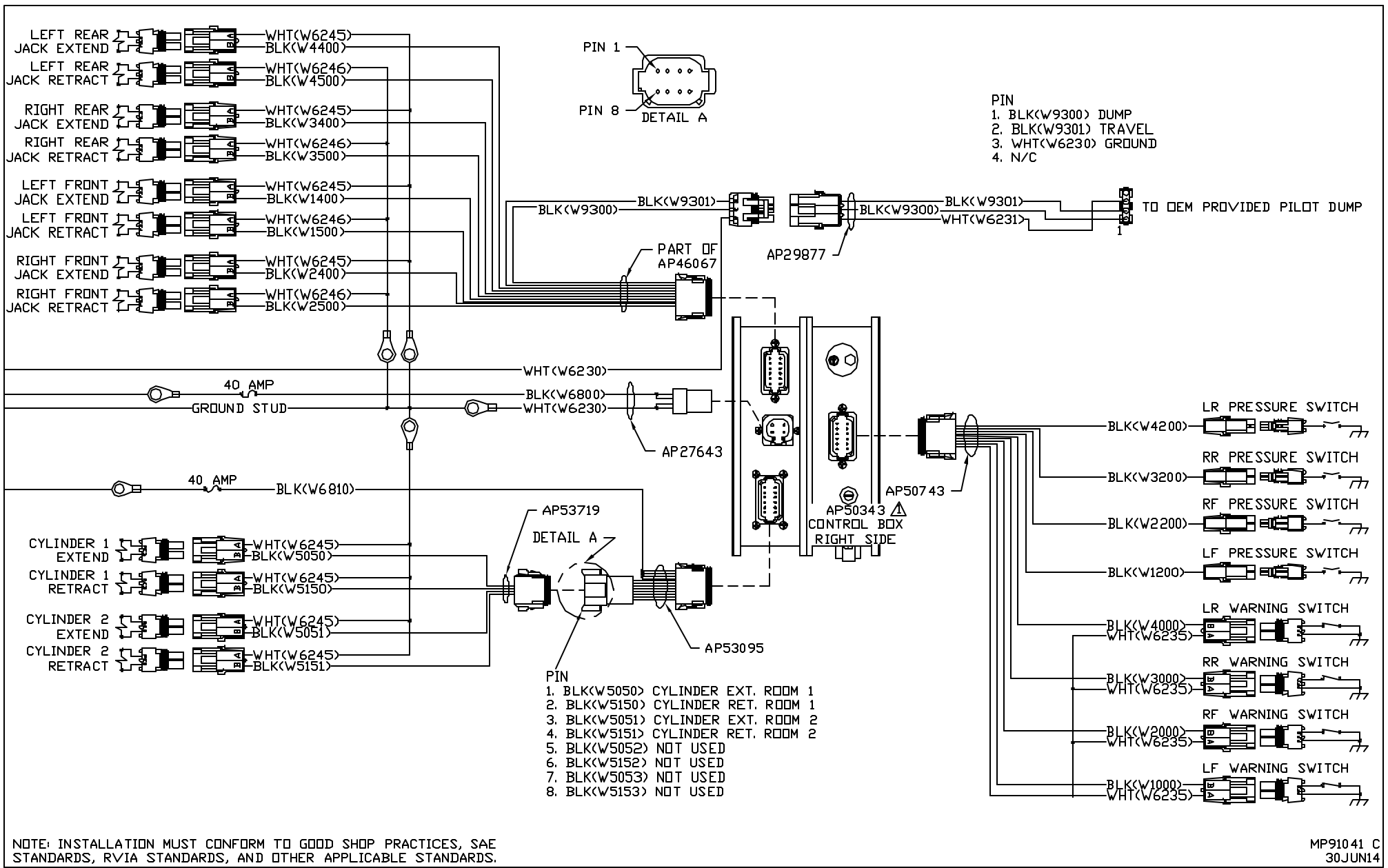
| | | | | | |
|--|---------|----------------------|--------------|--|-------------------------------|
| | | HWH | | I-80 EXIT 267 SOUTH RT 1 MOSCOW, IOWA 52760 | |
| | | SCALE 1:3 | DATE 03JUN14 | DRAWN BY . | |
| ⚠ | 30JUN14 | WAS AP47285, AP46915 | | | |
| NO. | DATE | REVISION | | | |
| THE INFORMATION DISCLOSED ON THIS DRAWING IS CONFIDENTIAL AND MUST NOT BE DISCLOSED OR USED IN ANY MANNER WHICH WILL BE DETRIMENTAL TO THE HWH CORPORATION | | | | | |
| | | | | | DRAWING NUMBER MP91041 A/F |

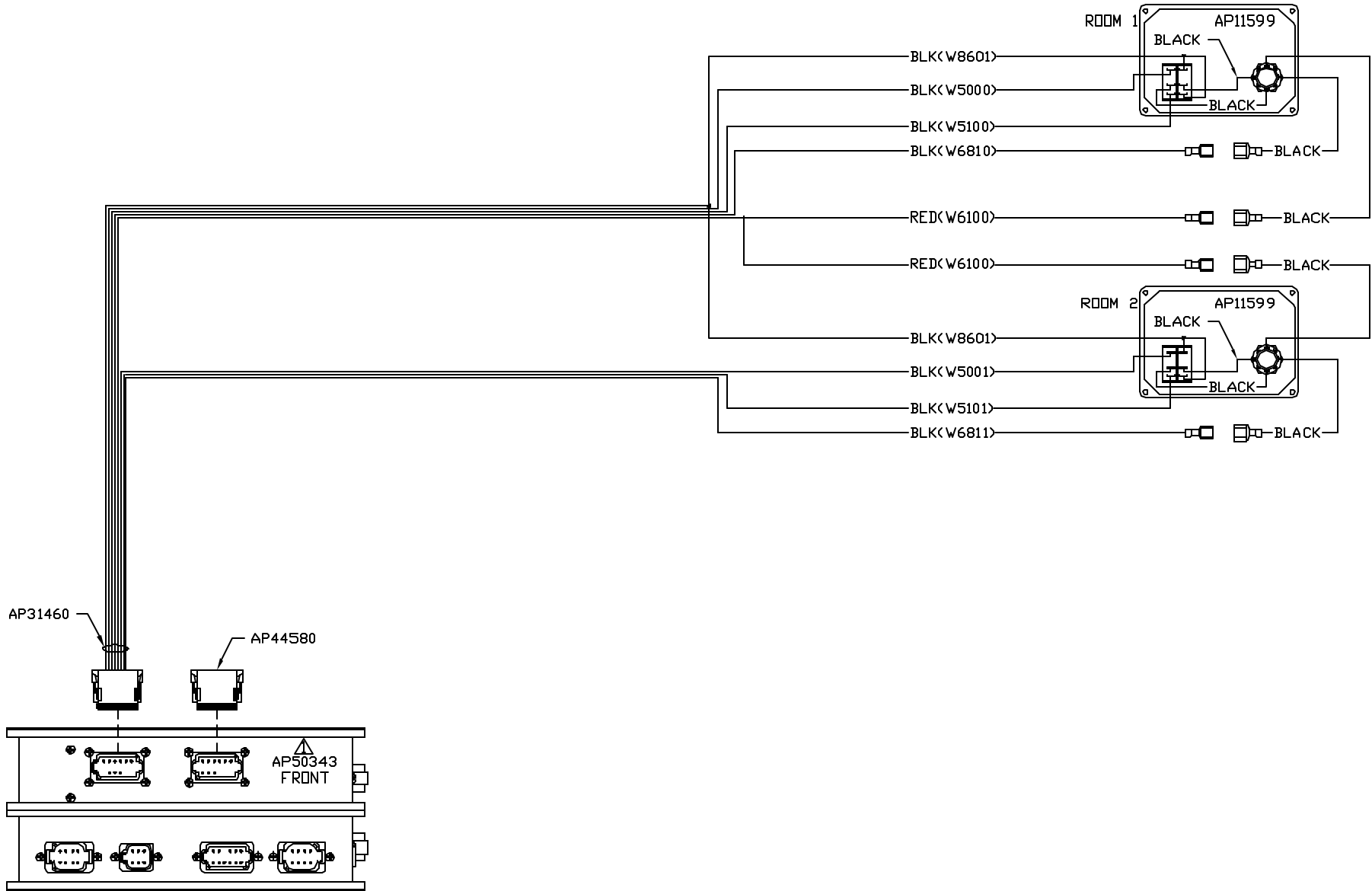
SYSTEM SCHEMATIC ELEC



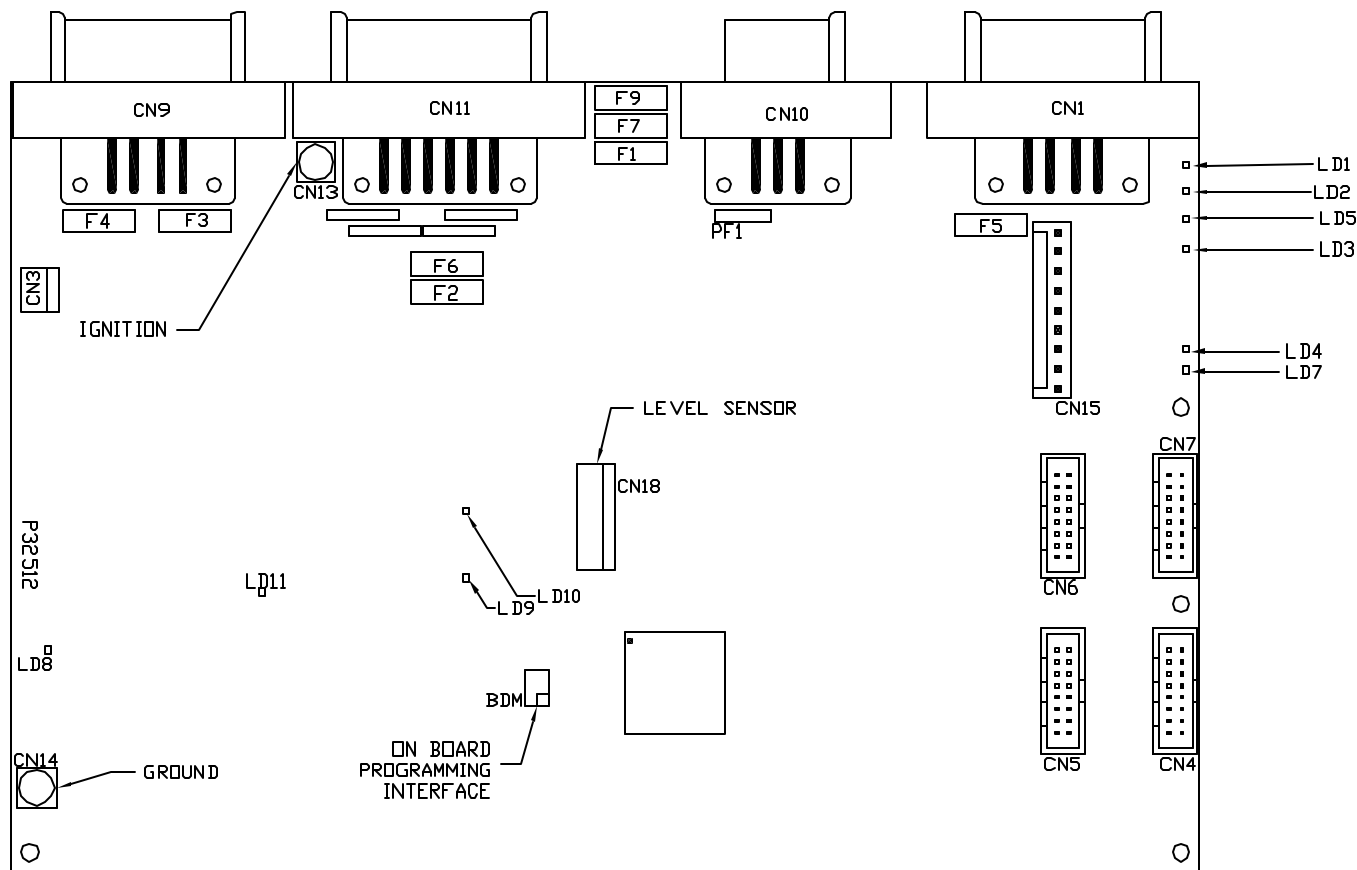
NOTE: INSTALLATION MUST CONFORM TO GOOD SHOP PRACTICES, SAE STANDARDS, RVIA STANDARDS, AND OTHER APPLICABLE STANDARDS.

MP91041 B
 30JUN14





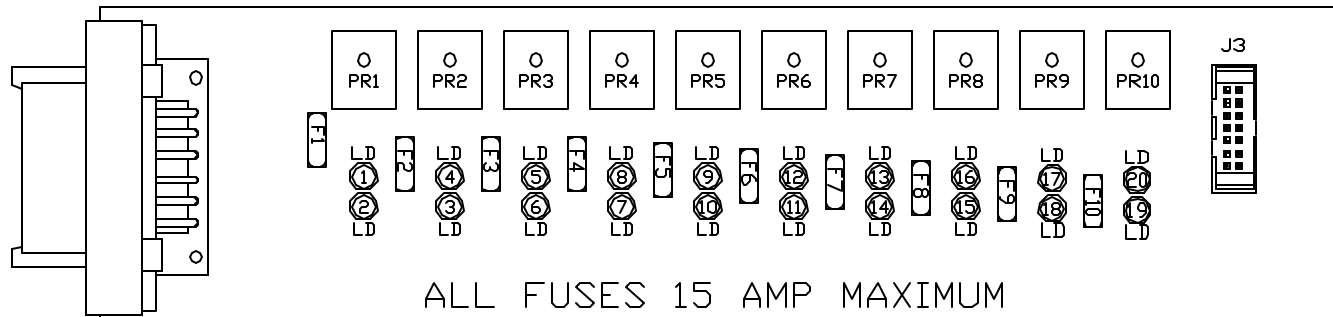
NOTE: INSTALLATION MUST CONFORM TO GOOD SHOP PRACTICES, SAE STANDARDS, RVIA STANDARDS, AND OTHER APPLICABLE STANDARDS.



| LED # | CONNECTOR | COLOR | DESCRIPTION |
|--------|----------------|-------|--------------|
| LED 1 | CN 9 PIN 1 | RED | MASTER RELAY |
| LED 2 | CN 9 PIN 4 | RED | PUMP RELAY |
| LED 3 | CN 1 PIN 3 | RED | SW 12V |
| LED 4 | CN 11 PIN 12 | RED | BATTERY |
| LED 5 | NOT USED | RED | NOT USED |
| LED 7 | CN 1 PIN 7 & 8 | RED | LINK LIGHT |
| LED 8 | NOT USED | RED | NOT USED |
| LED 9 | NOT USED | RED | NOT USED |
| LED 10 | CN 9 PIN 2 | RED | SYSTEM PSW |
| LED 11 | CN 11 PIN 11 | RED | PARK BRAKE |

| FUSE # | DESCRIPTION |
|--------------|-------------------------|
| PF1 | RESET OUT |
| F7 (3 AMP) | IGNITION |
| F1 (7.5 AMP) | IGNITION |
| F2 (15 AMP) | BATTERY |
| F3 (5 AMP) | MASTER RELAY |
| F4 (5 AMP) | PUMP RELAY |
| F5 (15 AMP) | SW. BATT TO CAN MODULES |
| F6 (3 AMP) | BATTERY |
| F9 (3 AMP) | POWER TO CN100 |

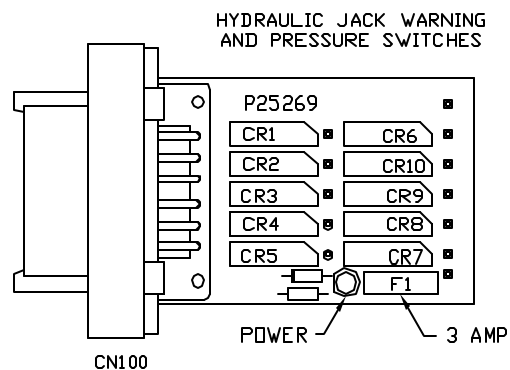
NOTE: INSTALLATION MUST CONFORM TO GOOD SHOP PRACTICES, SAE STANDARDS, RVIA STANDARDS, AND OTHER APPLICABLE STANDARDS.



OUTPUTS
LED LAYOUT

| LED # | COLOR | FUSE # | OUTPUT | RELAY # | DESCRIPTION |
|-------|--------|--------|--------|---------|-------------------------------|
| LED1 | YELLOW | --- | --- | PR1 | LEFT FRONT EXTEND (COIL) |
| LED2 | RED | FUSE 1 | PIN 1 | PR1 | LEFT FRONT EXTEND (CONTACT) |
| LED3 | RED | FUSE 2 | PIN 2 | PR2 | LEFT FRONT RETRACT (CONTACT) |
| LED4 | YELLOW | --- | --- | PR2 | LEFT FRONT RETRACT (COIL) |
| LED5 | YELLOW | --- | --- | PR3 | RIGHT FRONT EXTEND (COIL) |
| LED6 | RED | FUSE 3 | PIN 3 | PR3 | RIGHT FRONT EXTEND (CONTACT) |
| LED7 | RED | FUSE 4 | PIN 4 | PR4 | RIGHT FRONT RETRACT (CONTACT) |
| LED8 | YELLOW | --- | --- | PR4 | RIGHT FRONT RETRACT (COIL) |
| LED9 | YELLOW | --- | --- | PR5 | LEFT REAR EXTEND (COIL) |
| LED10 | RED | FUSE 5 | PIN 5 | PR5 | LEFT REAR EXTEND (CONTACT) |

| LED # | COLOR | FUSE # | OUTPUT | RELAY # | DESCRIPTION |
|-------|--------|---------|--------|---------|------------------------------|
| LED11 | RED | FUSE 6 | PIN 6 | PR6 | LEFT REAR RETRACT (CONTACT) |
| LED12 | YELLOW | --- | --- | PR6 | LEFT REAR RETRACT (COIL) |
| LED13 | YELLOW | --- | --- | PR7 | RIGHT REAR EXTEND (COIL) |
| LED14 | RED | FUSE 7 | PIN 7 | PR7 | RIGHT REAR EXTEND (CONTACT) |
| LED15 | RED | FUSE 8 | PIN 8 | PR8 | RIGHT REAR RETRACT (CONTACT) |
| LED16 | YELLOW | --- | --- | PR8 | RIGHT REAR RETRACT (COIL) |
| LED17 | YELLOW | --- | --- | PR9 | DUMP (COIL) |
| LED18 | RED | FUSE 9 | PIN 9 | PR9 | DUMP (CONTACT) |
| LED19 | RED | FUSE 10 | PIN 10 | PR10 | TRAVEL (CONTACT) |
| LED20 | YELLOW | --- | --- | PR10 | TRAVEL (COIL) |



| CONNECTOR | REED SWITCH | DESCRIPTION |
|---------------|-------------|------------------------|
| CN 100 PIN 1 | CR1 | LEFT FRONT WARN. SW. |
| CN 100 PIN 2 | CR2 | RIGHT FRONT WARN. SW. |
| CN 100 PIN 3 | CR3 | RIGHT REAR WARN. SW. |
| CN 100 PIN 4 | CR4 | LEFT REAR WARN. SW. |
| CN 100 PIN 5 | CR5 | NOT USED |
| CN 100 PIN 6 | --- | GROUND |
| CN 100 PIN 7 | --- | NOT USED |
| CN 100 PIN 8 | CR7 | RIGHT FRONT PRESS. SW. |
| CN 100 PIN 9 | CR8 | LEFT REAR PRESS. SW. |
| CN 100 PIN 10 | CR9 | RIGHT REAR PRESS. SW. |
| CN 100 PIN 11 | CR10 | NOT USED |
| CN 100 PIN 12 | CR6 | LEFT FRONT PRESS. SW. |

NOTE: INSTALLATION MUST CONFORM TO GOOD SHOP PRACTICES, SAE STANDARDS, RVIA STANDARDS, AND OTHER APPLICABLE STANDARDS.

MP91041 F
30JUN14