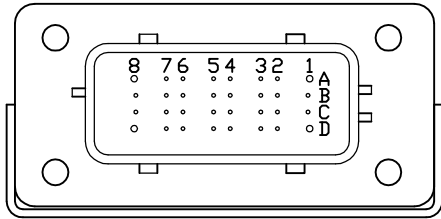
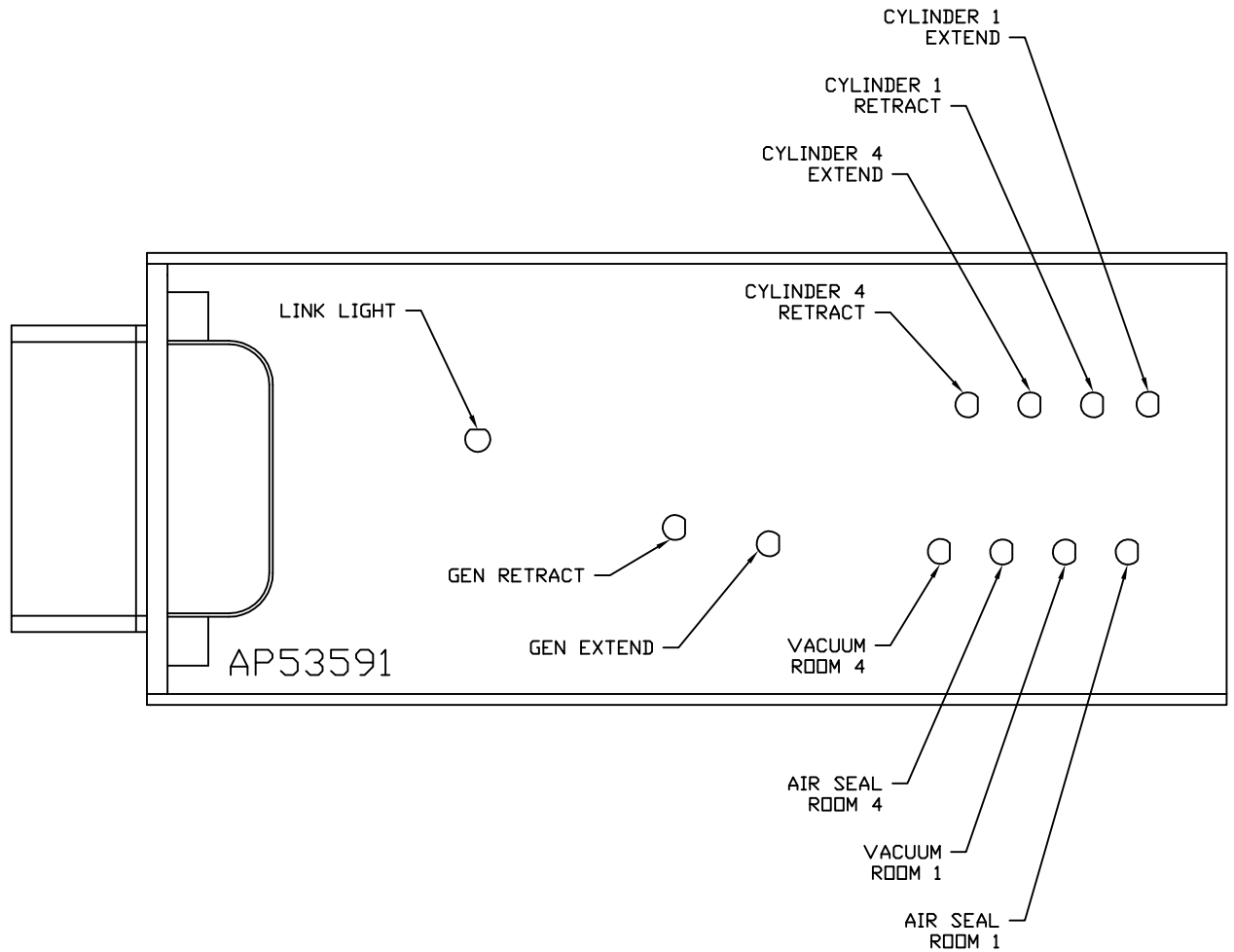


FRONT VIEW - AP53591



- PIN
- A1. BLACK - N/C
 - A2. YELLOW - CAN HIGH
 - A3. N/C
 - A4. N/C
 - A5. BLK(W5701) - ROOM 1 OUT
 - A6. N/C
 - A7. N/C
 - A8. BLACK - N/C
 - B1. N/C
 - B2. GREEN - CAN LOW
 - B3. N/C
 - B4. N/C
 - B5. BLK(W5800) - ROOM 1 VACUUM SENSE
 - B6. N/C
 - B7. BLK(W5000) - GEN EXTEND
 - B8. N/C
 - C1. RED(W6800) - +12V
 - C2. CAN SHIELD
 - C3. WHT(W6230) - GROUND
 - C4. N/C
 - C5. N/C
 - C6. BLK(W5100) - GEN RETRACT
 - C7. N/C
 - C8. BLK(W5803) - ROOM 4 VACUUM SENSE
 - D1. BLK(W6805) - SWITCHED BATTERY
 - D2. N/C
 - D3. N/C
 - D4. BLK(W5703) - ROOM 1 IN
 - D5. N/C
 - D6. BLK(W5702) - ROOM 4 IN
 - D7. BLK(W5700) - ROOM 4 OUT
 - D8. BLACK - N/C

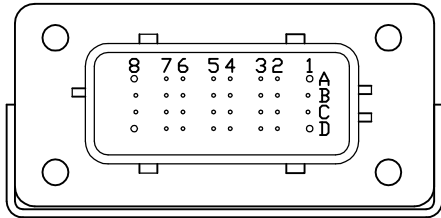
NOTE: WIRE NUMBERS ON THIS SHEET ARE REFERENCED TO HARNESS PLUGS.



		HWH		I-80 EXIT 267 SOUTH RT 1 MOSCOW, IOWA 52760	
		SCALE 1:3	DATE 21AUG14	DRAWN BY .	
		SYSTEM SCHEMATIC ELEC			
NO.	DATE	REVISION			
		THE INFORMATION DISCLOSED ON THIS DRAWING IS CONFIDENTIAL AND MUST NOT BE DISCLOSED OR USED IN ANY MANNER WHICH WILL BE DETRIMENTAL TO THE HWH CORPORATION			
				DRAWING NUMBER MP91072 A/H	

NOTE: INSTALLATION MUST CONFORM TO GOOD SHOP PRACTICES, SAE STANDARDS, RVIA STANDARDS, AND OTHER APPLICABLE STANDARDS.

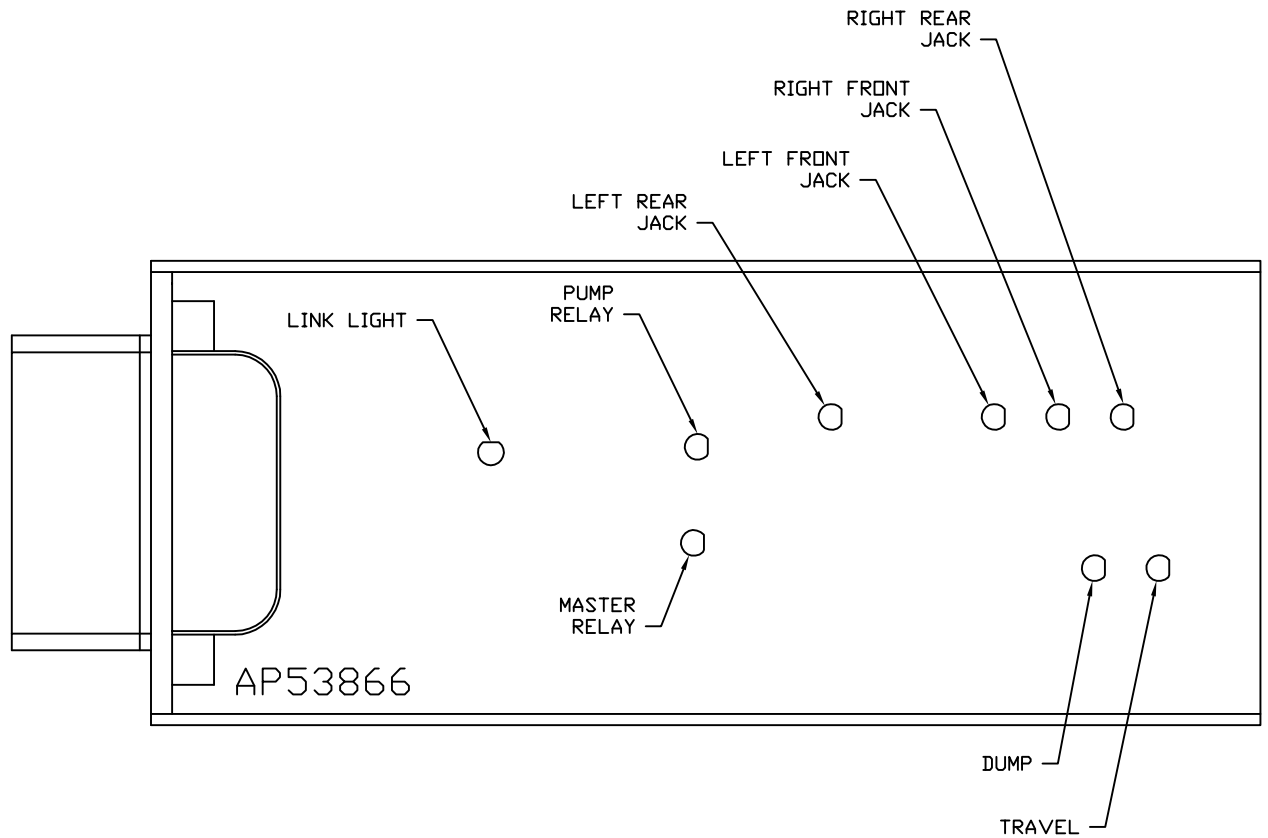
FRONT VIEW - AP53866



PIN

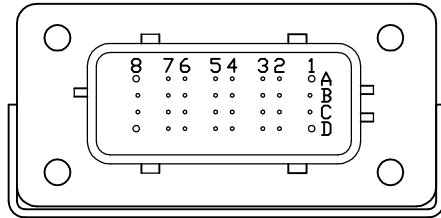
- A1. RED<W6805> - SWITCHED BATTERY
- A2. YELLOW - CAN HIGH
- A3. N/C
- A4. N/C
- A5. BLK<W2000> - RIGHT FRONT JACK WARNING SWITCH
- A6. BLK<W2200> - RIGHT FRONT JACK PRESSURE SWITCH
- A7. BLK<W3200> - RIGHT REAR JACK PRESSURE SWITCH
- A8. BLK<W8101> - 50 LB. PRESSURE SWITCH
- B1. RED<W6111> - TOUCH PANEL POWER
- B2. GREEN - CAN LOW
- B3. WHT<W6230> - TOUCH PANEL GROUND
- B4. N/C
- B5. BLK<W3000> - RIGHT REAR JACK WARNING SWITCH
- B6. BLK<W4200> - LEFT REAR JACK PRESSURE SWITCH
- B7. N/C
- B8. BLK<W8100> - 3000 LB. PRESSURE SWITCH
- C1. RED<W6112> - LEVEL SENSOR POWER
- C2. CAN SHIELD
- C3. WHT<W6231> - LEVEL SENSOR GROUND
- C4. BLK<W0400> - REAR SENSE
- C5. BLK<W4000> - LEFT REAR JACK WARNING SWITCH
- C6. BLK<W6110> - IGNITION SENSE
- C7. N/C
- C8. BLK<W0300> - RIGHT SIDE SENSE
- D1. RED<W6110> - IGNITION
- D2. WHT<W6235> - WARNING SWITCH GROUND
- D3. N/C
- D4. BLK<W1000> - LEFT FRONT JACK WARNING SWITCH
- D5. BLK<W1200> - LEFT FRONT JACK PRESSURE SWITCH
- D6. BLK<W0100> - LEFT SIDE SENSE
- D7. BLK<W0200> - FRONT SENSE
- D8. BLK<W9000> - PARK BRAKE

NOTE: WIRE NUMBERS ON THIS SHEET ARE REFERENCED TO HARNESS PLUGS.



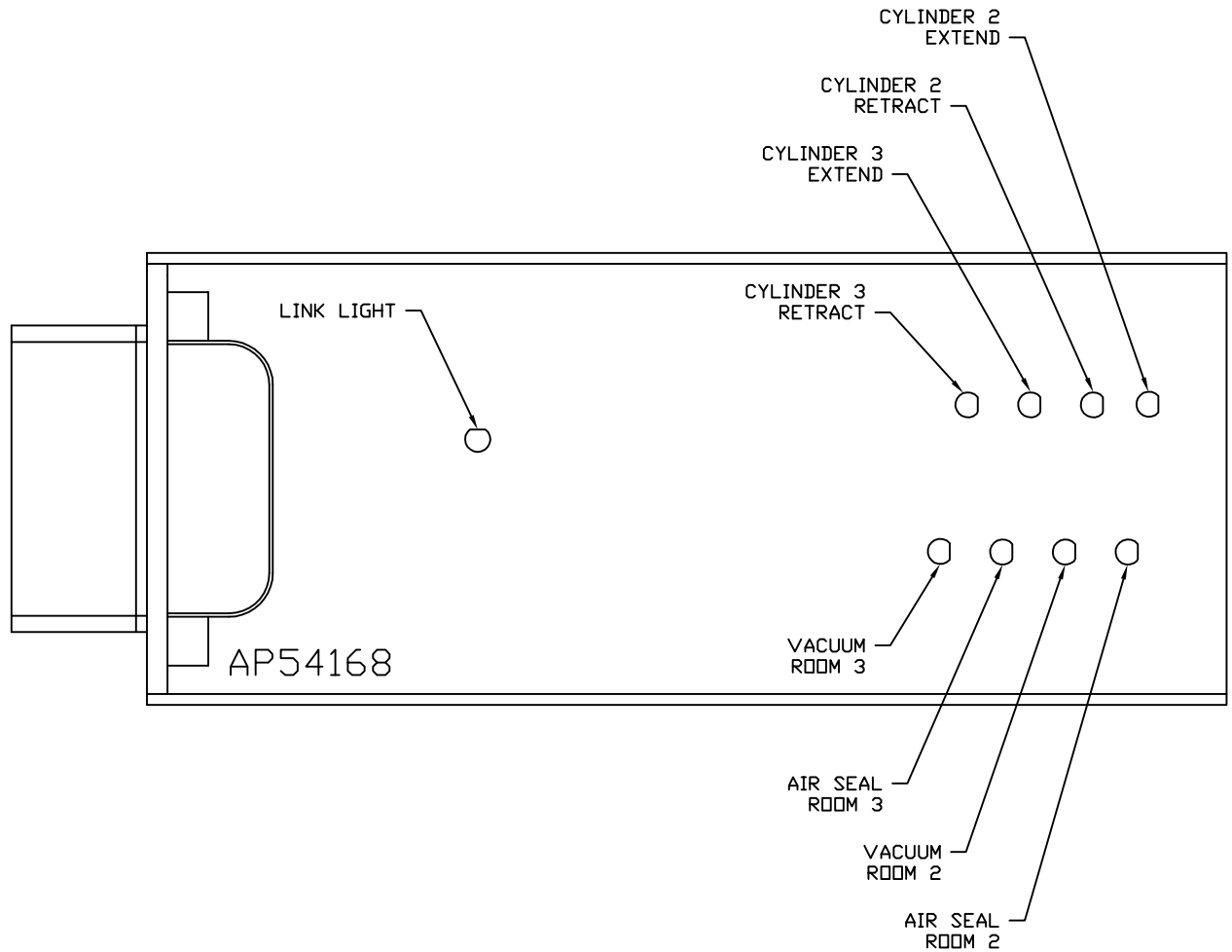
NOTE: INSTALLATION MUST CONFORM TO GOOD SHOP PRACTICES, SAE STANDARDS, RVIA STANDARDS, AND OTHER APPLICABLE STANDARDS.

FRONT VIEW - AP54168

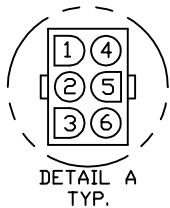


- PIN
- A1. BLACK - N/C
 - A2. YELLOW - CAN HIGH
 - A3. N/C
 - A4. N/C
 - A5. BLK(W5701) - ROOM 2 OUT
 - A6. N/C
 - A7. N/C
 - A8. BLACK - N/C
 - B1. N/C
 - B2. GREEN - CAN LOW
 - B3. N/C
 - B4. N/C
 - B5. BLK(W5801) - ROOM 2 VACUUM SENSE
 - B6. N/C
 - B7. N/C
 - B8. N/C
 - C1. RED(W6800) - +12V
 - C2. CAN SHIELD
 - C3. WHT(W6230) - GROUND
 - C4. N/C
 - C5. N/C
 - C6. N/C
 - C7. N/C
 - C8. BLK(W5802) - ROOM 3 VACUUM SENSE
 - D1. BLK(W6805) - SWITCHED BATTERY
 - D2. N/C
 - D3. N/C
 - D4. BLK(W5703) - ROOM 2 IN
 - D5. N/C
 - D6. BLK(W5702) - ROOM 3 IN
 - D7. BLK(W5700) - ROOM 3 OUT
 - D8. BLACK - N/C

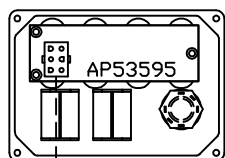
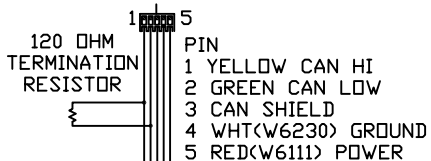
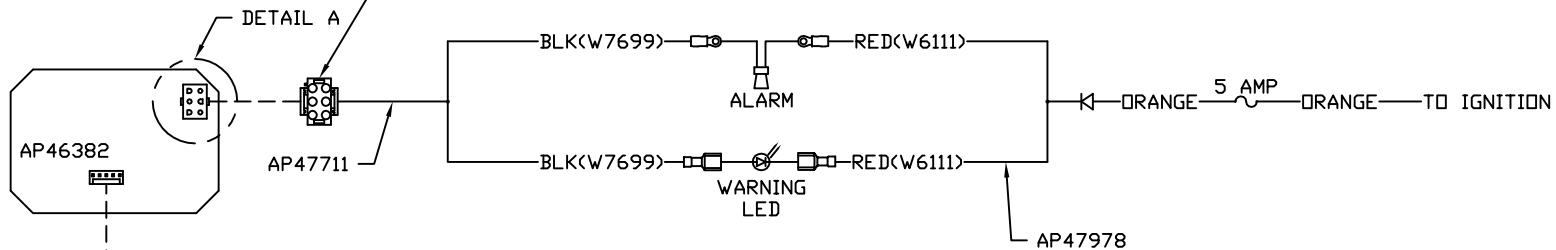
NOTE: WIRE NUMBERS ON THIS SHEET ARE REFERENCED TO HARNESS PLUGS.



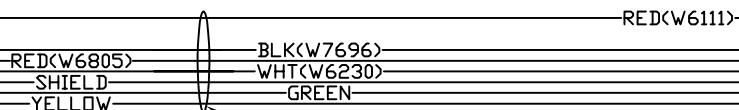
NOTE: INSTALLATION MUST CONFORM TO GOOD SHOP PRACTICES, SAE STANDARDS, RVIA STANDARDS, AND OTHER APPLICABLE STANDARDS.



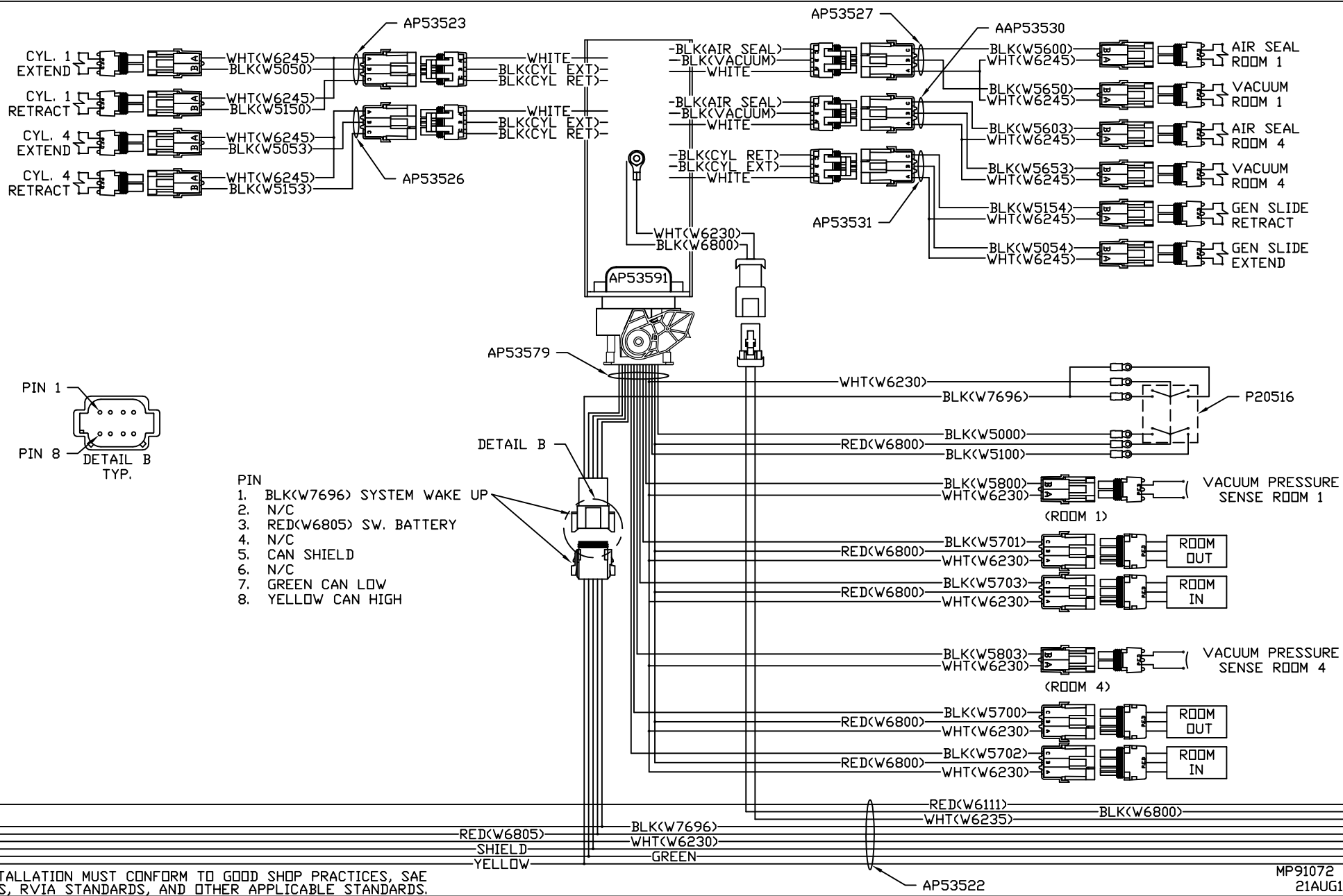
- PIN
- 1. N/C
 - 2. N/C
 - 3. N/C
 - 4. N/C
 - 5. BLK(W7699) WARNING LED/ALARM CONTROL
 - 6. N/C



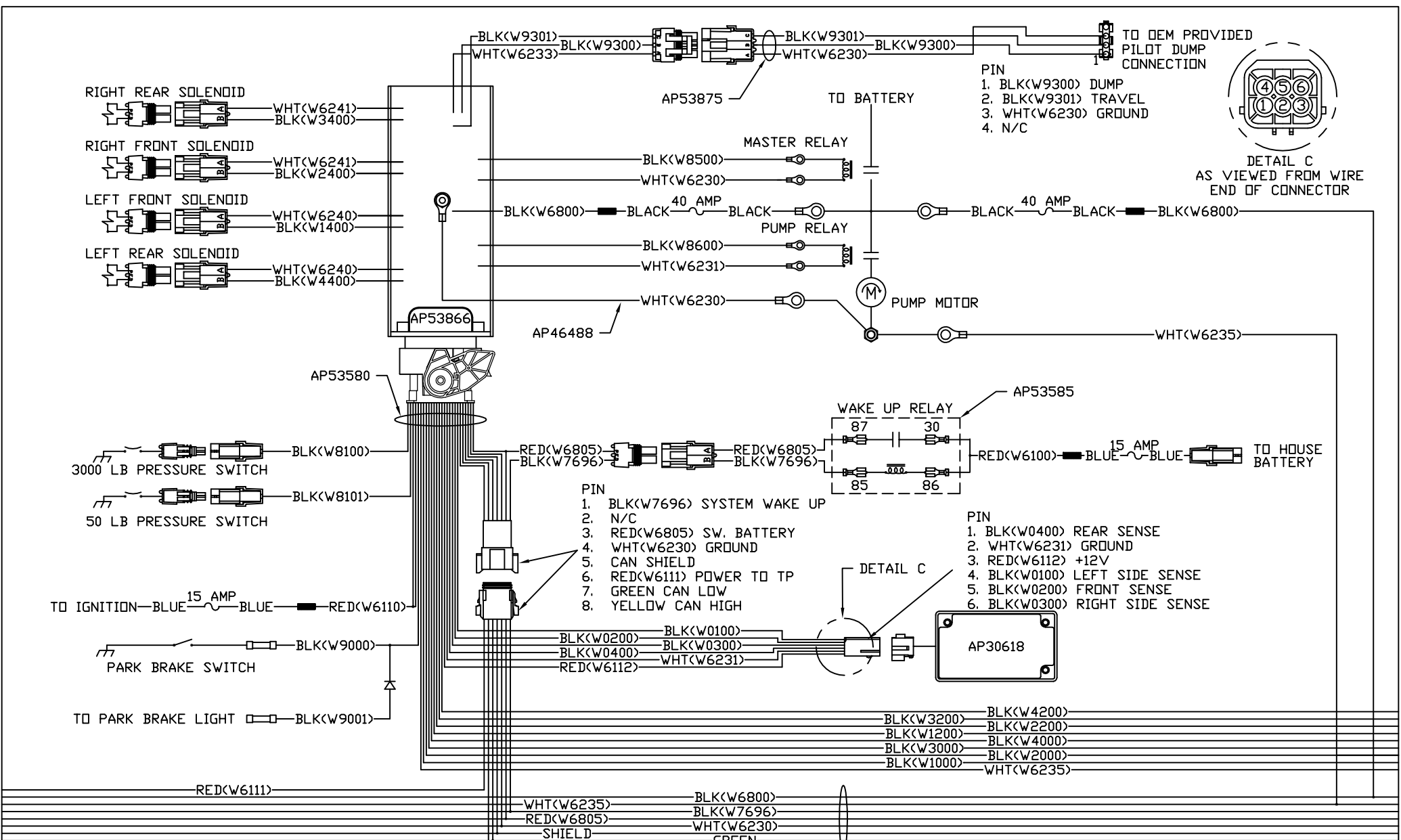
- PIN
- 1 RED(W6805) SW. BATTERY
 - 2 WHT(W6230) GROUND
 - 3 CAN SHIELD
 - 4 GREEN CAN LOW
 - 5 YELLOW CAN HI
 - 6 BLK(W7696) SYSTEM WAKE UP



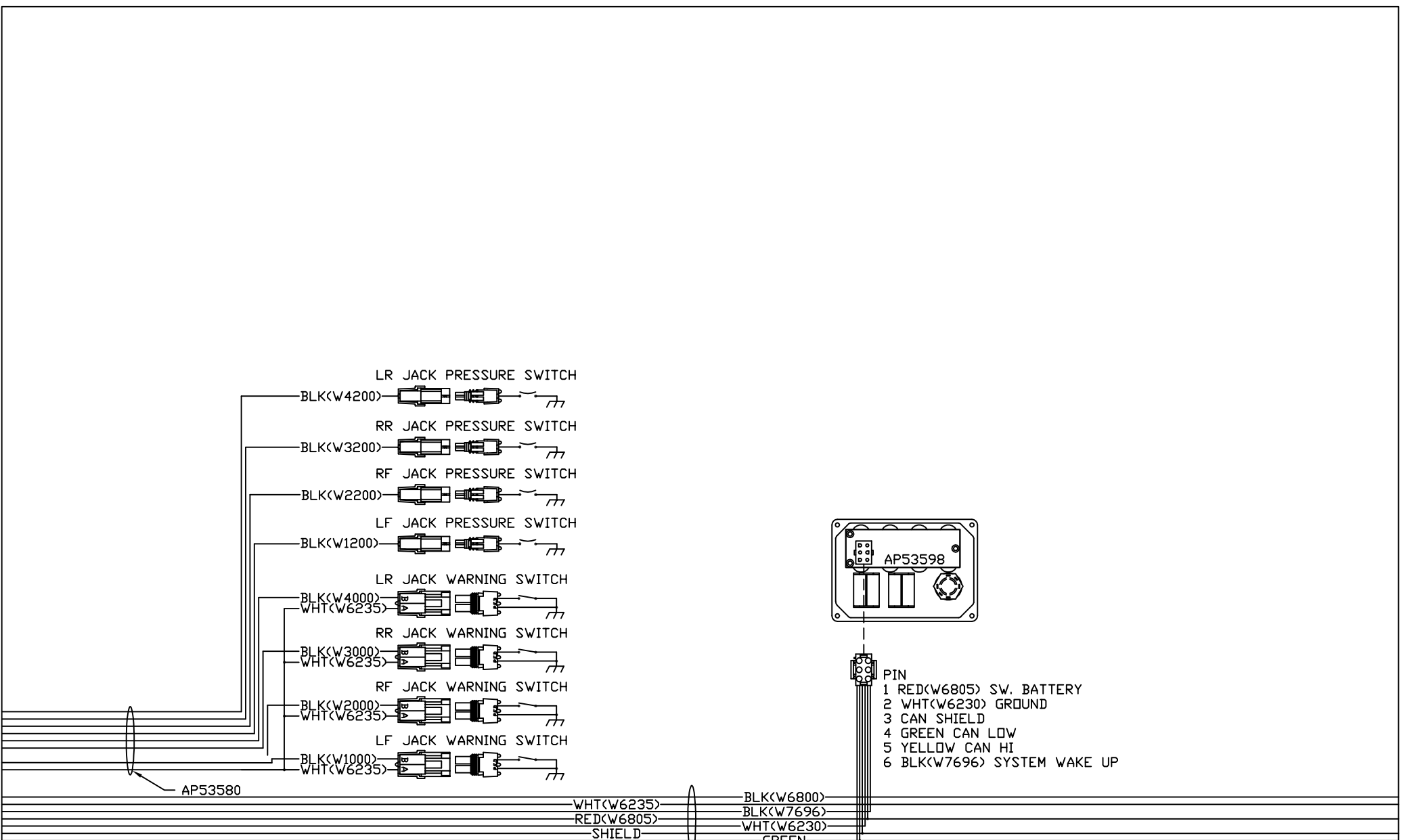
NOTE: INSTALLATION MUST CONFORM TO GOOD SHOP PRACTICES, SAE STANDARDS, RVIA STANDARDS, AND OTHER APPLICABLE STANDARDS.



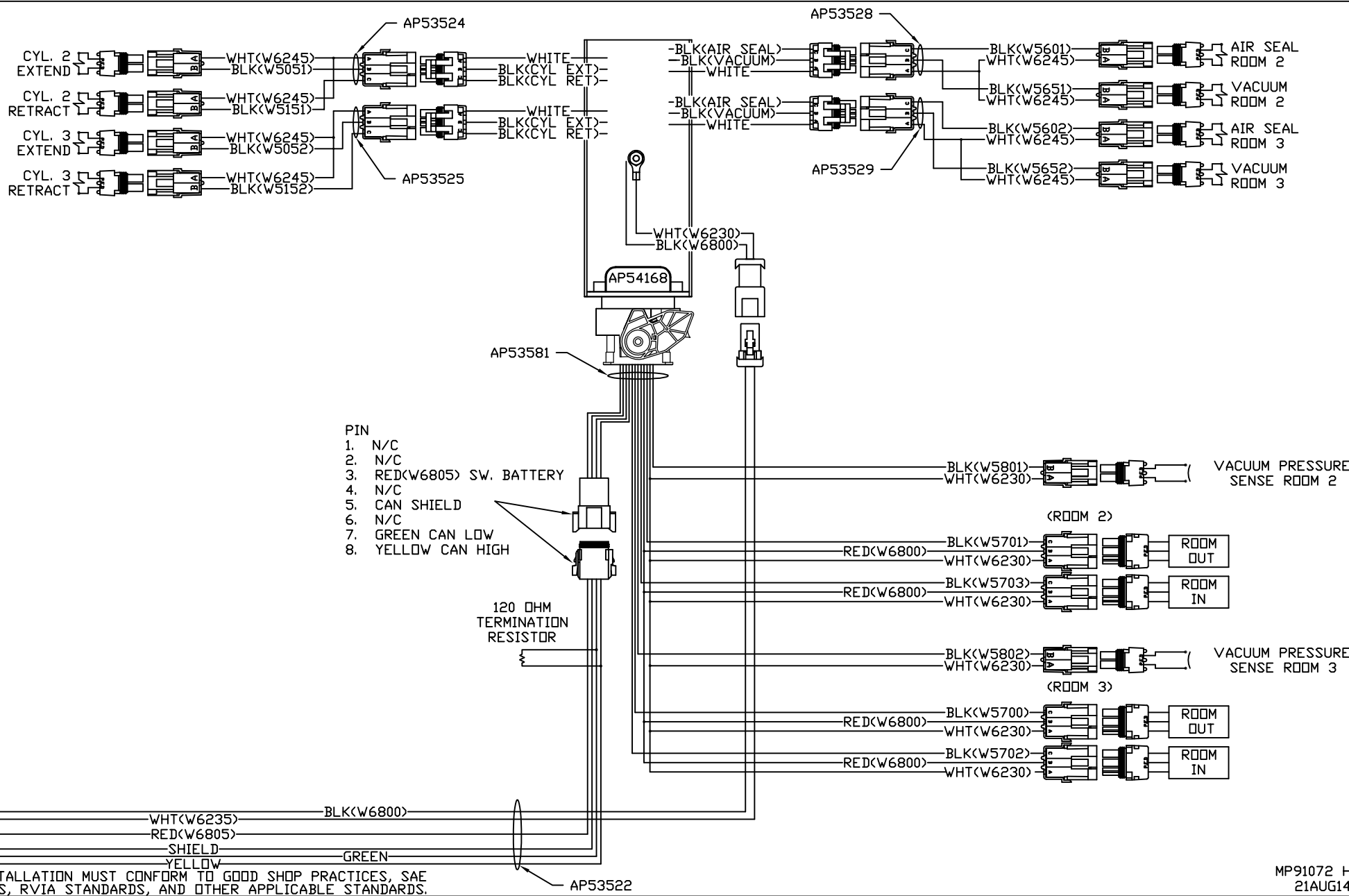
NOTE: INSTALLATION MUST CONFORM TO GOOD SHOP PRACTICES, SAE STANDARDS, RVIA STANDARDS, AND OTHER APPLICABLE STANDARDS.



NOTE: INSTALLATION MUST CONFORM TO GOOD SHOP PRACTICES, SAE STANDARDS, RVIA STANDARDS, AND OTHER APPLICABLE STANDARDS.



NOTE: INSTALLATION MUST CONFORM TO GOOD SHOP PRACTICES, SAE STANDARDS, RVIA STANDARDS, AND OTHER APPLICABLE STANDARDS.



NOTE: INSTALLATION MUST CONFORM TO GOOD SHOP PRACTICES, SAE STANDARDS, RVIA STANDARDS, AND OTHER APPLICABLE STANDARDS.