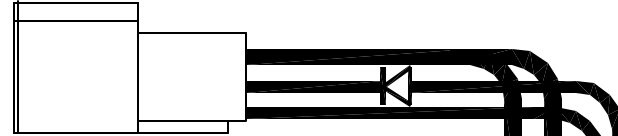
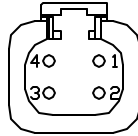
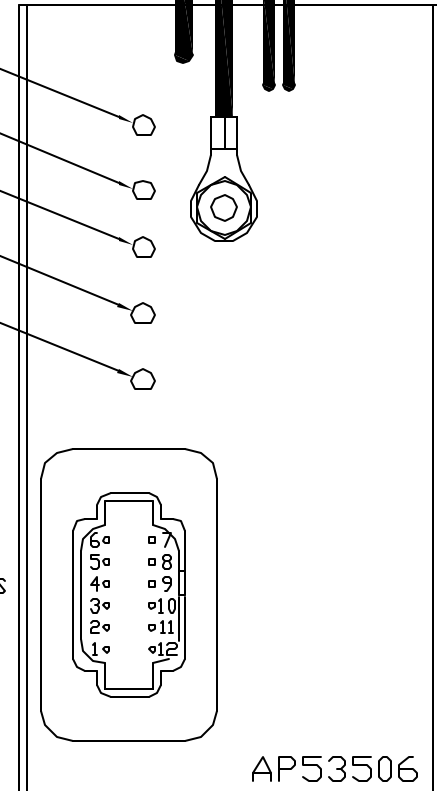


- PIN
1. BLK(W6810) BATTERY
 2. BLK(W6800) BATTERY
 3. BLK(W8601) PUMP (HAS DIODE)
 4. WHT(W6230) GROUND



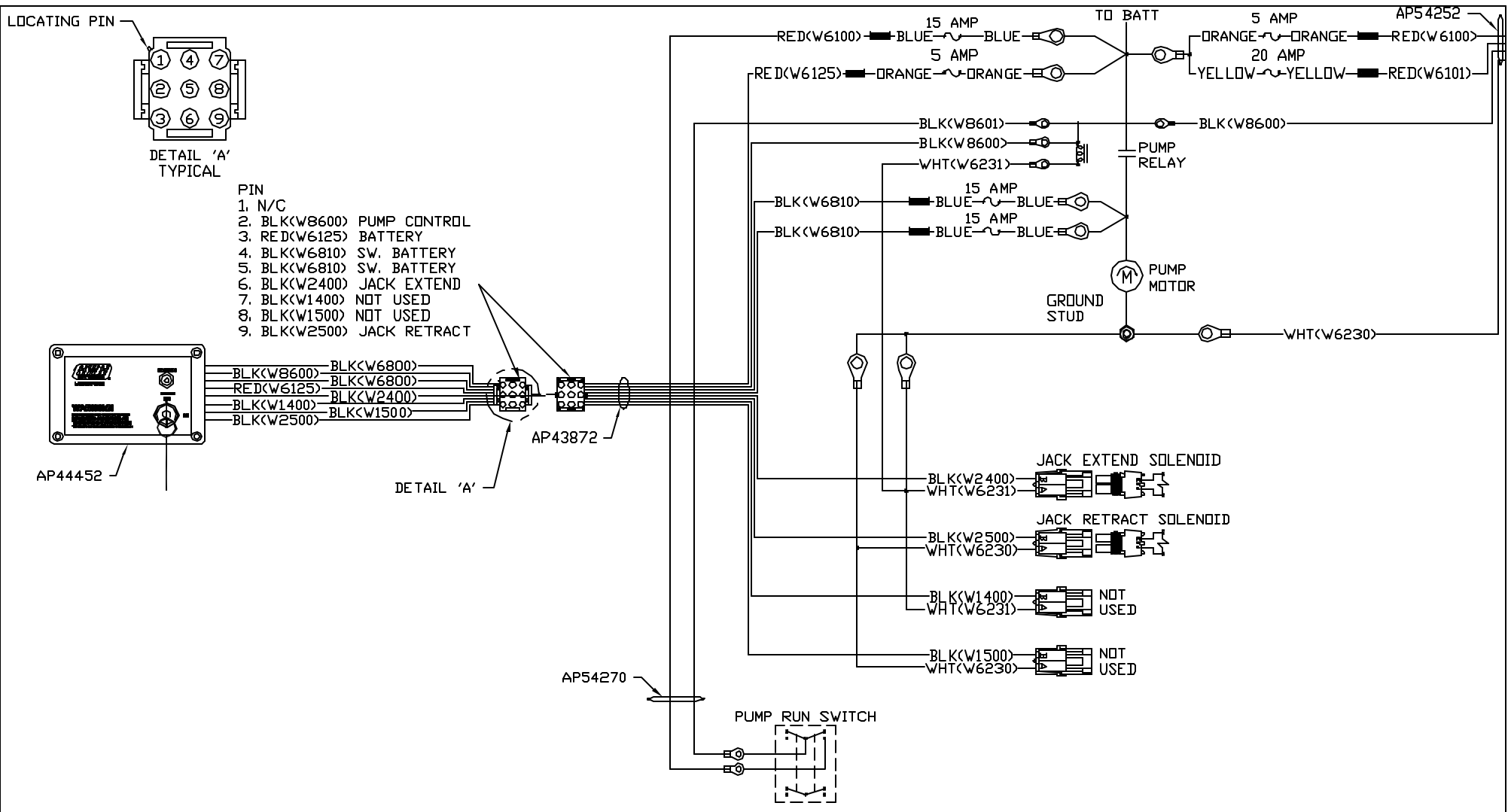
- CYLINDER EXTEND 1
- CYLINDER RETRACT 1
- CYLINDER EXTEND 2
- CYLINDER RETRACT 2
- PUMP



- PIN
1. BLK(W5000) EXTEND ROOM 1
 2. BLK(W5100) RETRACT ROOM 1
 3. BLK(W5001) EXTEND ROOM 2
 4. BLK(W5101) RETRACT ROOM 2
 5. N/C
 6. N/C
 7. RED(W6805) +12V TO ROOM SWITCHES
 8. N/C
 9. N/C
 10. N/C
 11. N/C
 12. N/C

NOTE: INSTALLATION MUST CONFORM TO GOOD SHOP PRACTICES, SAE STANDARDS, RVIA STANDARDS, AND OTHER APPLICABLE STANDARDS.

| | | | | | | |
|-----|------|----------|--|--------------|--|----------------|
| | | | HWH | | I-80 EXIT 267 SOUTH RT 1 MOSCOW, IOWA 52760 | |
| | | | SCALE 1:3 | DATE 13MAR15 | DRAWN BY . | |
| | | | SYSTEM SCHEMATIC ELEC | | | |
| NO. | DATE | REVISION | THE INFORMATION DISCLOSED ON THIS DRAWING IS CONFIDENTIAL AND MUST NOT BE DISCLOSED OR USED IN ANY MANNER WHICH WILL BE DETRIMENTAL TO THE HWH CORPORATION | | | DRAWING NUMBER |
| | | | | | | MP91112 A/C |



NOTE: INSTALLATION MUST CONFORM TO GOOD SHOP PRACTICES, SAE STANDARDS, RVIA STANDARDS, AND OTHER APPLICABLE STANDARDS.

