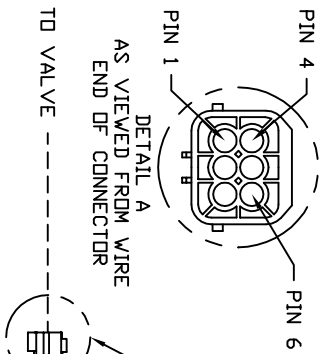
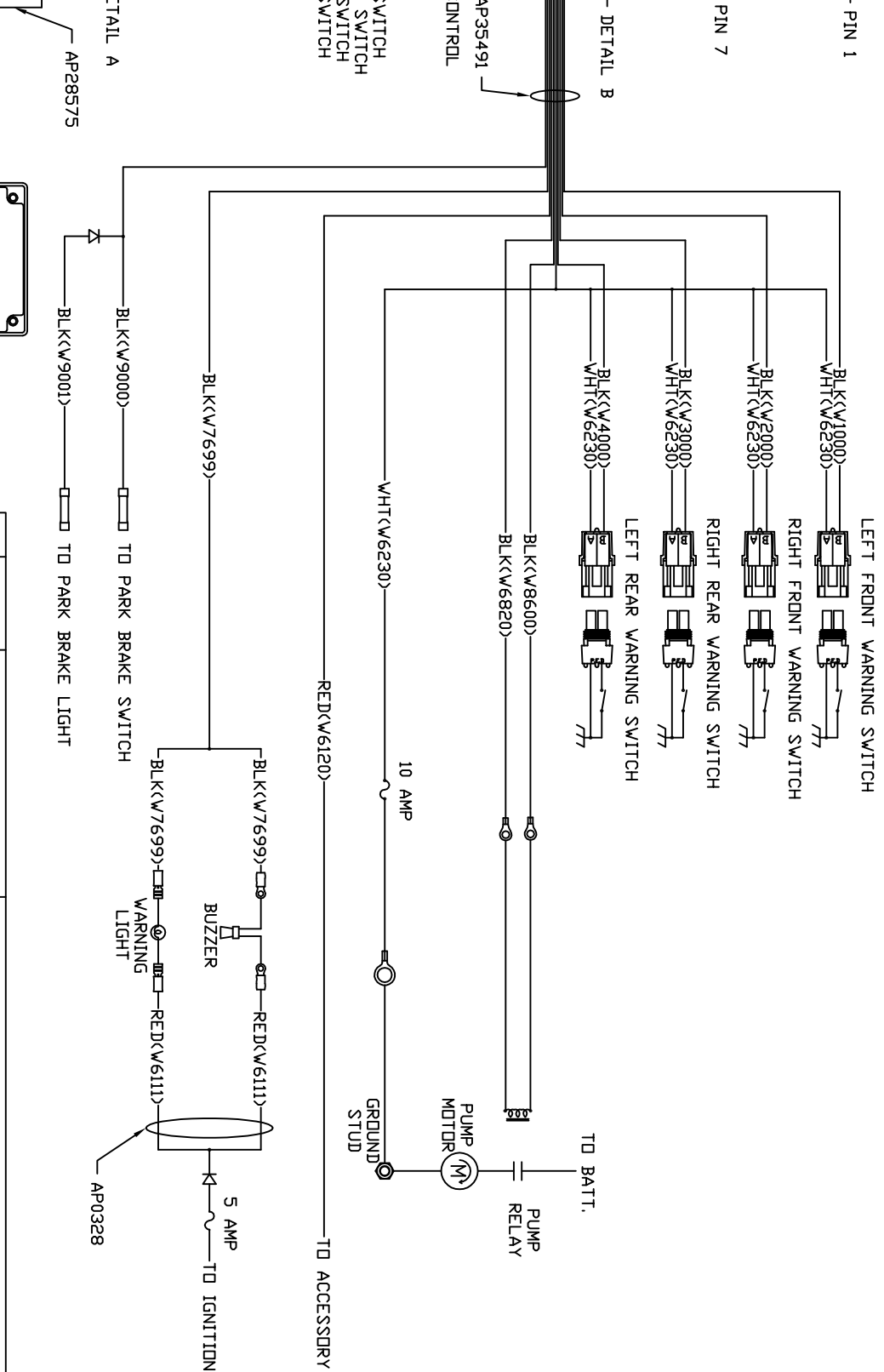


- PIN
1. RED<(W6120) ACCESSORY
 2. WHT<(W6230) GROUND
 3. BLK<(W9000) PARK BRAKE
 4. N/C
 5. BLK<(W7699) WARN LIGHT/BUZZER CONTROL
 6. N/C
 7. BLK<(W6820) PUMP RELAY SUPPLY
 8. BLK<(W8600) PUMP RELAY CONTROL
 9. BLK<(W1000) LEFT FRONT WARNING SWITCH
 10. BLK<(W2000) RIGHT FRONT WARNING SWITCH
 11. BLK<(W3000) RIGHT REAR WARNING SWITCH
 12. BLK<(W4000) LEFT REAR WARNING SWITCH



- PIN
1. REAR SENSE (ORANGE)
 2. GROUND (WHITE)
 3. ACCESSORY (RED)
 4. LEFT SIDE SENSE (YELLOW)
 5. FRONT SENSE (BLACK)
 6. RIGHT SIDE SENSE (GREEN)

NOTE: INSTALLATION MUST CONFORM TO GOOD SHOP PRACTICES, SAE STANDARDS, RVIA STANDARDS, AND OTHER APPLICABLE STANDARDS.



NO.	DATE	REVISION

SCALE	1:3	DATE	08JUN15	DRAWN BY	
SYSTEM SCHEMATIC ELEC					
HWH 1-80 EXIT 267 SOUTH RT 1 MOSCOW, IDWA 52760					
THE INFORMATION DISCLOSED ON THIS DRAWING IS CONFIDENTIAL AND MUST NOT BE DISCLOSED OR USED IN ANY MANNER WHICH WILL BE DETRIMENTAL TO THE HWH CORPORATION					DRAWING NUMBER MP91145