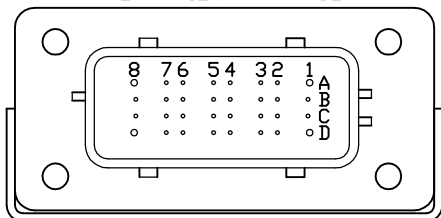


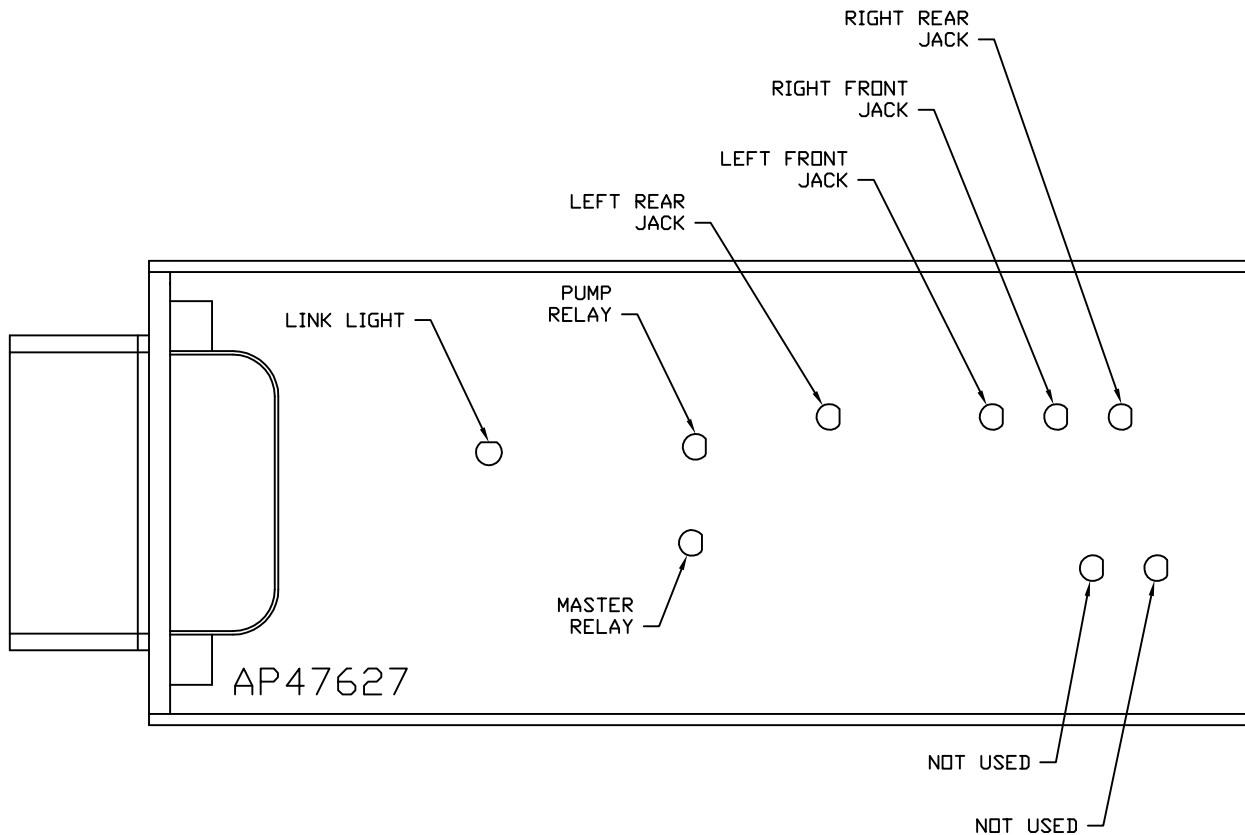
FRONT VIEW - AP47627



PIN

- A1. BLK(W8601) - PUMP REQUEST
- A2. YELLOW - CAN HIGH
- A3. N/C
- A4. N/C
- A5. BLK(W2000) - RIGHT FRONT JACK WARNING SWITCH
- A6. BLK(W2200) - RIGHT FRONT JACK PRESSURE SWITCH
- A7. BLK(W3200) - RIGHT REAR JACK PRESSURE SWITCH
- A8. BLK(W8101) - 50 LB. PRESSURE SWITCH
- B1. RED(W6800) - TOUCH PANEL POWER
- B2. GREEN - CAN LOW
- B3. WHT(W6230) - TOUCH PANEL GROUND
- B4. N/C
- B5. BLK(W3000) - RIGHT REAR JACK WARNING SWITCH
- B6. BLK(W4200) - LEFT REAR JACK PRESSURE SWITCH
- B7. N/C
- B8. BLK(W8100) - 3000 LB. PRESSURE SWITCH
- C1. RED(W6121) - LEVEL SENSOR POWER
- C2. CAN SHIELD
- C3. WHT(W6231) - LEVEL SENSOR GROUND
- C4. BLK(W0400) - REAR SENSE
- C5. BLK(W4000) - LEFT REAR WARNING SWITCH
- C6. N/C
- C7. N/C
- C8. BLK(W0300) - RIGHT SIDE SENSE
- D1. RED(W6120) - ACCESSORY
- D2. WHT(W6235) - WARNING SWITCH GROUND
- D3. N/C
- D4. BLK(W1000) - LEFT FRONT JACK WARNING SWITCH
- D5. BLK(W1200) - LEFT FRONT JACK PRESSURE SWITCH
- D6. BLK(W0100) - LEFT SIDE SENSE
- D7. BLK(W0200) - FRONT SENSE
- D8. BLK(W9000) - PARK BRAKE

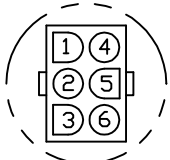
NOTE: WIRE NUMBERS ON THIS SHEET ARE REFERENCED TO HARNESS PLUGS.



NOTE: INSTALLATION MUST CONFORM TO GOOD SHOP PRACTICES, SAE STANDARDS, RVIA STANDARDS, AND OTHER APPLICABLE STANDARDS.

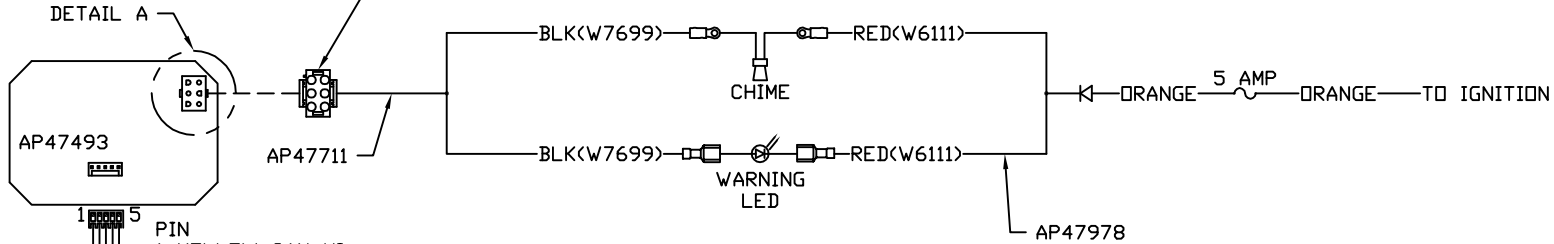
		HWH		I-80 EXIT 267 SOUTH RT 1 MOSCOW, IOWA 52760	
		SCALE 1:3	DATE 02JUN16	DRAWN BY .	
		SYSTEM SCHEMATIC ELEC			
NO.	DATE	REVISION			
THE INFORMATION DISCLOSED ON THIS DRAWING IS CONFIDENTIAL AND MUST NOT BE DISCLOSED OR USED IN ANY MANNER WHICH WILL BE DETRIMENTAL TO THE HWH CORPORATION			DRAWING NUMBER MP91234 A/D		

NOTE: AP47493 TOUCH PANEL AND AP47709 CHIME KIT WHICH INCLUDES AP47711 AND AP47978 ARE ORDERED SEPARATELY FROM HWH CORP.

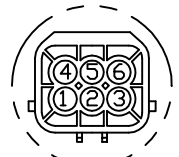


DETAIL A

- PIN
- 1. N/C
 - 2. N/C
 - 3. N/C
 - 4. N/C
 - 5. BLK(W7699) WARNING LED/CHIME CONTROL
 - 6. N/C



- PIN
- 1 YELLOW CAN HI
 - 2 GREEN CAN LOW
 - 3 CAN SHIELD
 - 4 WHT(W6230) GROUND
 - 5 RED(W6800) POWER



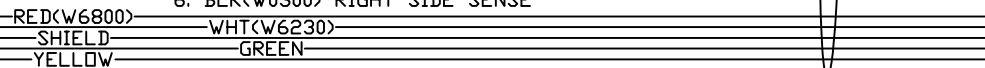
DETAIL B
AS VIEWED FROM WIRE
END OF CONNECTOR



- PIN
- 1. BLK(W0400) REAR SENSE
 - 2. WHT(W6231) GROUND
 - 3. RED(W6121) +12V
 - 4. BLK(W0100) LEFT SIDE SENSE
 - 5. BLK(W0200) FRONT SENSE
 - 6. BLK(W0300) RIGHT SIDE SENSE

DETAIL B

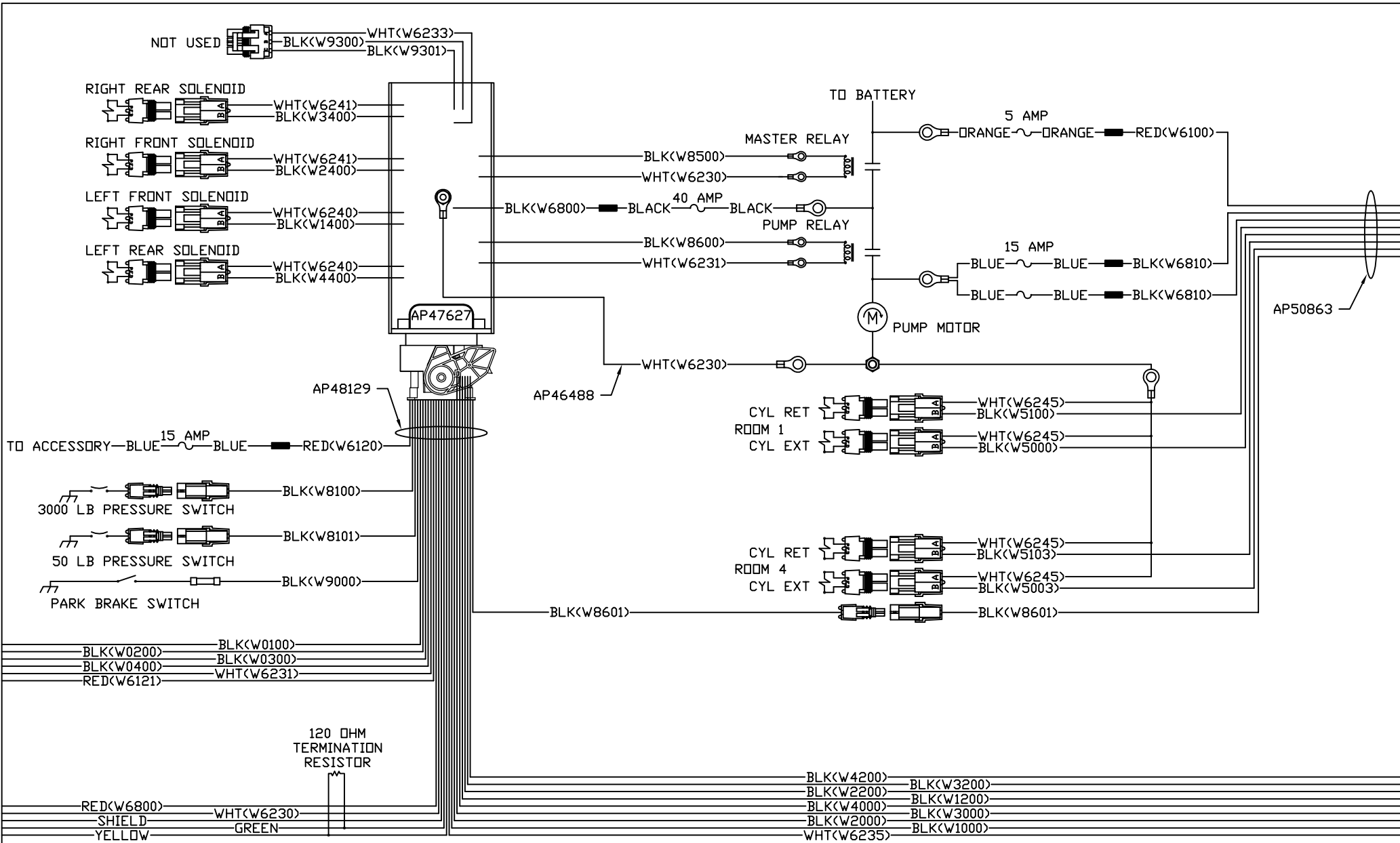
120 OHM
TERMINATION
RESISTOR



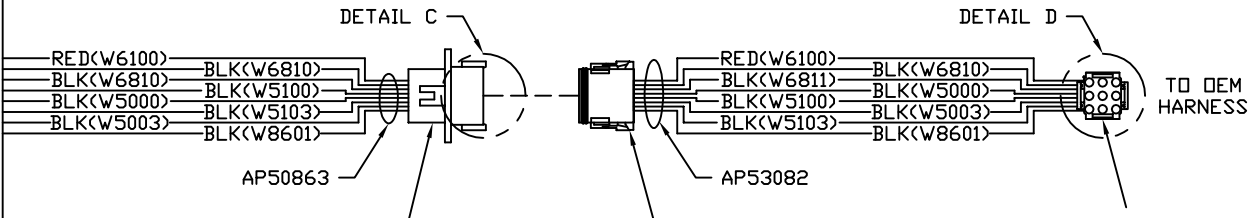
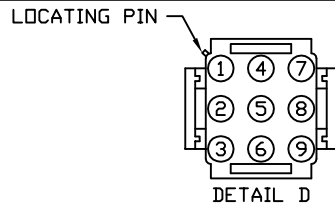
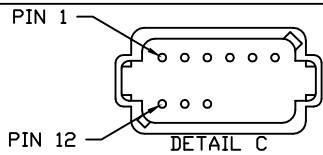
NOTE: INSTALLATION MUST CONFORM TO GOOD SHOP PRACTICES, SAE STANDARDS, RVIA STANDARDS, AND OTHER APPLICABLE STANDARDS.

AP48129

MP91234 B
02JUN16



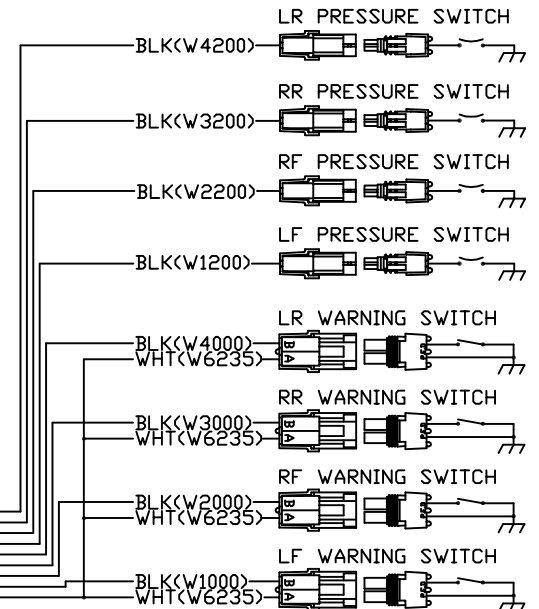
NOTE: INSTALLATION MUST CONFORM TO GOOD SHOP PRACTICES, SAE STANDARDS, RVIA STANDARDS, AND OTHER APPLICABLE STANDARDS.



- PIN
1. BLK(W6810) SW. BATT ROOM 1
 2. BLK(W5000) CYL. EXTEND ROOM 1
 3. BLK(W5100) CYL. RETRACT ROOM 1
 4. BLK(W6810) SW. BATT ROOM 4
 5. BLK(W5003) CYL. EXTEND ROOM 4
 6. BLK(W5103) CYL. RETRACT ROOM 4
 7. N/C
 8. N/C
 9. N/C
 10. BLK(W8601) PUMP REQUEST
 11. RED(W6100) BATTERY
 12. N/C (KEY PIN)

- PIN
1. BLK(W6810) ROOM 1 SW. BATT
 2. BLK(W5000) ROOM 1 EXTEND
 3. BLK(W5100) ROOM 1 RETRACT
 4. BLK(W6811) ROOM 4 SW. BATT
 5. BLK(W5003) ROOM 4 EXTEND
 6. BLK(W5103) ROOM 4 RETRACT
 7. N/C
 8. N/C
 9. N/C
 10. BLK(W8601) PUMP REQUEST
 11. RED(W6100) BATTERY
 12. N/C

- PIN
1. BLK(W6810) ROOM 1 SW. BATT
 2. BLK(W5000) ROOM 1 EXTEND
 3. BLK(W5100) ROOM 1 RETRACT
 4. BLK(W6811) ROOM 4 SW. BATT
 5. BLK(W5003) ROOM 4 EXTEND
 6. BLK(W5103) ROOM 4 RETRACT
 7. BLK(W8601) PUMP REQUEST
 8. RED(W6100) BATTERY
 9. N/C



NOTE: INSTALLATION MUST CONFORM TO GOOD SHOP PRACTICES, SAE STANDARDS, RVIA STANDARDS, AND OTHER APPLICABLE STANDARDS.

AP48129

MP91234 D
 02JUN16