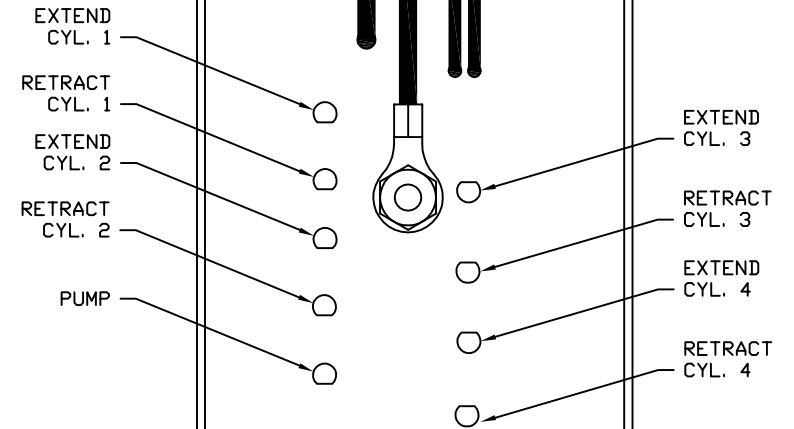
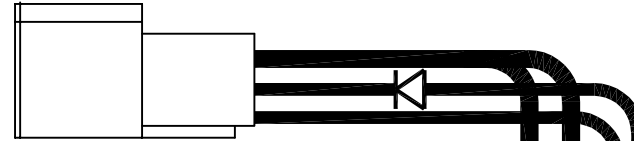
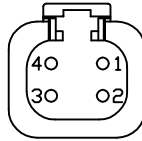
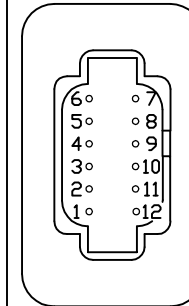


- PIN
 1. BLK(W6810) BATTERY
 2. BLK(W6800) BATTERY
 3. BLK(W8601) PUMP (HAS DIODE)
 4. WHT(W6230) GROUND



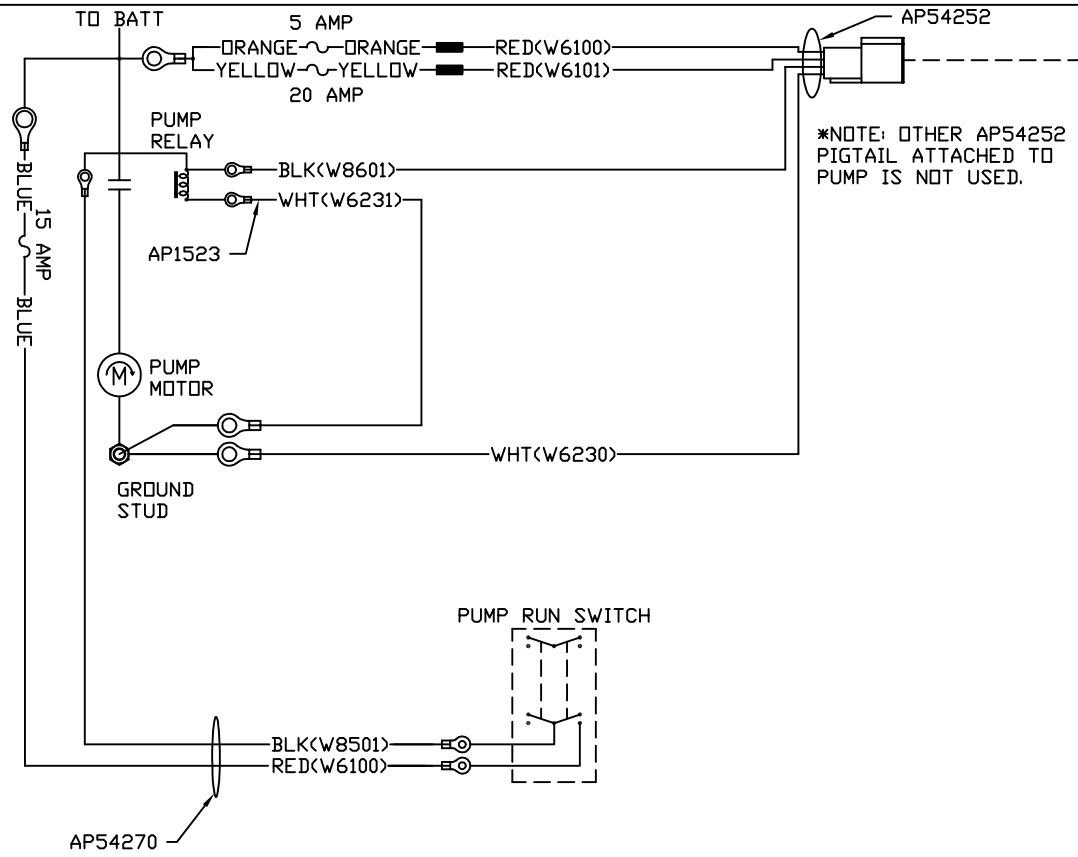
- PIN
 1. BLK(W5000) EXTEND ROOM 1
 2. BLK(W5100) RETRACT ROOM 1
 3. BLK(W5001) EXTEND ROOM 2
 4. BLK(W5101) RETRACT ROOM 2
 5. N/C
 6. N/C
 7. RED(W6805) +12V TO ROOM SWITCHES
 8. N/C
 9. BLK(W5002) EXTEND ROOM 3
 10. BLK(W5102) RETRACT ROOM 3
 11. BLK(W5003) EXTEND ROOM 4
 12. BLK(W5103) RETRACT ROOM 4



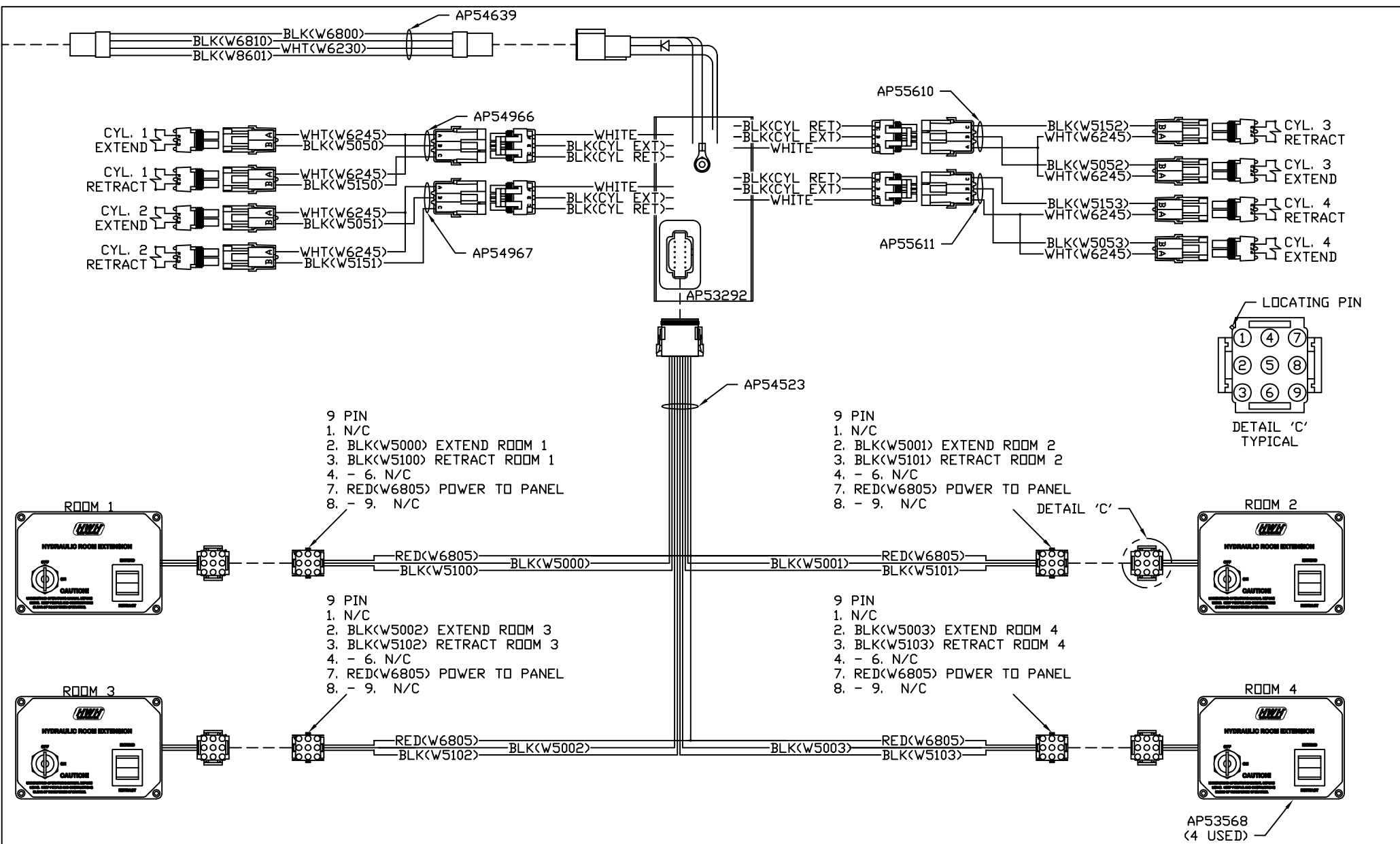
AP53292

			HWH I-80 EXIT 267 SOUTH RT 1 MOSCOW, IOWA 52760		
			SCALE 1:3	DATE 15AUG16	DRAWN BY .
			SYSTEM SCHEMATIC ELEC		
NO.	DATE	REVISION			
THE INFORMATION DISCLOSED ON THIS DRAWING IS CONFIDENTIAL AND MUST NOT BE DISCLOSED OR USED IN ANY MANNER WHICH WILL BE DETRIMENTAL TO THE HWH CORPORATION			DRAWING NUMBER MP91250 A/C		

NOTE: INSTALLATION MUST CONFORM TO GOOD SHOP PRACTICES, SAE STANDARDS, RVIA STANDARDS, AND OTHER APPLICABLE STANDARDS.



NOTE: INSTALLATION MUST CONFORM TO GOOD SHOP PRACTICES, SAE STANDARDS, RVIA STANDARDS, AND OTHER APPLICABLE STANDARDS.



NOTE: INSTALLATION MUST CONFORM TO GOOD SHOP PRACTICES, SAE STANDARDS, RVIA STANDARDS, AND OTHER APPLICABLE STANDARDS.