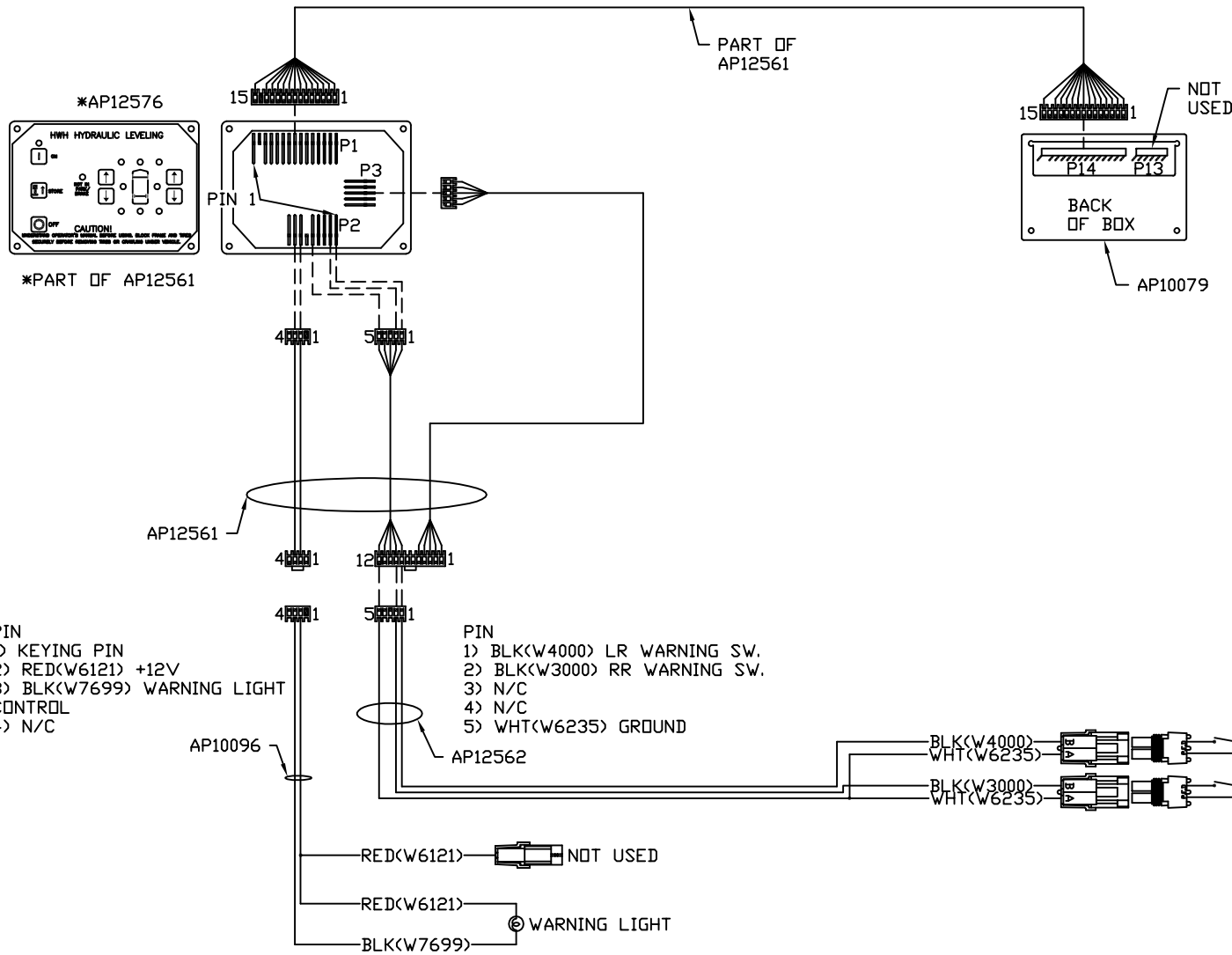


- P6
- 1) N/C
  - 2) N/C
  - 3) RED<W6120> ACC.
- P8
- 1) RED<W6100> BATT.
  - 2) RED<W6100> BATT.
  - 3) RED<W6100> BATT.
  - 4) N/C
  - 5) BLK<W9000> PARK BRAKE
  - 6) BLK<W8600> PUMP RELAY
- P7
- 1) N/C
  - 2) N/C
  - 3) BLK<W8100> PRESS. SW.
  - 4) BLK<W4400> LR SOLENOID
  - 5) BLK<W3400> RR SOLENOID
  - 6) BLK<W1400> LF SOLENOID
  - 7) N/C
  - 8) BLK<W2400> RF SOLENOID
  - 9) N/C

NOTE: WIRE NUMBERS ON THIS SHEET ARE REFERENCED TO HARNESS PLUGS.

NOTE: INSTALLATION MUST CONFORM TO GOOD SHOP PRACTICES, SAE STANDARDS, RVIA STANDARDS, AND OTHER APPLICABLE STANDARDS.

		HWH		I-80 EXIT 267 SOUTH RT 1 MOSCOW, IOWA 52760	
		SCALE 1:3	DATE 20SEP16	DRAWN BY .	
		SYSTEM SCHEMATIC ELEC			
NO.	DATE	REVISION			
		THE INFORMATION DISCLOSED ON THIS DRAWING IS CONFIDENTIAL AND MUST NOT BE DISCLOSED OR USED IN ANY MANNER WHICH WILL BE DETRIMENTAL TO THE HWH CORPORATION			
				DRAWING NUMBER MP91255 A/B	



- P14 - P1
- 1) WHT<W20> WARNING SENSE
  - 2) WHT<W12> STORE RETURN
  - 3) BLK<W24> SWITCHED ACCESSORY
  - 4) BLK<W23> ACCESSORY
  - 5) WHT<W11> STORE RETURN
  - 6) WHT<W16> PARK BRAKE
  - 7) WHT<W3> GROUND
  - 8) WHT<W1> PUMP
  - 9) WHT<W22> STORE
  - 10) WHT<W13> PUMP
  - 11) WHT<W18> LEFT FRONT
  - 12) WHT<W14> LEFT REAR
  - 13) WHT<W10> RIGHT REAR
  - 14) KEYING PIN
  - 15) WHT<W4> RIGHT FRONT

NOTE: WIRE NUMBERS ON THIS SHEET ARE REFERENCED TO HARNESS PLUGS.

- PIN
- 1) KEYING PIN
  - 2) RED<W6121> +12V
  - 3) BLK<W7699> WARNING LIGHT CONTROL
  - 4) N/C

- PIN
- 1) BLK<W4000> LR WARNING SW.
  - 2) BLK<W3000> RR WARNING SW.
  - 3) N/C
  - 4) N/C
  - 5) WHT<W6235> GROUND

NOTE: INSTALLATION MUST CONFORM TO GOOD SHOP PRACTICES, SAE STANDARDS, RVIA STANDARDS, AND OTHER APPLICABLE STANDARDS.