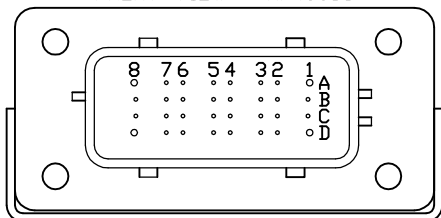


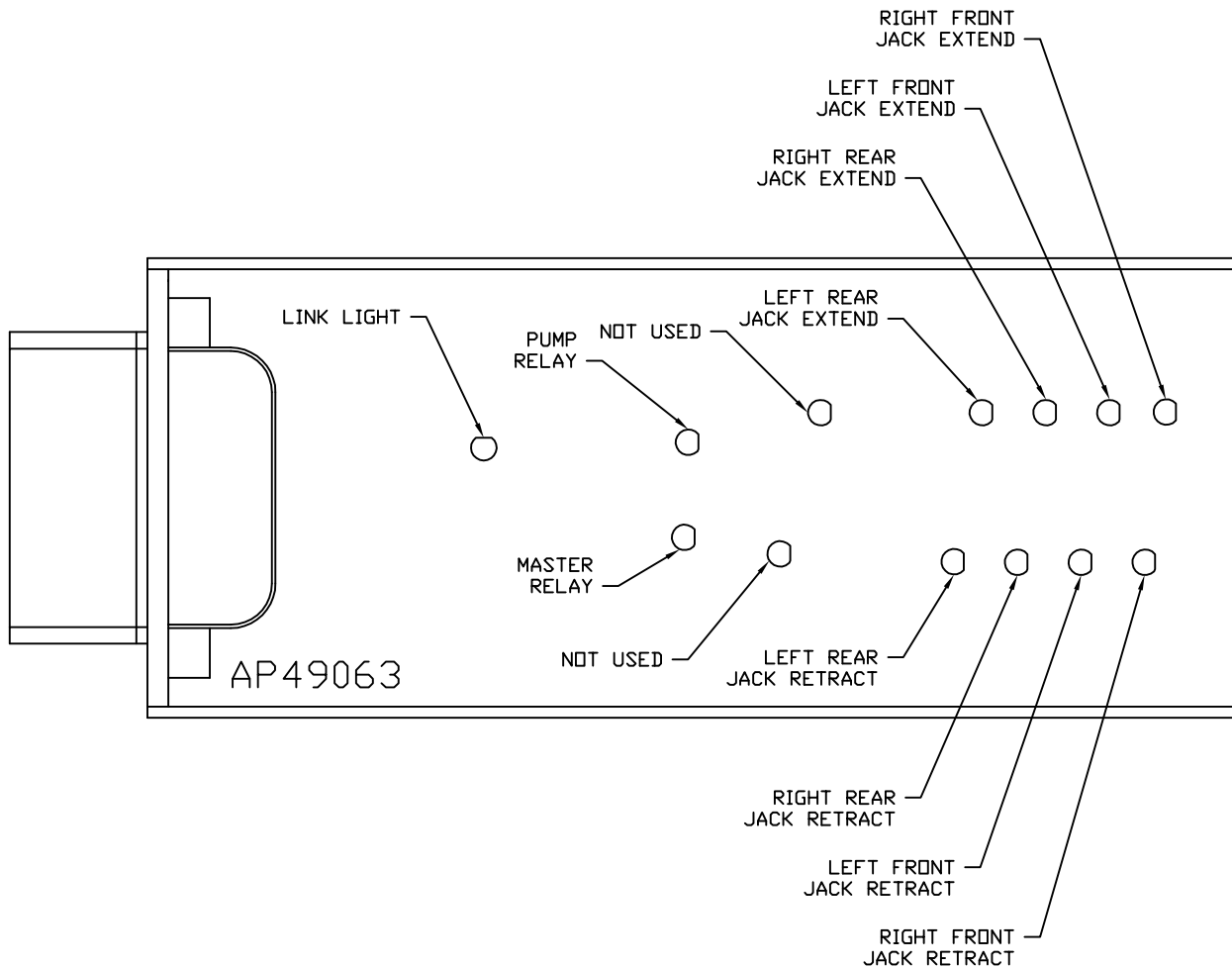
FRONT VIEW - AP49063



PIN

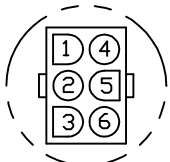
- A1. BLK<W8601> - NOT USED
- A2. YELLOW - CAN HIGH
- A3. N/C
- A4. N/C
- A5. BLK<W2000> - RIGHT FRONT JACK WARNING SWITCH
- A6. BLK<W2200> - RIGHT FRONT JACK PRESSURE SWITCH
- A7. BLK<W3200> - RIGHT REAR JACK PRESSURE SWITCH
- A8. BLACK - NOT USED
- B1. RED<W6801> - TOUCH PANEL POWER
- B2. GREEN - CAN LOW
- B3. WHT<W6230> - TOUCH PANEL GROUND
- B4. N/C
- B5. BLK<W3000> - RIGHT REAR JACK WARNING SWITCH
- B6. BLK<W4200> - LEFT REAR JACK PRESSURE SWITCH
- B7. N/C
- B8. BLK<W8100> - SYSTEM PRESSURE SWITCH
- C1. RED<W6802> - LEVEL SENSOR POWER
- C2. CAN SHIELD
- C3. WHT<W6231> - LEVEL SENSOR GROUND
- C4. BLK<W0400> - REAR SENSE
- C5. BLK<W4000> - LEFT REAR JACK WARNING SWITCH
- C6. N/C
- C7. N/C
- C8. BLK<W0300> - RIGHT SIDE SENSE
- D1. BLK<W6800> - SWITCHED BATTERY FROM PANEL
- D2. WHT<W6235> - WARNING SWITCH GROUND
- D3. N/C
- D4. BLK<W1000> - LEFT FRONT JACK WARNING SWITCH
- D5. BLK<W1200> - LEFT FRONT JACK PRESSURE SWITCH
- D6. BLK<W0100> - LEFT SIDE SENSE
- D7. BLK<W0200> - FRONT SENSE
- D8. WHT<W6230> - GROUND

NOTE: WIRE NUMBERS ON THIS SHEET ARE REFERENCED TO HARNESS PLUGS.



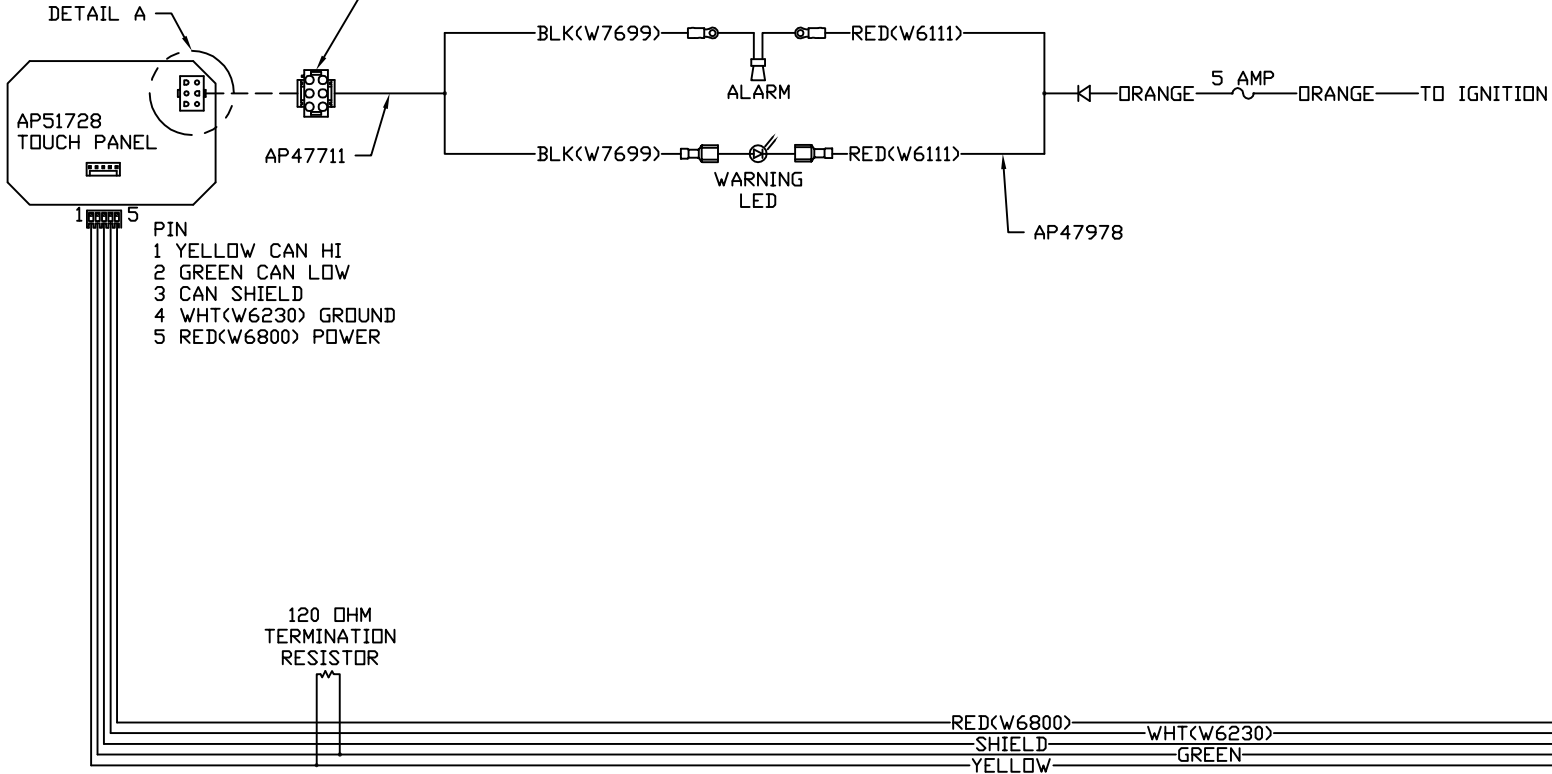
NOTE: INSTALLATION MUST CONFORM TO GOOD SHOP PRACTICES, SAE STANDARDS, RVIA STANDARDS, AND OTHER APPLICABLE STANDARDS.

		HWH		I-80 EXIT 267 SOUTH RT 1 MOSCOW, IOWA 52760	
		SCALE 1:3	DATE 06FEB17	DRAWN BY .	
		SYSTEM SCHEMATIC ELEC			
NO.	DATE	REVISION			
THE INFORMATION DISCLOSED ON THIS DRAWING IS CONFIDENTIAL AND MUST NOT BE DISCLOSED OR USED IN ANY MANNER WHICH WILL BE DETRIMENTAL TO THE HWH CORPORATION			DRAWING NUMBER MP91279 A/C		



DETAIL A

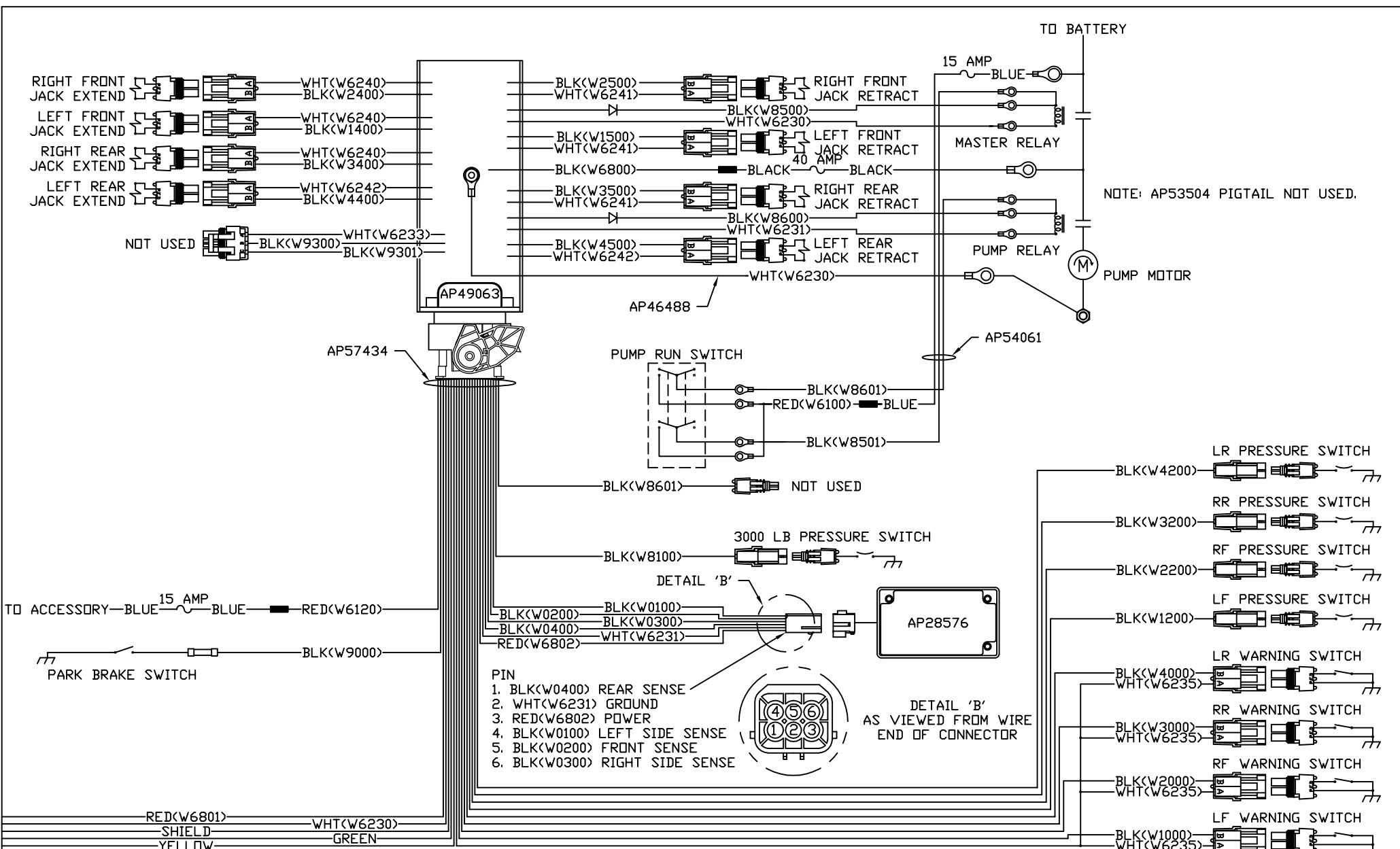
- PIN
 1. N/C
 2. N/C
 3. N/C
 4. N/C
 5. BLK(W7699) WARNING LED/ALARM CONTROL
 6. N/C



NOTE: INSTALLATION MUST CONFORM TO GOOD SHOP PRACTICES, SAE STANDARDS, RVIA STANDARDS, AND OTHER APPLICABLE STANDARDS.

AP57434

MP91279 B
06FEB17



NOTE: INSTALLATION MUST CONFORM TO GOOD SHOP PRACTICES, SAE STANDARDS, RVIA STANDARDS, AND OTHER APPLICABLE STANDARDS.