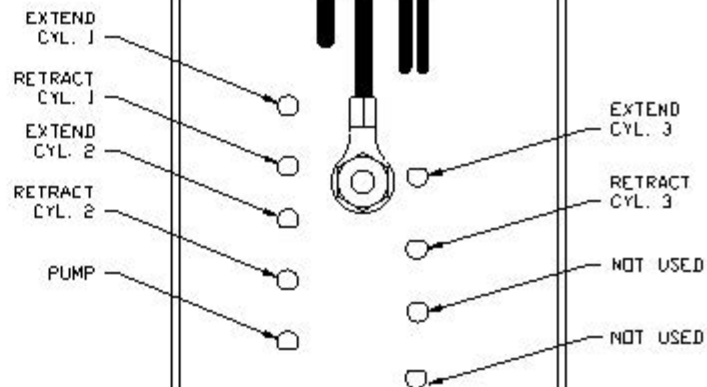
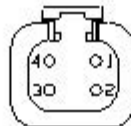


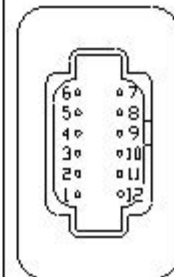
PIN

1. RED(W610) SW. BATTERY FROM PUMP RELAY
2. RED(W6100) BATTERY FROM PUMP RELAY
3. BLK(W8601) PUMP (HAS DIODE)
4. WHT(W6230) GROUND



PIN

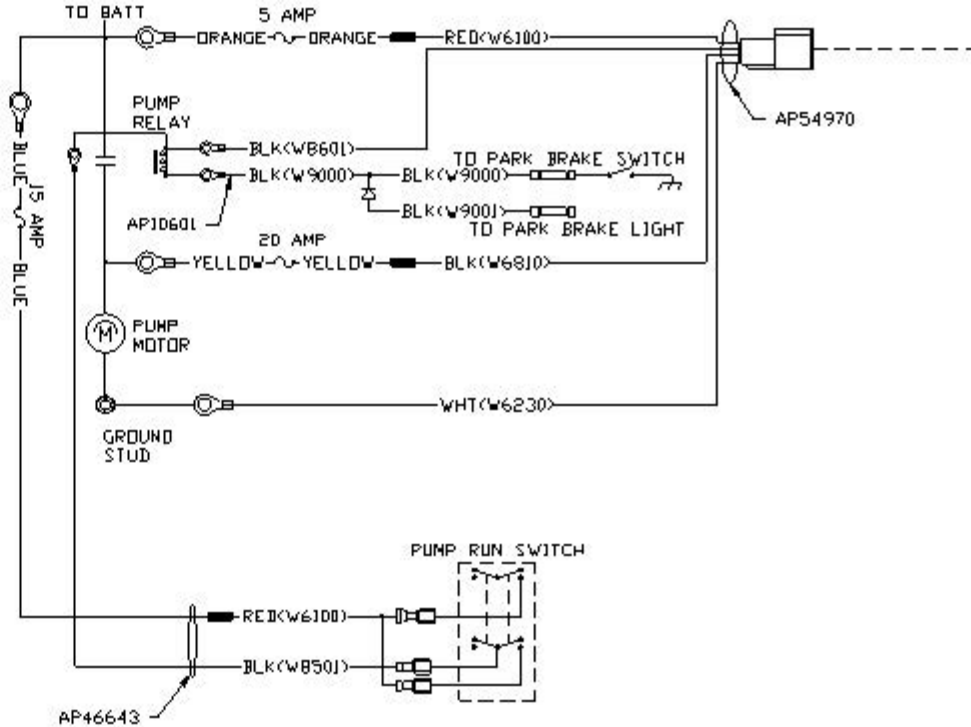
1. BLK(W5000) EXTEND ROOM 1
2. BLK(W5100) RETRACT ROOM 1
3. BLK(W5001) EXTEND ROOM 2
4. BLK(W5101) RETRACT ROOM 2
5. N/C
6. N/C
7. RED(W6805) +12V TO ROOM SWITCHES
8. N/C
9. BLK(W5002) EXTEND ROOM 3
10. BLK(W5102) RETRACT ROOM 3
11. N/C
12. N/C



AP53292

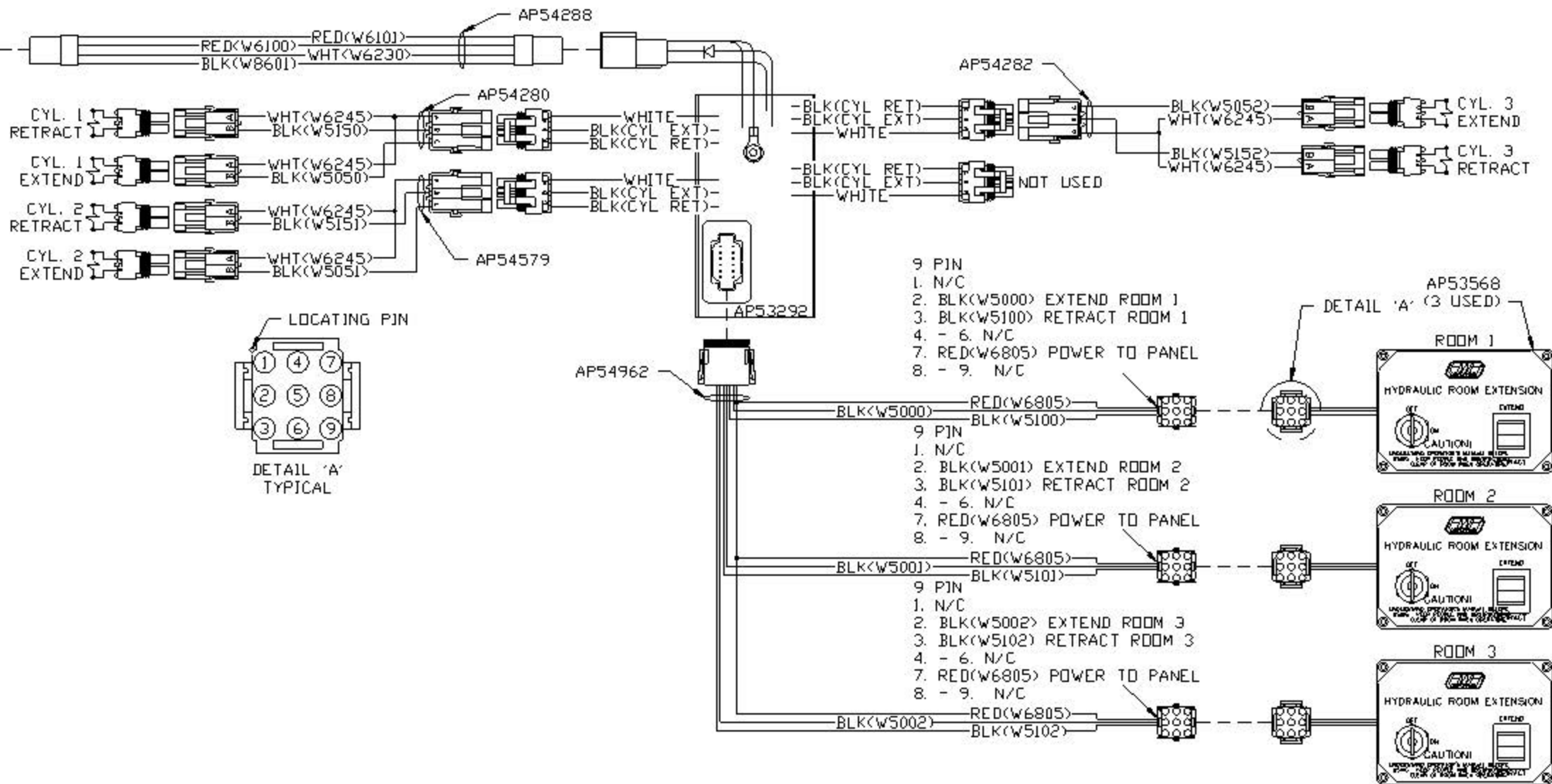
			HWH		1-80 EXIT 267 SOUTH RT J MOSCOW, IOWA 52760	
			SCALE 1:3	DATE 16MAY19	DRAWN BY	
			SYSTEM SCHEMATIC ELEC			
NO	DATE	REVISION				
THE INFORMATION DISCLOSED ON THIS DRAWING IS CONFIDENTIAL AND MUST NOT BE DISCLOSED OR USED IN ANY MANNER WHICH WILL BE DETRIMENTAL TO THE HWH CORPORATION			DRAWING NUMBER MP91469 A/C			

NOTE: INSTALLATION MUST CONFORM TO GOOD SHOP PRACTICES, SAE STANDARDS, RVIA STANDARDS, AND OTHER APPLICABLE STANDARDS.



NOTE: INSTALLATION MUST CONFORM TO GOOD SHOP PRACTICES, SAE STANDARDS, RVIA STANDARDS, AND OTHER APPLICABLE STANDARDS.

MP91469 B
16MAY19



NOTE: INSTALLATION MUST CONFORM TO GOOD SHOP PRACTICES, SAE STANDARDS, RVIA STANDARDS, AND OTHER APPLICABLE STANDARDS.