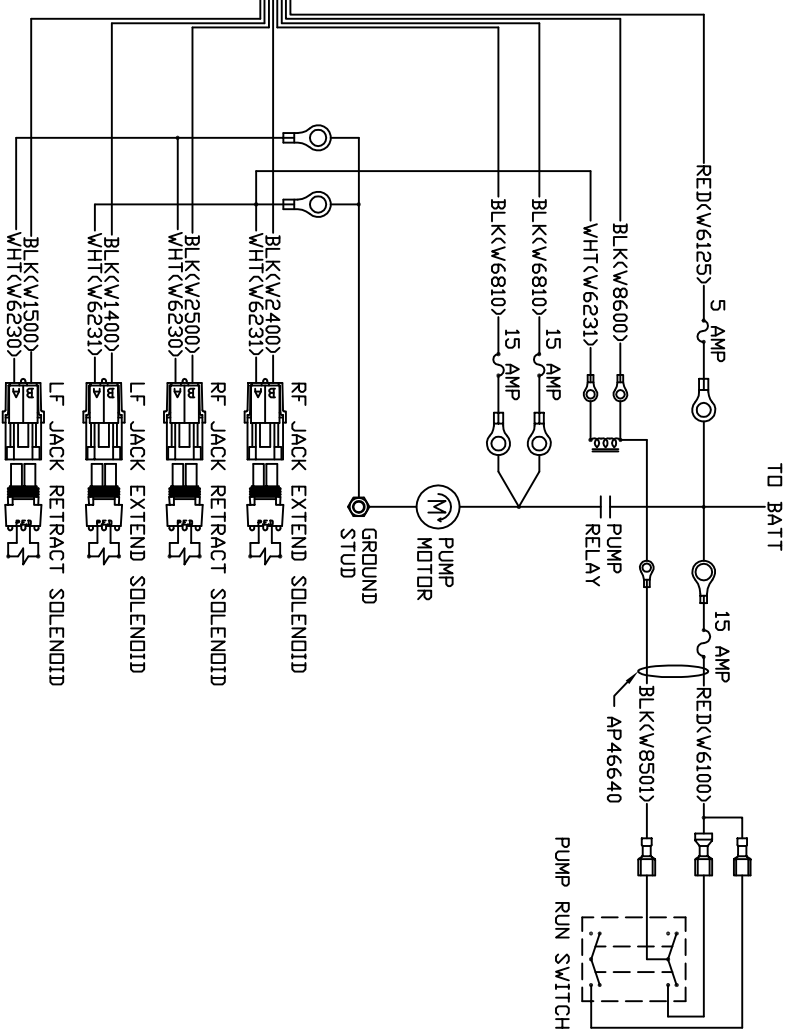
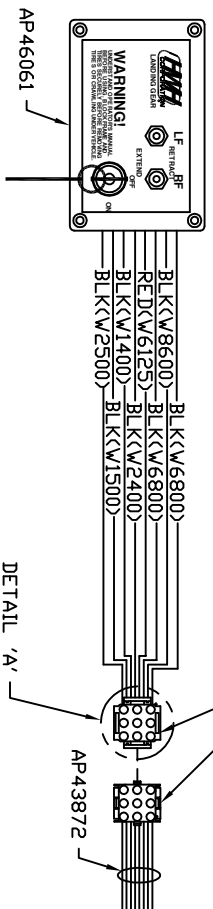


- PIN
1. N/C
  2. BLK(W8600) PUMP CONTROL
  3. RED(W6125) BATTERY
  4. BLK(W6810) SW. BATTERY
  5. BLK(W6810) SW. BATTERY
  6. BLK(W2400) RF JACK EXTEND
  7. BLK(W1400) LF JACK EXTEND
  8. BLK(W1500) LF JACK RETRACT
  9. BLK(W2500) RF JACK RETRACT



NOTE: INSTALLATION MUST CONFORM TO GOOD SHOP PRACTICES, SAE STANDARDS, RVIA STANDARDS, AND OTHER APPLICABLE STANDARDS.

NO.	DATE	REVISION

<p>THE INFORMATION DISCLOSED ON THIS DRAWING IS CONFIDENTIAL AND MUST NOT BE DISCLOSED OR USED IN ANY MANNER WHICH WILL BE DETRIMENTAL TO THE HWH CORPORATION</p>	<p>SCALE 1:3 DATE 14AUG19 DRAWN BY .</p>	<p>HWH 1-80 EXIT 267 SOUTH RT 1 MOSCOW, IDWA 52760</p>
<p>SYSTEM SCHEMATIC ELEC</p>	<p>DRAWING NUMBER MP91486</p>	