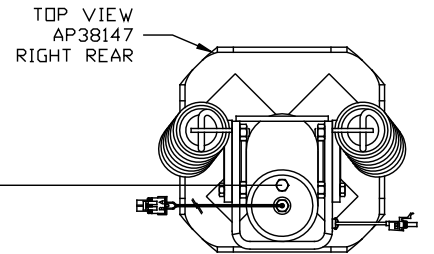
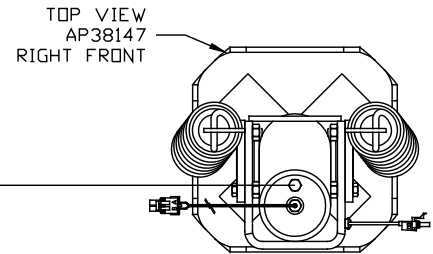
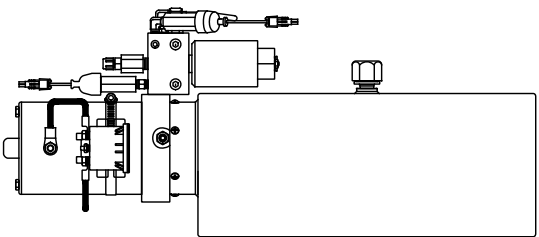
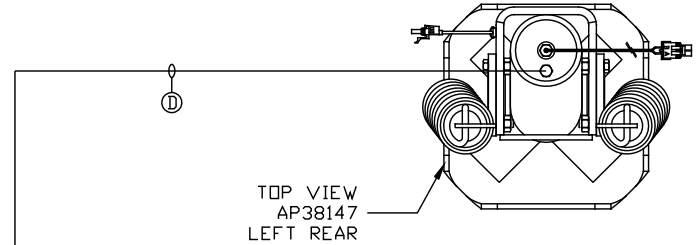
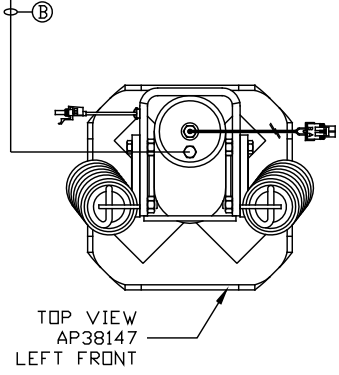
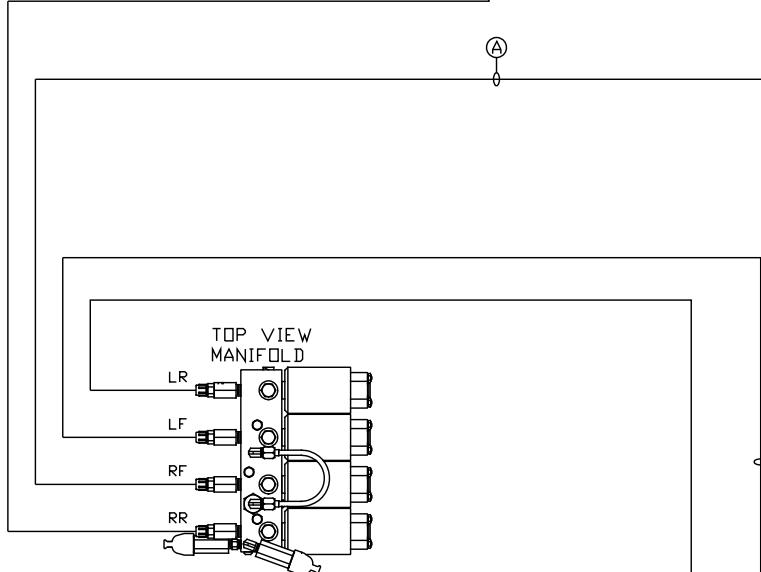


ORIENTATION
← FRONT



- Ⓐ AP4729 HOSE ASSY .25" x 280"
- Ⓑ AP4063 HOSE ASSY .25" x 288"
- Ⓒ AP4311 HOSE ASSY .25" x 354"
- Ⓓ AP4163 HOSE ASSY .25" x 360"

CROSS TIES REQUIRED FOR
FRONT AND REAR JACKS



LOCATION AND ORIENTATION OF
PUMP/MANIFOLD ASSEMBLY WILL
DIFFER DEPENDING UPON O.E.M.

NOTE: INSTALLATION MUST CONFORM TO GOOD SHOP PRACTICES, SAE
STANDARDS, RVIA STANDARDS, AND OTHER APPLICABLE STANDARDS.

LEVELING SYSTEM: AP42780

⚠	25JUL12	WAS AP36195
NO.	DATE	REVISION
THE INFORMATION DISCLOSED ON THIS DRAWING IS CONFIDENTIAL AND MUST NOT BE DISCLOSED OR USED IN ANY MANNER WHICH WILL BE DETRIMENTAL TO THE HWH CORPORATION		

HWH			I-80 EXIT 267 SOUTH RT 1 MOSCOW, IOWA 52760		
SCALE 1:6	DATE 12MAY08	DRAWN BY .			
HYD CONN DIAGRAM					
LIFELINE				DRAWING NUMBER MP70008	