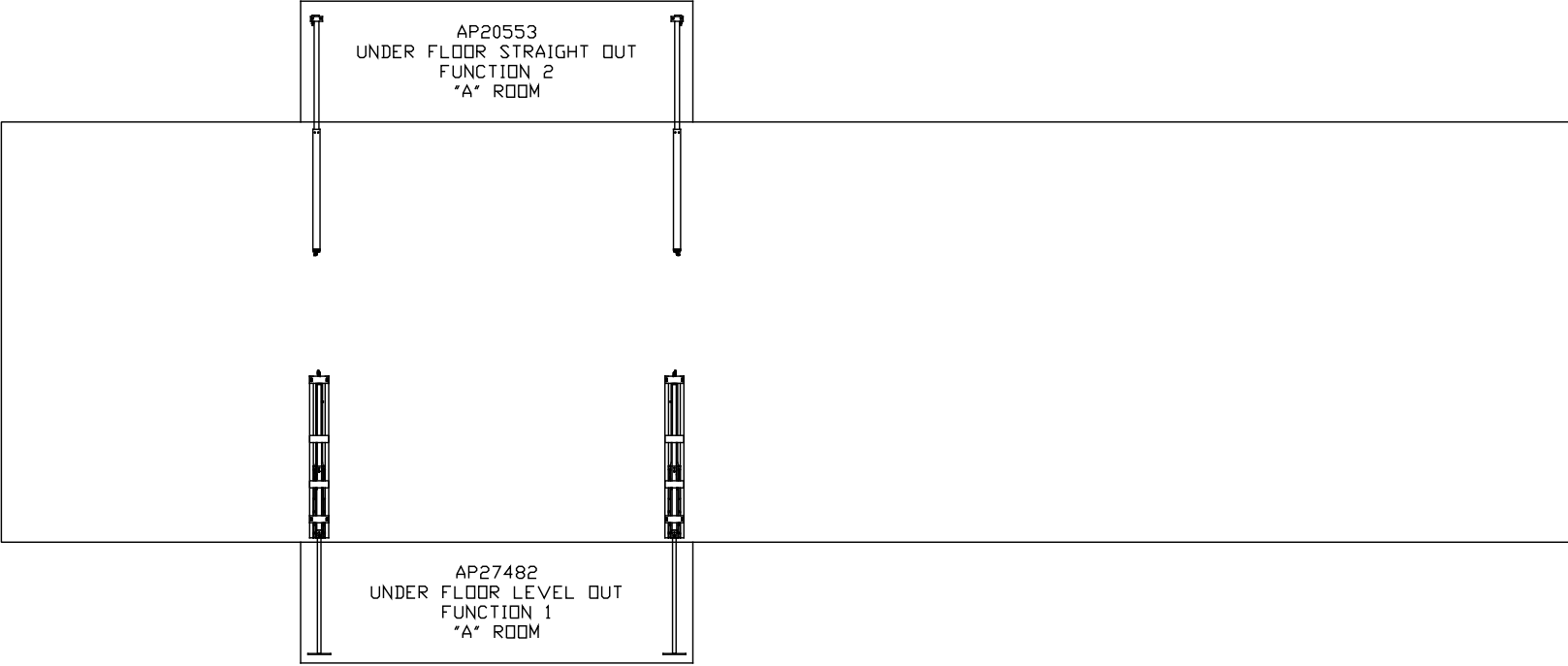


ORIENTATION
 ← FRONT



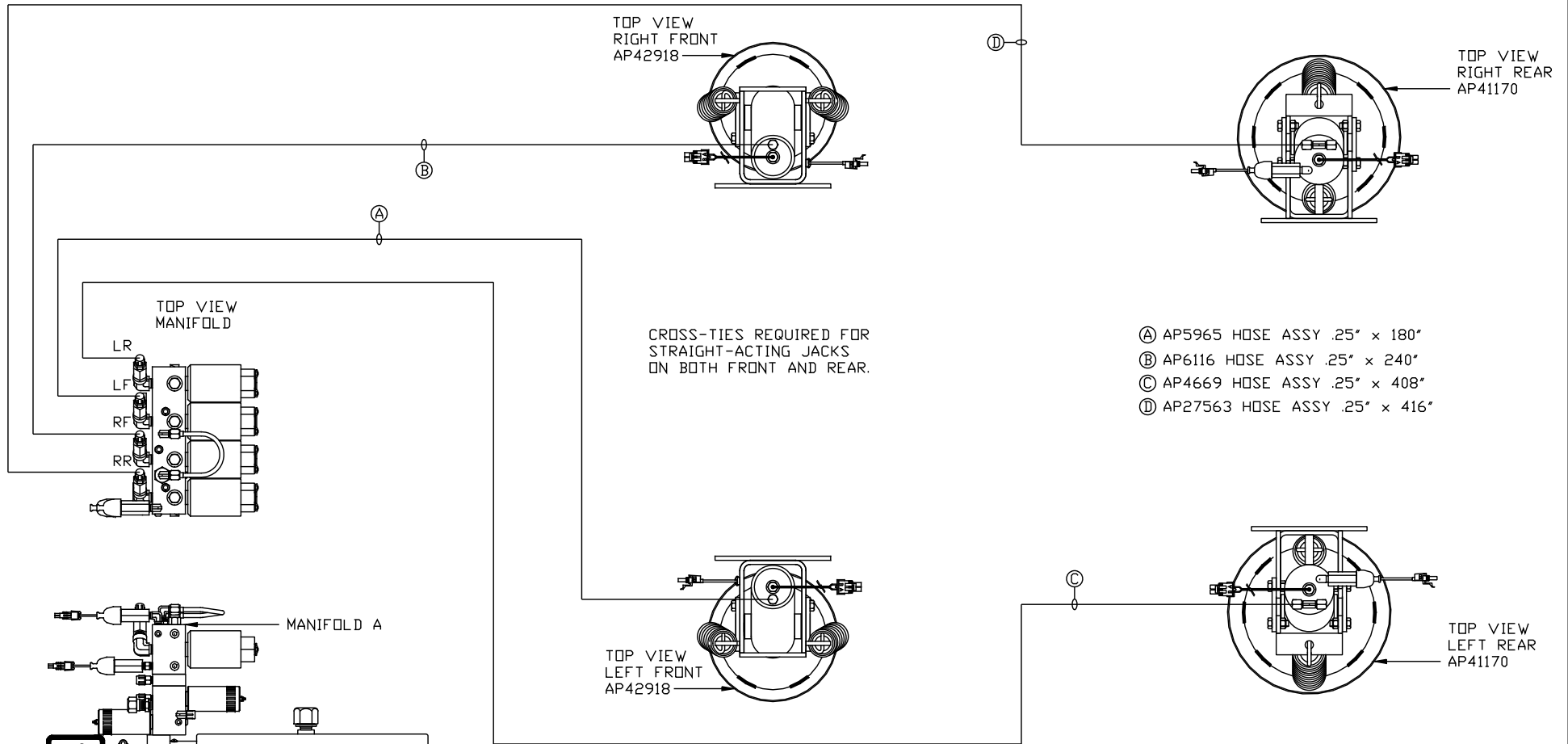
NOTE: INSTALLATION MUST CONFORM TO GOOD SHOP PRACTICES, SAE STANDARDS, RVIA STANDARDS, AND OTHER APPLICABLE STANDARDS.

LEVELING SYSTEM: AP42877

		HWH		I-80 EXIT 267 SOUTH RT 1 MOSCOW, IOWA 52760	
		SCALE 1:6	DATE 18JUN08	DRAWN BY .	
		HYD CONN DIAGRAM			
NO.	DATE	REVISION		TRIPLE E	
THE INFORMATION DISCLOSED ON THIS DRAWING IS CONFIDENTIAL AND MUST NOT BE DISCLOSED OR USED IN ANY MANNER WHICH WILL BE DETRIMENTAL TO THE HWH CORPORATION				DRAWING NUMBER MP70014 A/D	

ORIENTATION

← FRONT



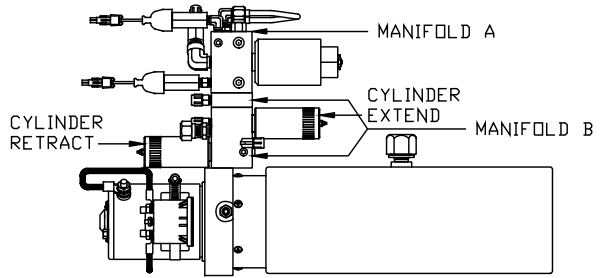
- ① AP5965 HOSE ASSY .25" x 180"
- ② AP6116 HOSE ASSY .25" x 240"
- ③ AP4669 HOSE ASSY .25" x 408"
- ④ AP27563 HOSE ASSY .25" x 416"

NOTE: INSTALLATION MUST CONFORM TO GOOD SHOP PRACTICES, SAE STANDARDS, RVIA STANDARDS, AND OTHER APPLICABLE STANDARDS.

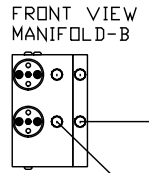
MP70014 B/D
18JUN08

ORIENTATION

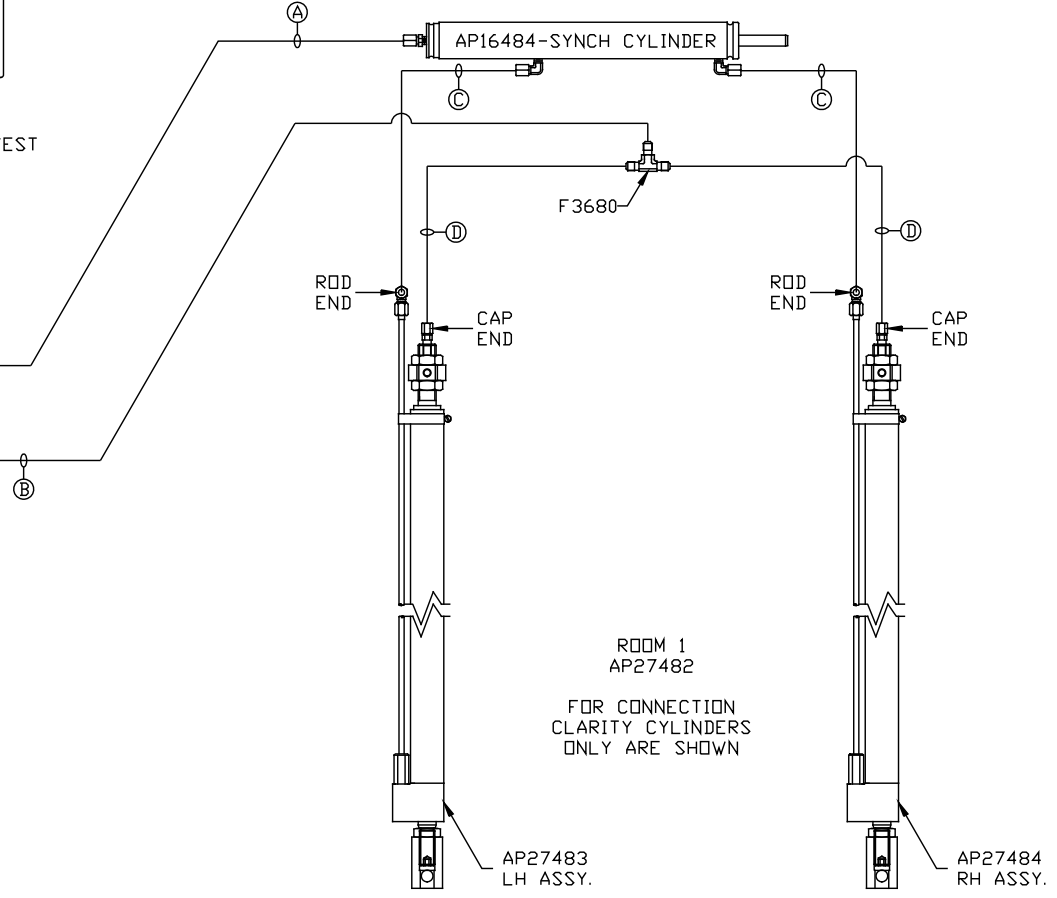
← FRONT



SIDE VIEW PUMP/MANIFOLD-AP38396
 ORIENTATION OF POWER UNIT IS GLASS WEST



FRONT VIEW
 MANIFOLD-B



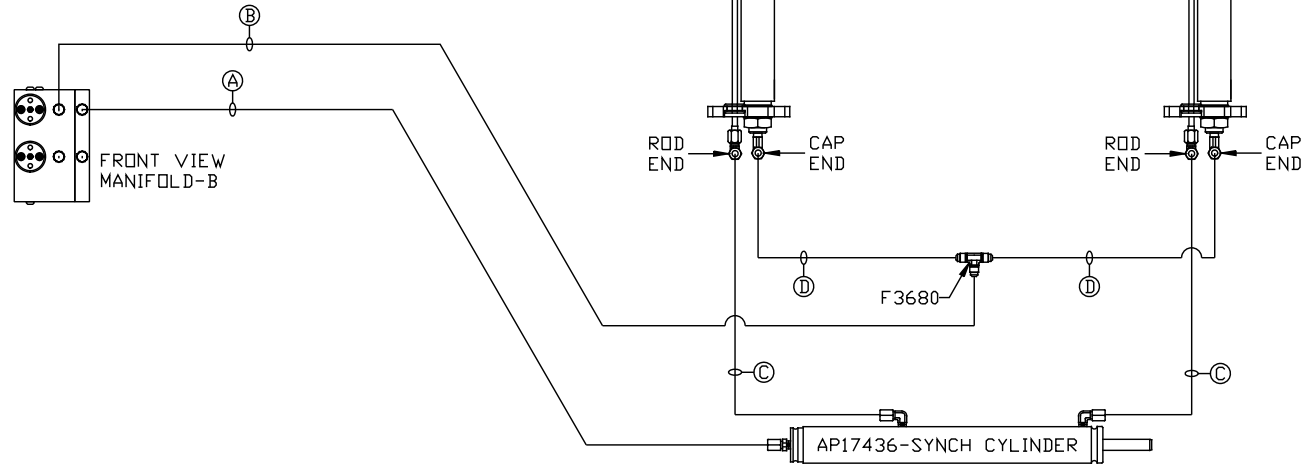
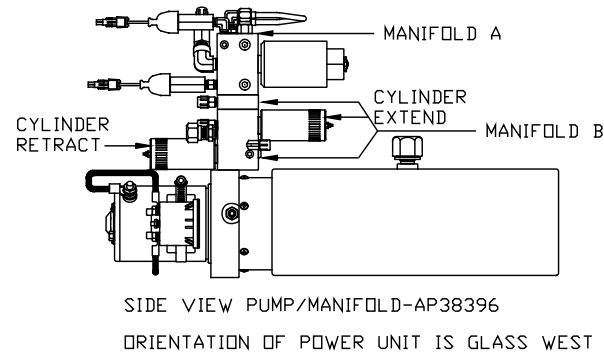
- Ⓐ AP5965 HOSE ASSY .25" x 180"
ROD END - ALWAYS PRESSURIZED
- Ⓑ AP4162 HOSE ASSY .25" x 192"
CAP END
- Ⓒ AP24639 HOSE ASSY HWH02HP X 96"
ROD END - ALWAYS PRESSURIZED
HOSES MUST BE HIGH PRESSURE
HOSES OF EQUAL LENGTH AND DIAMETER
- Ⓓ AP4073 HOSE ASSY .25" x 60"
CAP END - HOSES MUST MAINTAIN
EQUAL LENGTH AND DIAMETER

NOTE: INSTALLATION MUST CONFORM TO GOOD SHOP PRACTICES, SAE STANDARDS, RVIA STANDARDS, AND OTHER APPLICABLE STANDARDS.

MP70014 C/D
 18JUN08

ORIENTATION

← FRONT



- Ⓐ AP4310 HOSE ASSY .25" x 204"
ROD END - ALWAYS PRESSURIZED
- Ⓑ AP4061 HOSE ASSY .25" x 216"
CAP END
- Ⓒ AP24639 HOSE ASSY HWH02HP X 96"
ROD END - ALWAYS PRESSURIZED
HOSES MUST BE HIGH PRESSURE
HOSES OF EQUAL LENGTH AND DIAMETER
- Ⓓ AP1412 HOSE ASSY .25" x 84"
CAP END - HOSES MUST MAINTAIN
EQUAL LENGTH AND DIAMETER

NOTE: INSTALLATION MUST CONFORM TO GOOD SHOP PRACTICES, SAE STANDARDS, RVIA STANDARDS, AND OTHER APPLICABLE STANDARDS.

MP70014 D/D
18JUN08