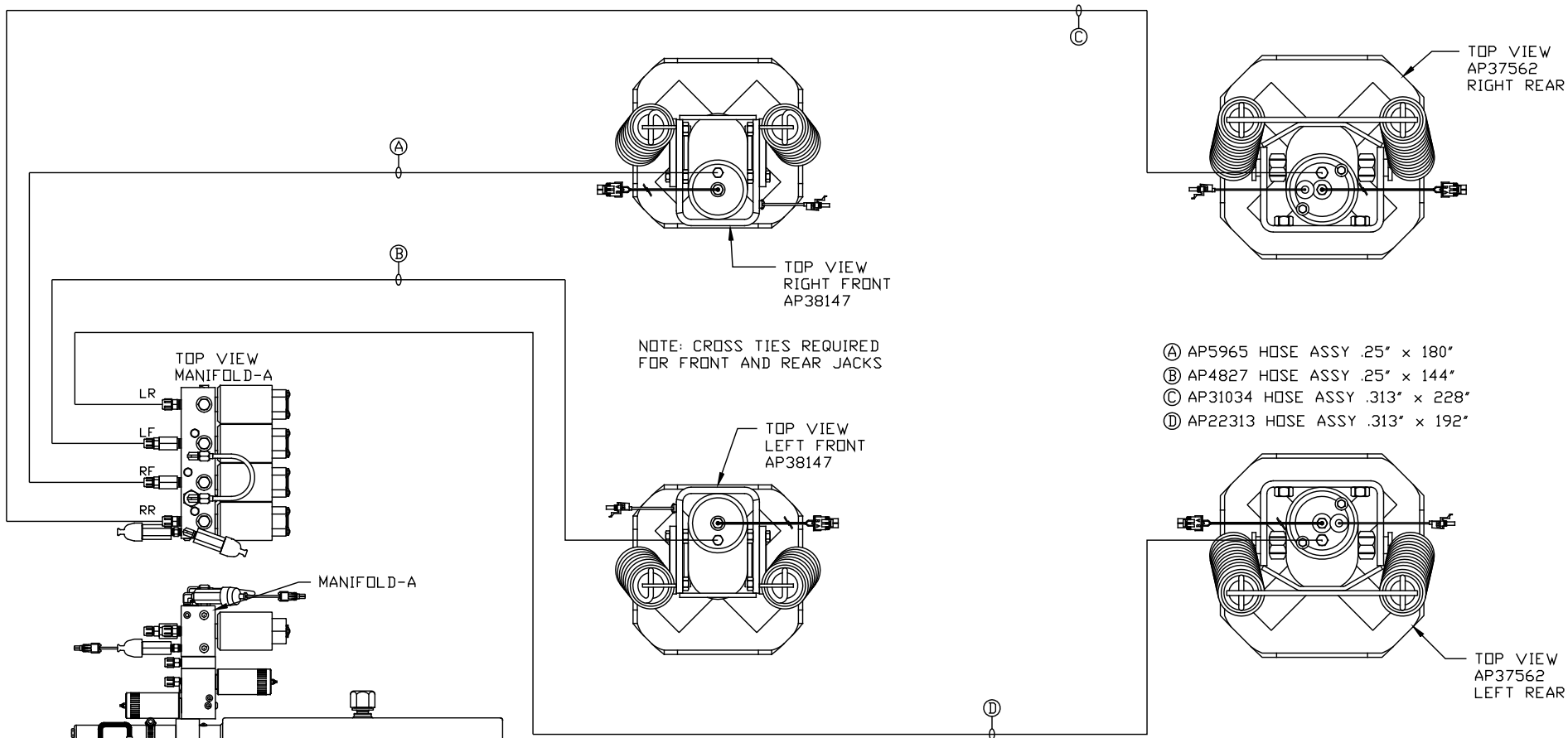
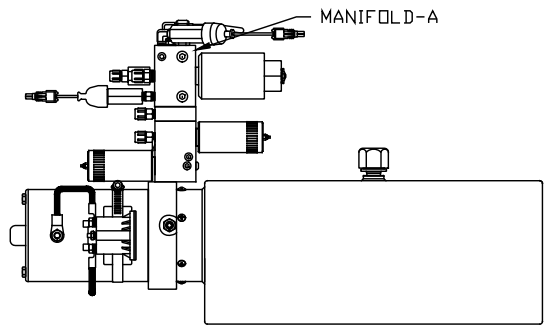
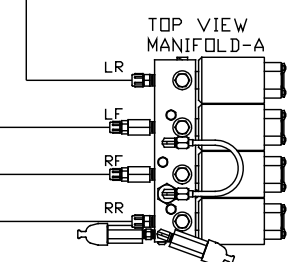


ORIENTATION  
← FRONT



- Ⓐ AP5965 HOSE ASSY .25" x 180"
- Ⓑ AP4827 HOSE ASSY .25" x 144"
- Ⓒ AP31034 HOSE ASSY .313" x 228"
- Ⓓ AP22313 HOSE ASSY .313" x 192"



LOCATION AND ORIENTATION OF PUMP/MANIFOLD ASSEMBLY WILL DIFFER DEPENDING UPON O.E.M.

NOTE: INSTALLATION MUST CONFORM TO GOOD SHOP PRACTICES, SAE STANDARDS, RVIA STANDARDS, AND OTHER APPLICABLE STANDARDS.

LEVELING SYSTEM: AP43109

NO.	DATE	REVISION
THE INFORMATION DISCLOSED ON THIS DRAWING IS CONFIDENTIAL AND MUST NOT BE DISCLOSED OR USED IN ANY MANNER WHICH WILL BE DETRIMENTAL TO THE HWH CORPORATION		

<b>HWH</b>			I-80 EXIT 267 SOUTH RT 1 MOSCOW, IOWA 52760		
SCALE 1:6	DATE 02JUL08	DRAWN BY .			
HYD CONN DIAGRAM					
SVI TRUCKS				DRAWING NUMBER MP70027 A/B	

ORIENTATION

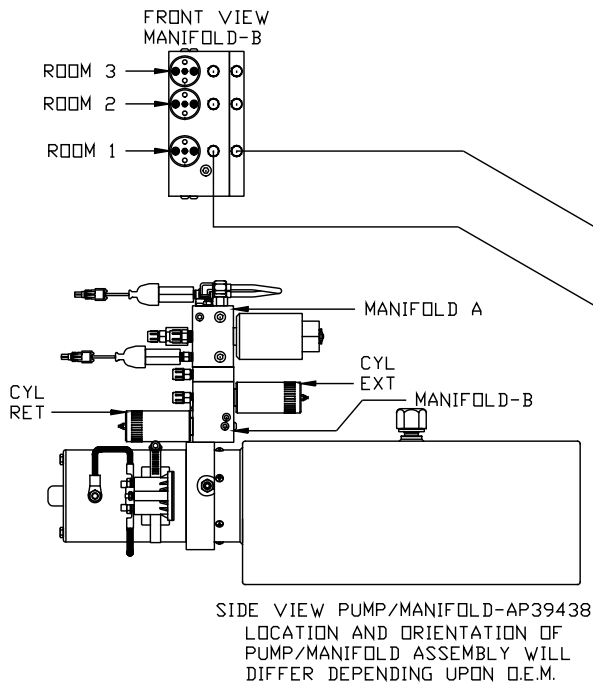
← FRONT

\*: PART OF THE ROOM  
EXTENSION MECHANISM.

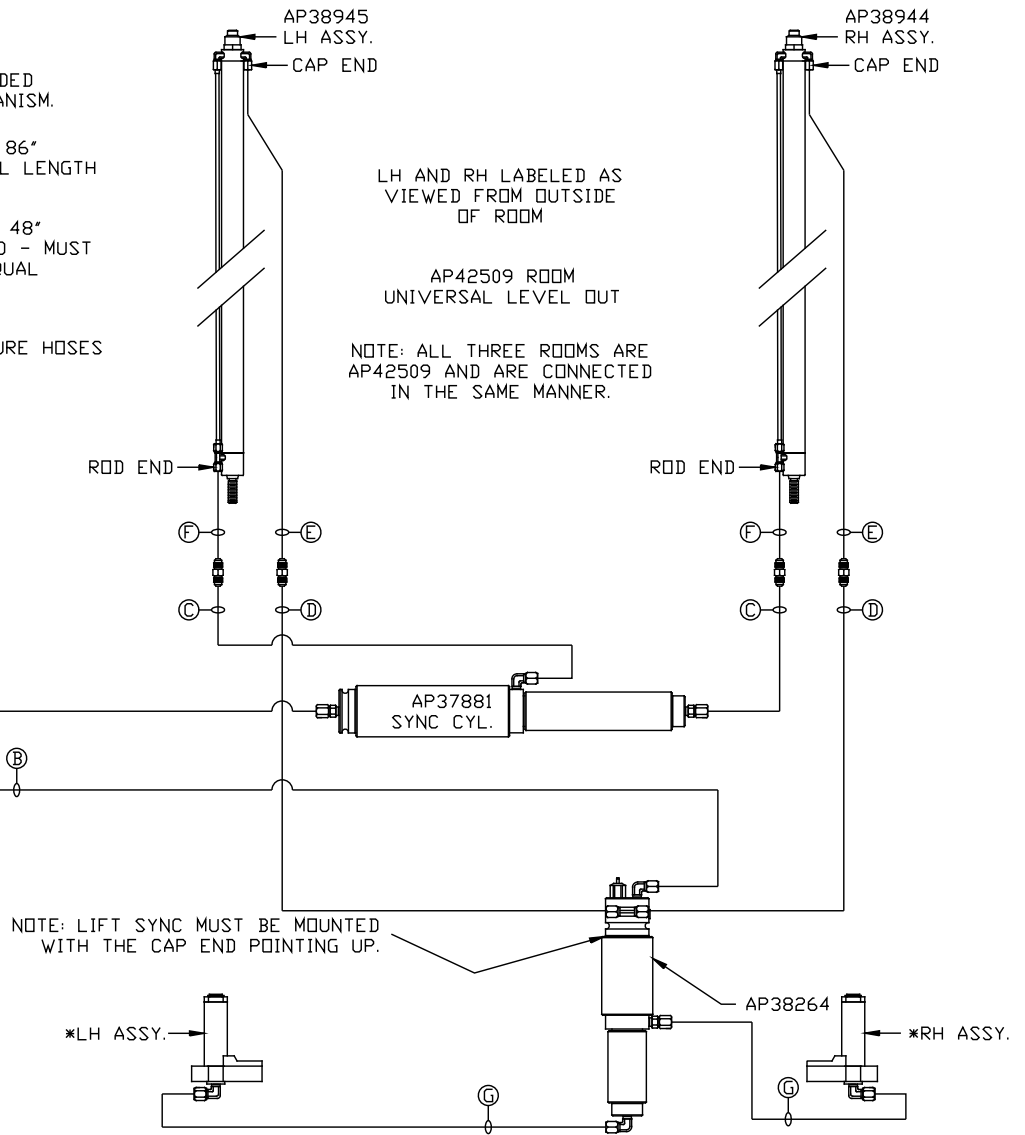
- Ⓐ .25" ID HOSE  
ROD END - ALWAYS PRESSURIZED
- Ⓑ .25" ID HOSE  
CAP END
- Ⓒ .125" ID HOSE  
ROD END - ALWAYS PRESSURIZED - MUST  
BE HIGH PRESSURE HOSES OF EQUAL  
LENGTH AND DIAMETER
- Ⓓ .125" ID HOSE  
CAP END - MUST MAINTAIN EQUAL LENGTH  
AND DIAMETER

NOTE: HOSES Ⓔ AND Ⓕ ARE INCLUDED  
WITH THE ROOM EXTENSION MECHANISM.

- Ⓔ AP24818 HOSE ASSY HWH02HP x 86"  
CAP END - MUST MAINTAIN EQUAL LENGTH  
AND DIAMETER
- Ⓕ AP24632 HOSE ASSY HWH02HP x 48"  
ROD END - ALWAYS PRESSURIZED - MUST  
BE HIGH PRESSURE HOSES OF EQUAL  
LENGTH AND DIAMETER
- Ⓖ .125" ID HOSE  
CAP END - MUST BE HIGH PRESSURE HOSES  
OF EQUAL LENGTH AND DIAMETER



NOTE: INSTALLATION MUST CONFORM TO GOOD SHOP PRACTICES, SAE  
STANDARDS, RVIA STANDARDS, AND OTHER APPLICABLE STANDARDS.



MP70027 B/B  
02JUL08