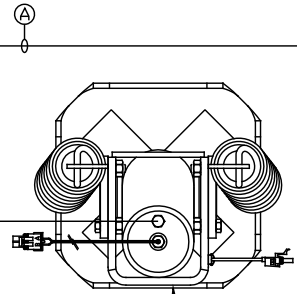
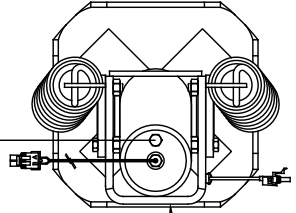


ORIENTATION
← FRONT



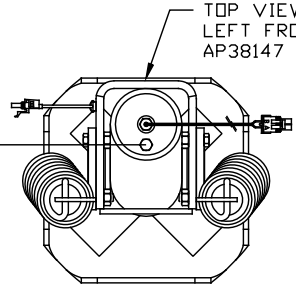
TOP VIEW
RIGHT FRONT
AP38147



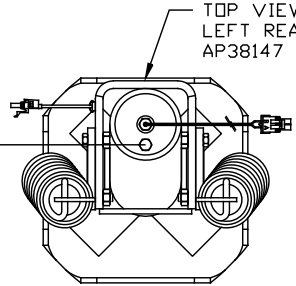
TOP VIEW
RIGHT REAR
AP38147

- Ⓐ AP4163 HOSE ASSY .25" x 360"
- Ⓑ AP4063 HOSE ASSY .25" x 288"
- Ⓒ AP4729 HOSE ASSY .25" x 280"
- Ⓓ AP4311 HOSE ASSY .25" x 354"

NOTE: CROSS TIES REQUIRED FOR FRONT AND REAR JACKS

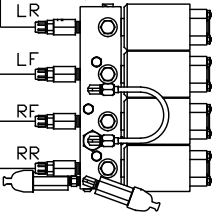


TOP VIEW
LEFT FRONT
AP38147

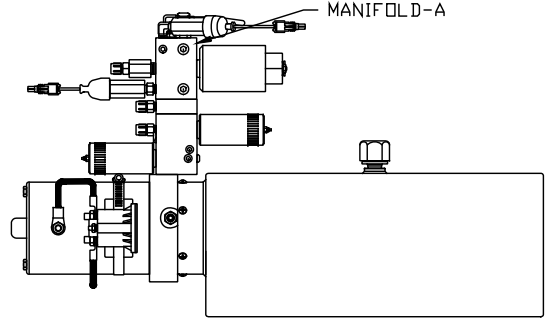


TOP VIEW
LEFT REAR
AP38147

TOP VIEW
MANIFOLD-A



MANIFOLD-A



SIDE VIEW PUMP/MANIFOLD-AP45242 ⚠

LOCATION AND ORIENTATION OF PUMP/MANIFOLD ASSEMBLY WILL DIFFER DEPENDING UPON O.E.M.

NOTE: INSTALLATION MUST CONFORM TO GOOD SHOP PRACTICES, SAE STANDARDS, RVIA STANDARDS, AND OTHER APPLICABLE STANDARDS.

LEVELING SYSTEM: AP43335

⚠	26JUL12	WAS AP36694,AP38944+45
NO.	DATE	REVISION
THE INFORMATION DISCLOSED ON THIS DRAWING IS CONFIDENTIAL AND MUST NOT BE DISCLOSED OR USED IN ANY MANNER WHICH WILL BE DETRIMENTAL TO THE HWH CORPORATION		

HWH		I-80 EXIT 267 SOUTH RT 1 MOSCOW, IOWA 52760	
SCALE 1:6	DATE 16SEP08	DRAWN BY .	
HYD CONN DIAGRAM			
LIFELINE		DRAWING NUMBER MP70037 A/B	

ORIENTATION

← FRONT

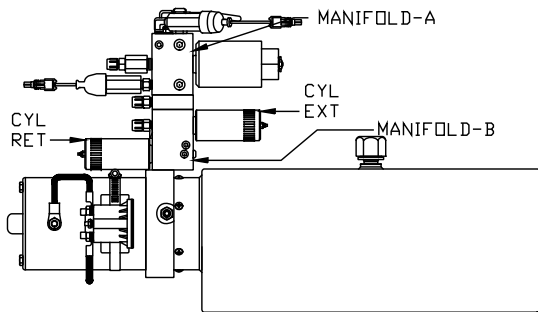
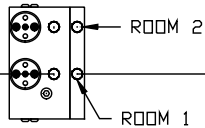
*: PART OF THE ROOM
EXTENSION MECHANISM.

- Ⓐ .25" ID HOSE
ROD END - ALWAYS PRESSURIZED
- Ⓑ .25" ID HOSE
CAP END
- Ⓒ .125" ID DR 03 HOSE
ROD END - ALWAYS PRESSURIZED - MUST
BE HIGH PRESSURE HOSES OF EQUAL
LENGTH AND DIAMETER
- Ⓓ .25" ID HOSE
CAP END - MUST MAINTAIN EQUAL LENGTH
AND DIAMETER

NOTE: ITEMS Ⓔ AND Ⓕ ARE INCLUDED
WITH THE ROOM EXTENSION MECHANISM.

- Ⓔ AP48270 HYD TUBE 75.5"
WAS AP24818 HOSE ASSY HWH02HP x 86"
CAP END - MUST MAINTAIN EQUAL LENGTH
AND DIAMETER
- Ⓕ AP48355 HYD TUBE 42"
WAS AP24632 HOSE ASSY HWH02HP x 48"
ROD END - ALWAYS PRESSURIZED - MUST
BE HIGH PRESSURE HOSES OF EQUAL
LENGTH AND DIAMETER
- Ⓖ .125" ID DR 03 HOSE
CAP END - MUST BE HIGH PRESSURE HOSES
OF EQUAL LENGTH AND DIAMETER

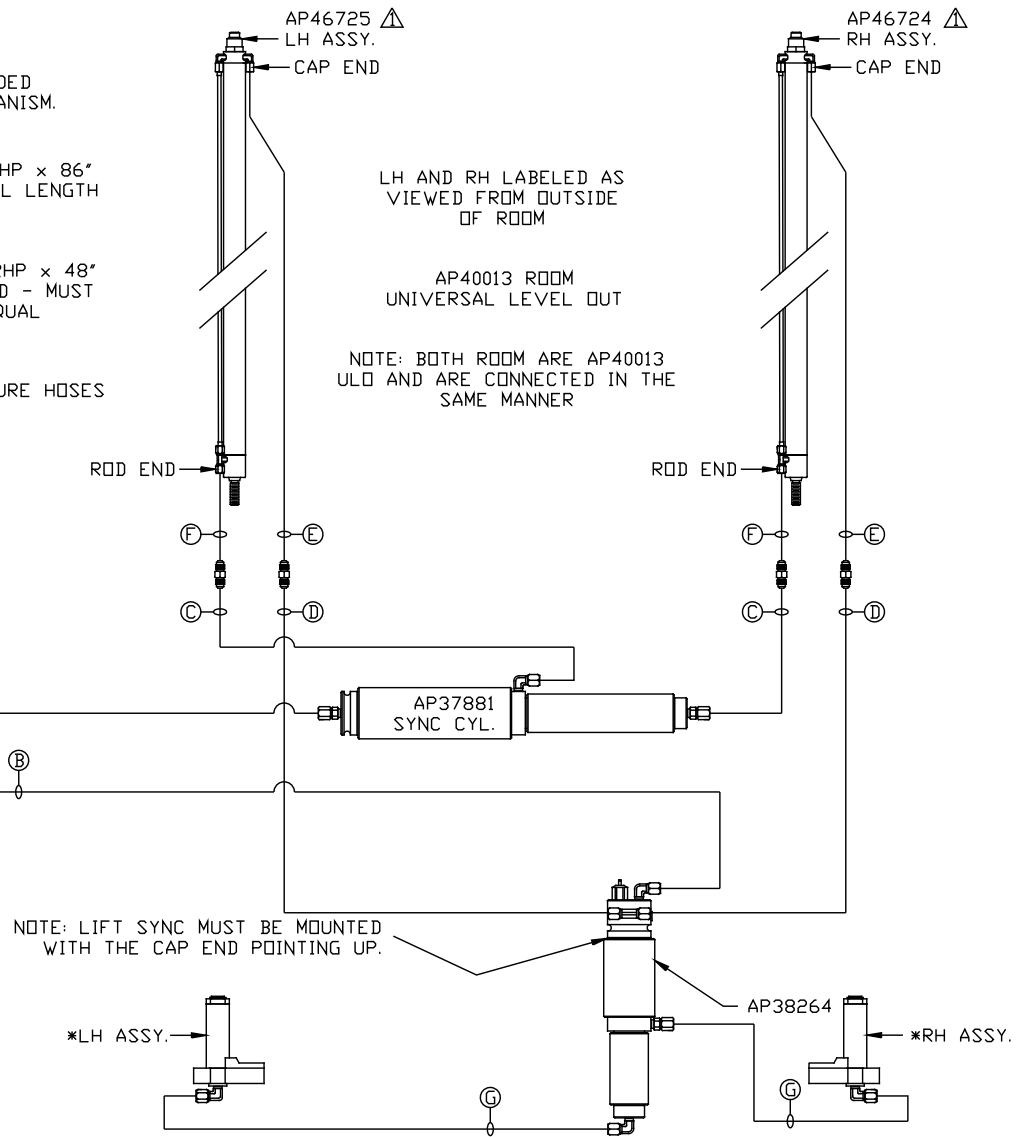
TOP VIEW
MANIFOLD-B



SIDE VIEW PUMP/MANIFOLD-AP45242 ⚠

LOCATION AND ORIENTATION OF
PUMP/MANIFOLD ASSEMBLY WILL
DIFFER DEPENDING UPON O.E.M.

NOTE: INSTALLATION MUST CONFORM TO GOOD SHOP PRACTICES, SAE
STANDARDS, RVIA STANDARDS, AND OTHER APPLICABLE STANDARDS.



MP70037 B/B
26JUL12