

ORIENTATION
← FRONT

TOP VIEW
AP43629
RIGHT FRONT

CAP END
ROD END

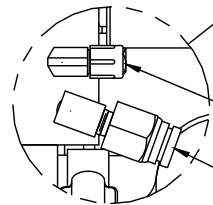
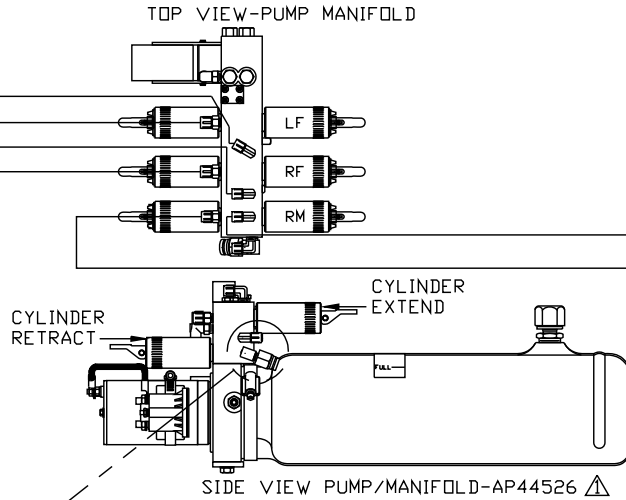
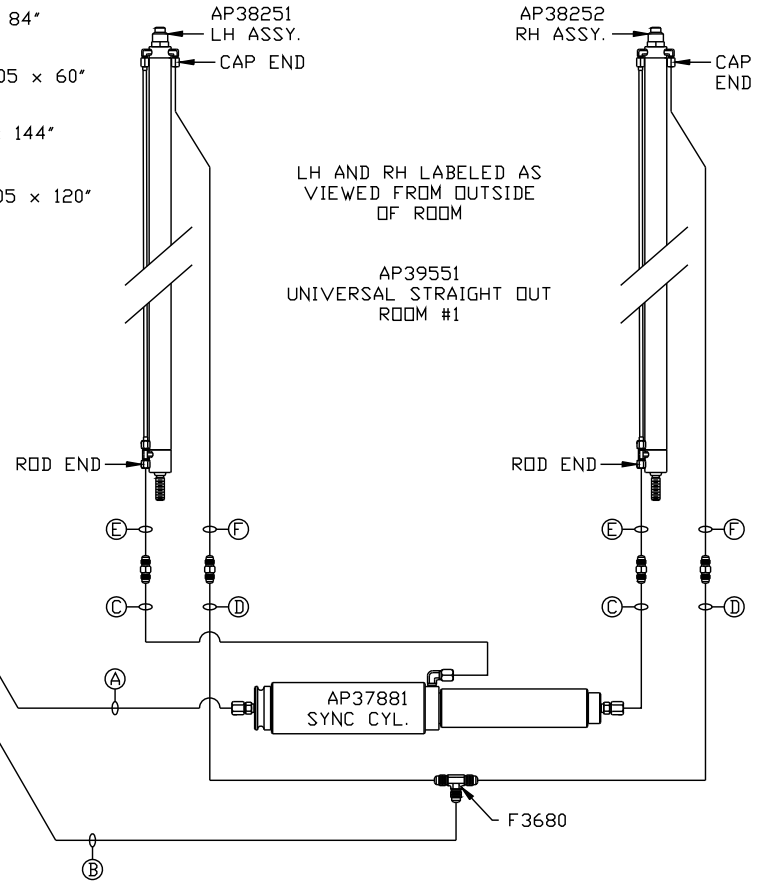
TOP VIEW
AP43629
LEFT FRONT

CAP END
ROD END

- Ⓐ AP5965 HOSE ASSY .25" x 180" ROD END - ALWAYS PRESSURIZED
- Ⓑ AP4162 HOSE ASSY .25" x 192" CAP END
- Ⓒ AP24636 HOSE ASSY HWH02HP x 84" ROD END - ALWAYS PRESSURIZED HOSES MUST MAINTAIN EQUAL LENGTH AND DIAMETER
- Ⓓ AP24639 HOSE ASSY HWH02HP x 96" CAP END - HOSES MUST MAINTAIN EQUAL LENGTH AND DIAMETER
- Ⓔ AP24632 HOSE ASSY HWH02HP x 48" ROD END - ALWAYS PRESSURIZED - HOSES MUST MAINTAIN EQUAL LENGTH AND DIAMETER

- Ⓕ AP24818 HOSE ASSY HWH02HP x 86" CAP END - MUST MAINTAIN EQUAL LENGTH AND DIAMETER
- Ⓖ AP1412 HOSE ASSY .25" x 84" ROD END
- Ⓗ AP43249 HOSE ASSY .25/05 x 60" CAP END
- Ⓘ AP4827 HOSE ASSY .25" x 144" ROD END
- Ⓢ AP43250 HOSE ASSY .25/05 x 120" CAP END

NOTE: HOSES Ⓒ AND Ⓕ ARE INCLUDED WITH THE ROOM EXTENSION MECHANISM



PRESSURE PORT FOR REMOTE MANIFOLD

RETURN PORT FOR REMOTE MANIFOLD

NOTE: INSTALLATION MUST CONFORM TO GOOD SHOP PRACTICES, SAE STANDARDS, RVIA STANDARDS, AND OTHER APPLICABLE STANDARDS.

JACK KIT: AP43628 (2 USED)
CONTROL PACKAGE: AP43804

⚠	30JUL12	WAS AP43985, AP43683
NO.	DATE	REVISION

THE INFORMATION DISCLOSED ON THIS DRAWING IS CONFIDENTIAL AND MUST NOT BE DISCLOSED OR USED IN ANY MANNER WHICH WILL BE DETRIMENTAL TO THE HWH CORPORATION

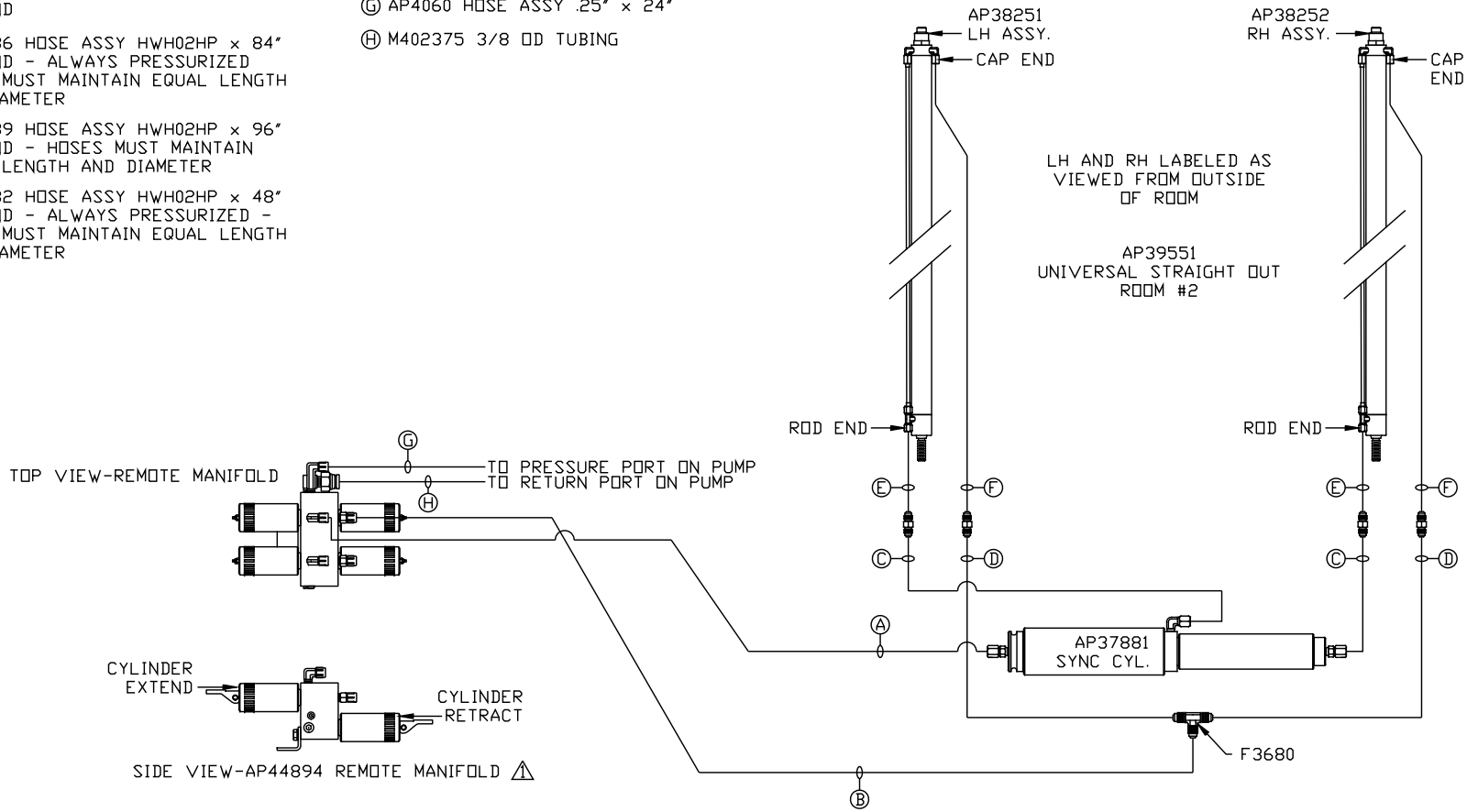
HWH			I-80 EXIT 267 SOUTH RT 1 MOSCOW, IOWA 52760		
SCALE 1:6	DATE 23DEC08	DRAWN BY .			
HYD CONN DIAGRAM					
BLOOMER				DRAWING NUMBER MP70096 A/C	

ORIENTATION

← FRONT

NOTE: HOSES (E) AND (F) ARE INCLUDED WITH THE ROOM EXTENSION MECHANISM

- (A) AP5965 HOSE ASSY .25" x 180"
ROD END - ALWAYS PRESSURIZED
- (B) AP4162 HOSE ASSY .25" x 192"
CAP END
- (C) AP24636 HOSE ASSY HWH02HP x 84"
ROD END - ALWAYS PRESSURIZED
HOSES MUST MAINTAIN EQUAL LENGTH AND DIAMETER
- (D) AP24639 HOSE ASSY HWH02HP x 96"
CAP END - HOSES MUST MAINTAIN EQUAL LENGTH AND DIAMETER
- (E) AP24632 HOSE ASSY HWH02HP x 48"
ROD END - ALWAYS PRESSURIZED -
HOSES MUST MAINTAIN EQUAL LENGTH AND DIAMETER
- (F) AP24818 HOSE ASSY HWH02HP x 86"
CAP END - MUST MAINTAIN EQUAL LENGTH AND DIAMETER
- (G) AP4060 HOSE ASSY .25" x 24"
- (H) M402375 3/8 OD TUBING



NOTE: INSTALLATION MUST CONFORM TO GOOD SHOP PRACTICES, SAE STANDARDS, RVIA STANDARDS, AND OTHER APPLICABLE STANDARDS.

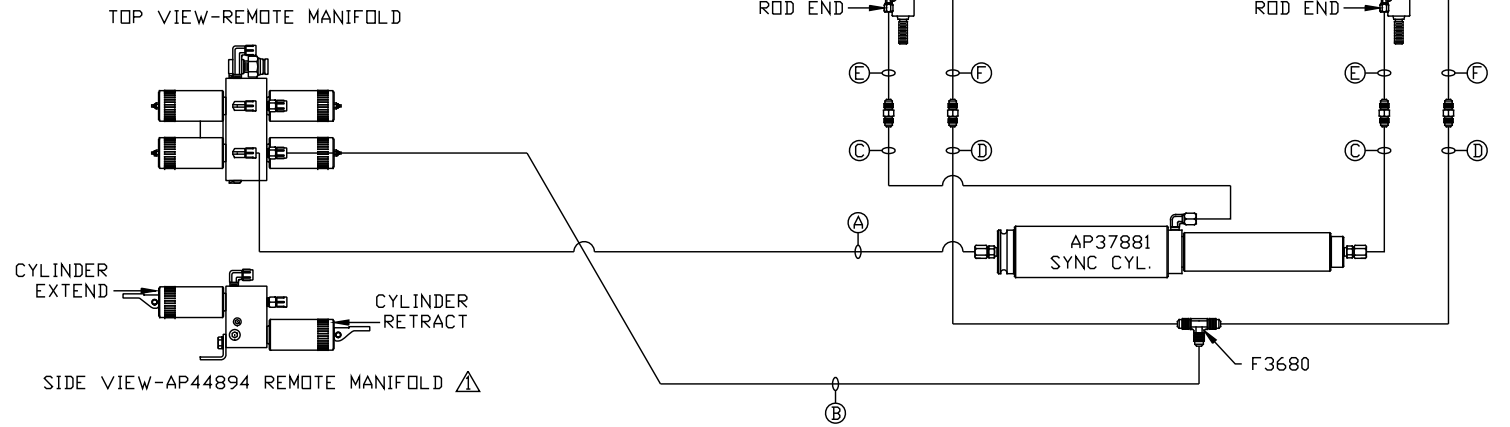
MP70096 B/C
30JUL12

ORIENTATION

← FRONT

NOTE: HOSES (E) AND (F) ARE INCLUDED WITH THE ROOM EXTENSION MECHANISM

- (A) AP4064 HOSE ASSY .25" x 300"
ROD END - ALWAYS PRESSURIZED
- (B) AP5216 HOSE ASSY .25" x 312"
CAP END
- (C) AP24636 HOSE ASSY HWH02HP x 84"
ROD END - ALWAYS PRESSURIZED
HOSES MUST MAINTAIN EQUAL LENGTH AND DIAMETER
- (D) AP24639 HOSE ASSY HWH02HP x 96"
CAP END - HOSES MUST MAINTAIN
EQUAL LENGTH AND DIAMETER
- (E) AP24632 HOSE ASSY HWH02HP x 48"
ROD END - ALWAYS PRESSURIZED -
HOSES MUST MAINTAIN EQUAL LENGTH
AND DIAMETER
- (F) AP24818 HOSE ASSY HWH02HP x 86"
CAP END - MUST MAINTAIN EQUAL
LENGTH AND DIAMETER



NOTE: INSTALLATION MUST CONFORM TO GOOD SHOP PRACTICES, SAE STANDARDS, RVIA STANDARDS, AND OTHER APPLICABLE STANDARDS.

MP70096 C/C
30JUL12