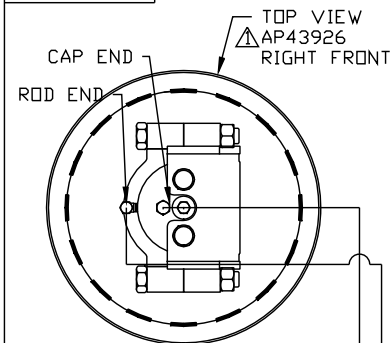


ORIENTATION  
← FRONT



- Ⓐ AP1410 HOSE ASSY .25" x 139" OR AP4827 HOSE ASSY .25" x 144" ROD END - ALWAYS PRESSURIZED
- Ⓑ AP4827 HOSE ASSY .25" x 144" OR AP4065 HOSE ASSY .25" x 156" CAP END
- Ⓒ AP24633 HOSE ASSY HWH02HP x 54" AP24819 HOSE ASSY HWH02HP x 100" ROD END - ALWAYS PRESSURIZED HOSES MUST MAINTAIN EQUAL LENGTH AND DIAMETER
- Ⓓ AP24634 HOSE ASSY HWH02HP x 60" AP5352 HOSE ASSY .25" x 96" CAP END - HOSES MUST MAINTAIN EQUAL LENGTH AND DIAMETER
- Ⓔ AP24632 HOSE ASSY HWH02HP x 48" ROD END - ALWAYS PRESSURIZED - HOSES MUST MAINTAIN EQUAL LENGTH AND DIAMETER

- Ⓕ AP24818 HOSE ASSY HWH02HP x 86" CAP END - MUST MAINTAIN EQUAL LENGTH AND DIAMETER
- Ⓖ HOSE ASSY .25" ROD END
- Ⓗ HOSE ASSY .25/05 OR .313" CAP END
- Ⓘ HOSE ASSY .25" ROD END
- Ⓢ HOSE ASSY .25/05 OR .313" CAP END

ROOM HOSE KIT  
AP38823 OR AP41164

NOTE: HOSES Ⓔ AND Ⓕ ARE INCLUDED WITH THE ROOM EXTENSION MECHANISM

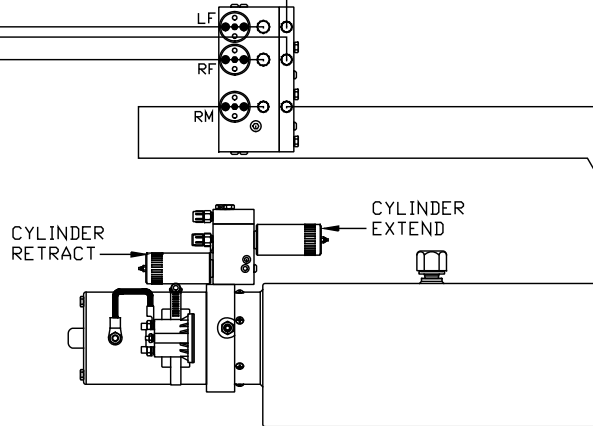
AP39705 OR AP38251 LH ASSY. CAP END

AP39704 OR AP38252 RH ASSY. CAP END

LH AND RH LABELED AS VIEWED FROM OUTSIDE OF ROOM

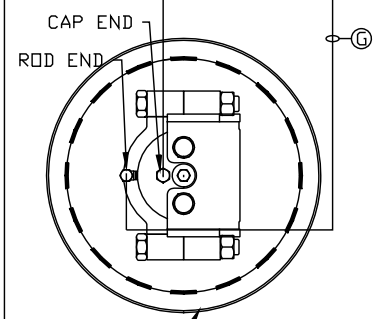
AP39638 OR AP41150 UNIVERSAL STRAIGHT OUT

FRONT VIEW-PUMP MANIFOLD

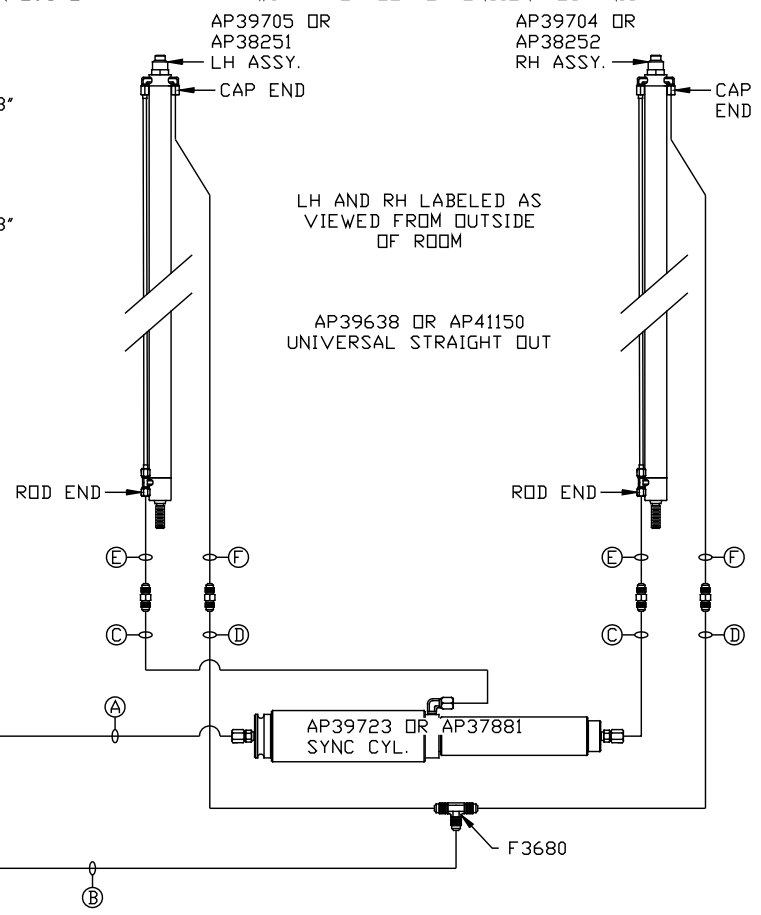


SIDE VIEW PUMP/MANIFOLD-AP43925

LOCATION AND ORIENTATION OF PUMP/MANIFOLD ASSEMBLY WILL DIFFER DEPENDING UPON O.E.M.



TOP VIEW AP43926 LEFT FRONT



NOTE: INSTALLATION MUST CONFORM TO GOOD SHOP PRACTICES, SAE STANDARDS, RVIA STANDARDS, AND OTHER APPLICABLE STANDARDS.

CONTROL PACKAGE: AP43915

⚠	30 JUL 12	AD'D ROOM+HOSE P/N, WAS AP43629
NO.	DATE	REVISION

HWH I-80 EXIT 267 SOUTH  
RT 1 MOSCOW, IOWA 52760

SCALE 1:6 DATE 23 DEC 08 DRAWN BY .

HYD CONN DIAGRAM

WILDSIDE DRAWING NUMBER MP70099

THE INFORMATION DISCLOSED ON THIS DRAWING IS CONFIDENTIAL AND MUST NOT BE DISCLOSED OR USED IN ANY MANNER WHICH WILL BE DETRIMENTAL TO THE HWH CORPORATION