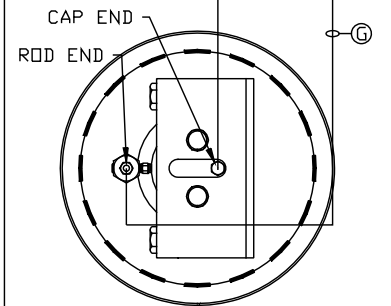
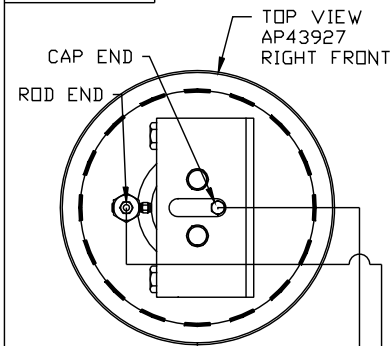


ORIENTATION
← FRONT



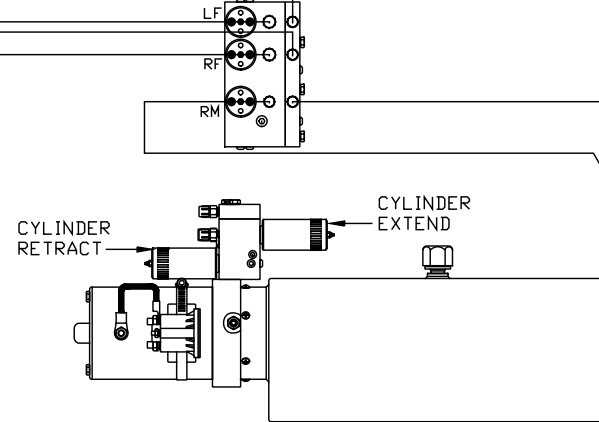
TOP VIEW
AP43927
LEFT FRONT

- Ⓐ AP???? HOSE ASSY .25" x ???"
ROD END - ALWAYS PRESSURIZED
- Ⓑ AP???? HOSE ASSY .25" x ???"
CAP END
- Ⓒ AP???? HOSE ASSY HWH02HP x ??"
ROD END - ALWAYS PRESSURIZED
HOSES MUST BE HIGH PRESSURE
HOSES OF EQUAL LENGTH AND DIAMETER
- Ⓓ AP???? HOSE ASSY HWH02HP x ??"
CAP END - HOSES MUST MAINTAIN
EQUAL LENGTH AND DIAMETER
- Ⓔ AP24632 HOSE ASSY HWH02HP x 48"
ROD END - ALWAYS PRESSURIZED -
MUST BE HIGH PRESSURE HOSES OF
EQUAL LENGTH AND DIAMETER

- Ⓕ AP24818 HOSE ASSY HWH02HP x 86"
CAP END - MUST MAINTAIN EQUAL
LENGTH AND DIAMETER
- Ⓖ AP???? HOSE ASSY .25" x ???"
ROD END
- Ⓗ AP???? HOSE ASSY .25/05 x ???"
CAP END
- Ⓘ AP???? HOSE ASSY .25" x ???"
ROD END
- Ⓢ AP???? HOSE ASSY .25/05 x ???"
CAP END

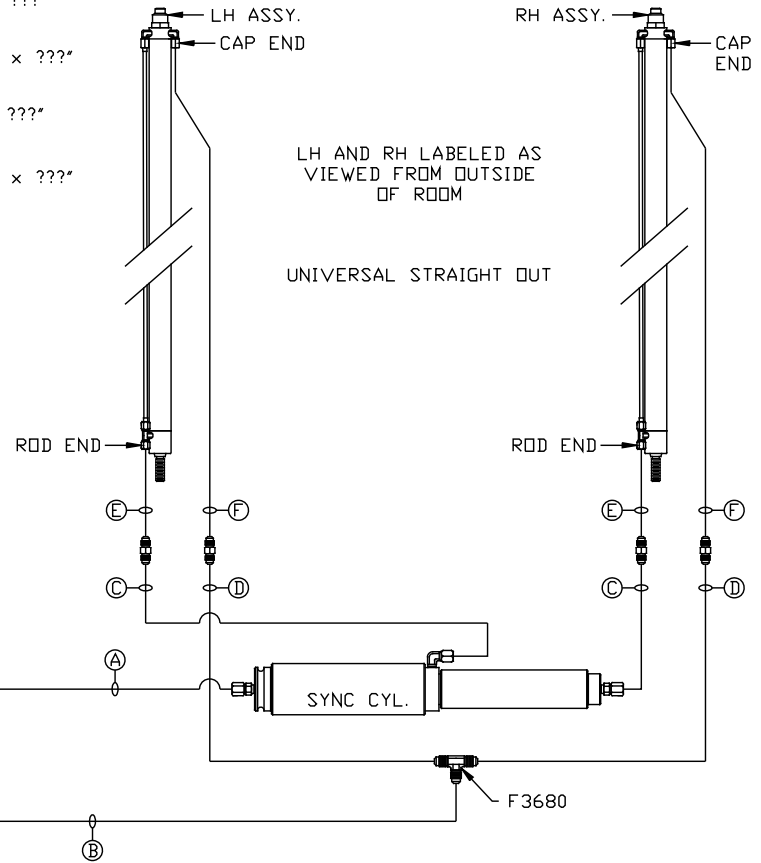
NOTE: HOSES Ⓒ AND Ⓓ ARE INCLUDED
WITH THE ROOM EXTENSION MECHANISM

FRONT VIEW-PUMP MANIFOLD



SIDE VIEW PUMP/MANIFOLD-AP43925

LOCATION AND ORIENTATION OF
PUMP/MANIFOLD ASSEMBLY WILL
DIFFER DEPENDING UPON O.E.M.



NOTE: INSTALLATION MUST CONFORM TO GOOD SHOP PRACTICES, SAE
STANDARDS, RVIA STANDARDS, AND OTHER APPLICABLE STANDARDS.

CONTROL PACKAGE: AP43917

		HWH		I-80 EXIT 267 SOUTH RT 1 MOSCOW, IOWA 52760	
		SCALE 1:6	DATE 05JAN09	DRAWN BY .	
		HYD CONN DIAGRAM			
NO.	DATE	REVISION		DRAWING NUMBER	
		THE INFORMATION DISCLOSED ON THIS DRAWING IS CONFIDENTIAL AND MUST NOT BE DISCLOSED OR USED IN ANY MANNER WHICH WILL BE DETRIMENTAL TO THE HWH CORPORATION		MP70100	
		WILDSIDE		DRAWING NUMBER	