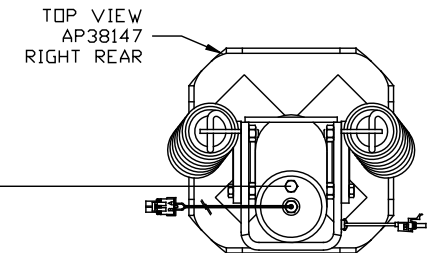
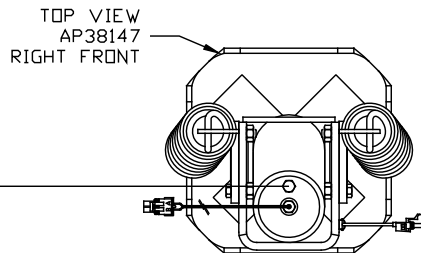


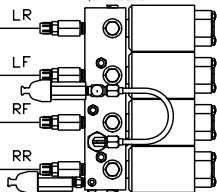
ORIENTATION  
← FRONT



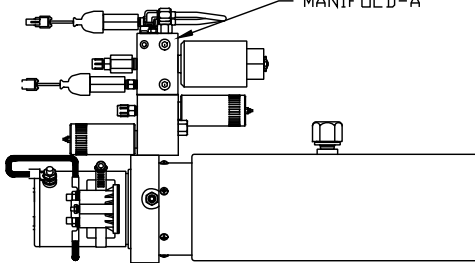
- Ⓐ AP1410 HOSE ASSY .25" x 139"
- Ⓑ AP5965 HOSE ASSY .25" x 180"
- Ⓒ AP4164 HOSE ASSY .25" x 384"
- Ⓓ AP6388 HOSE ASSY .25" x 462"

CROSS TIES REQUIRED FOR  
FRONT AND REAR JACKS

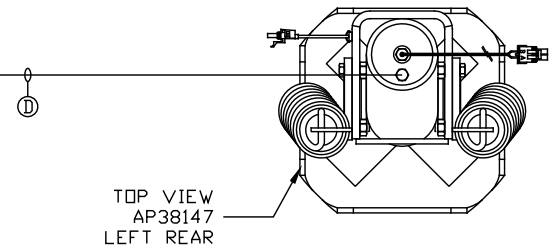
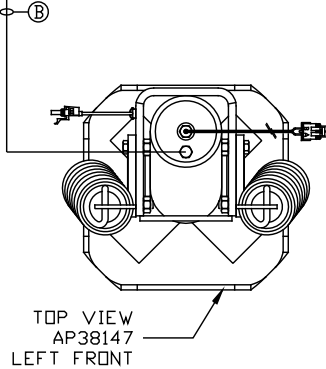
TOP VIEW  
MANIFOLD-A



MANIFOLD-A



LOCATION AND ORIENTATION OF  
PUMP/MANIFOLD ASSEMBLY WILL  
DIFFER DEPENDING UPON O.E.M.



NOTE: INSTALLATION MUST CONFORM TO GOOD SHOP PRACTICES, SAE STANDARDS, RVIA STANDARDS, AND OTHER APPLICABLE STANDARDS.

LEVELING SYSTEM: AP44041

NO.	DATE	REVISION

THE INFORMATION DISCLOSED ON THIS DRAWING IS CONFIDENTIAL AND MUST NOT BE DISCLOSED OR USED IN ANY MANNER WHICH WILL BE DETRIMENTAL TO THE HWH CORPORATION

HWH I-80 EXIT 267 SOUTH  
RT 1 MOSCOW, IOWA 52760

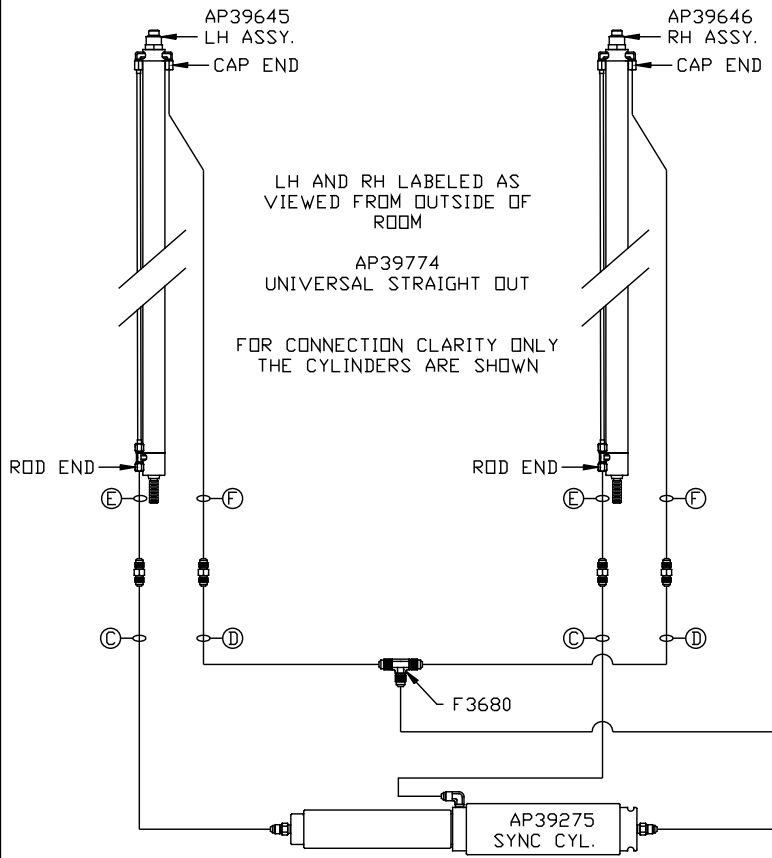
SCALE 1:6 DATE 14 JAN 09 DRAWN BY .

HYD CONN DIAGRAM

ARMOR METAL

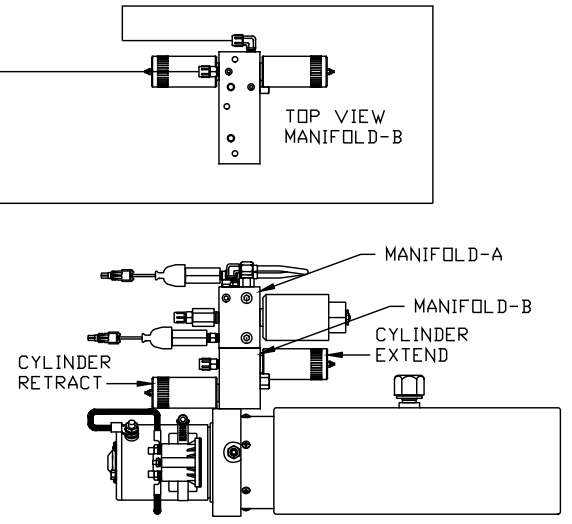
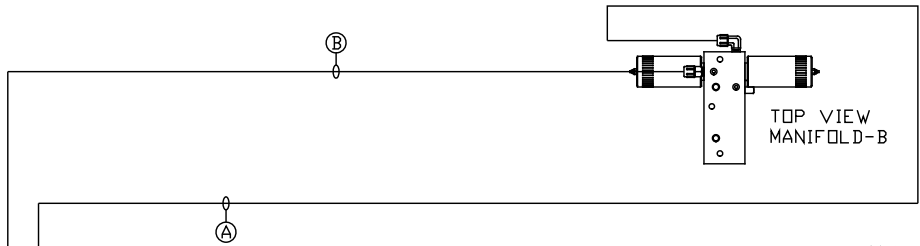
DRAWING NUMBER  
MP70103 A/B

ORIENTATION  
 ← FRONT



NOTE: HOSES (C) AND (F) ARE INCLUDED WITH THE ROOM EXTENSION MECHANISM

- (A) .25" ID HOSE  
ROD END - ALWAYS PRESSURIZED
- (B) .25" ID HOSE  
CAP END
- (C) .125" ID HP HOSE  
ROD END - ALWAYS PRESSURIZED - MUST BE HIGH PRESSURE HOSES OF EQUAL LENGTH AND DIAMETER
- (D) .25" ID HOSE  
CAP END - MUST MAINTAIN EQUAL LENGTH AND DIAMETER
- (E) AP24632 HOSE ASSY HWH02HP x 48"  
ROD END - ALWAYS PRESSURIZED - MUST BE HIGH PRESSURE HOSES OF EQUAL LENGTH AND DIAMETER
- (F) AP24818 HOSE ASSY HWH02HP x 86"  
CAP END - MUST MAINTAIN EQUAL LENGTH AND DIAMETER



SIDE VIEW PUMP/MANIFOLD-AP38506  
 LOCATION AND ORIENTATION OF PUMP/MANIFOLD ASSEMBLY WILL DIFFER DEPENDING UPON O.E.M.

NOTE: INSTALLATION MUST CONFORM TO GOOD SHOP PRACTICES, SAE STANDARDS, RVIA STANDARDS, AND OTHER APPLICABLE STANDARDS.