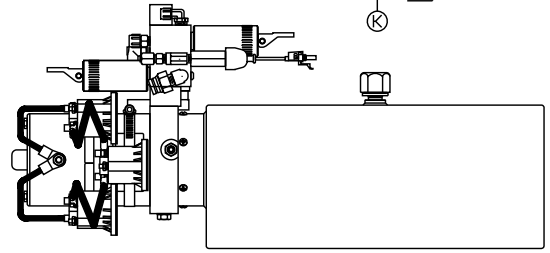
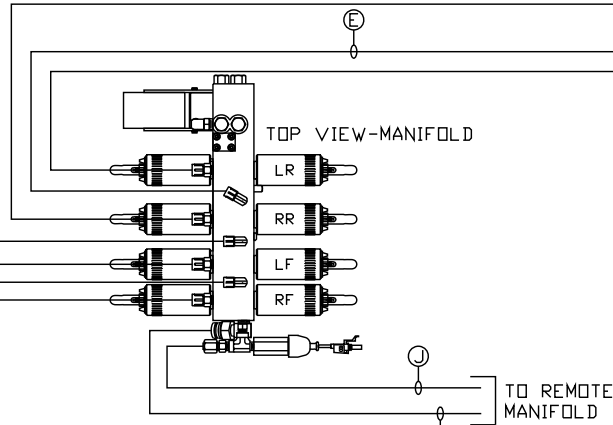
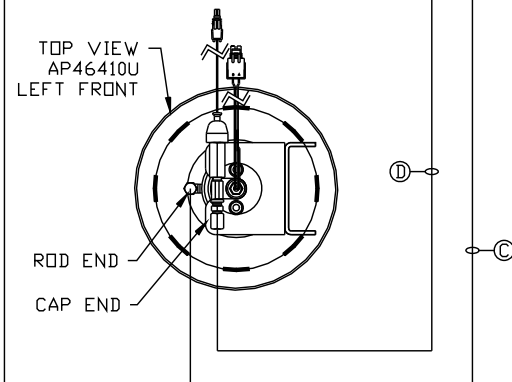
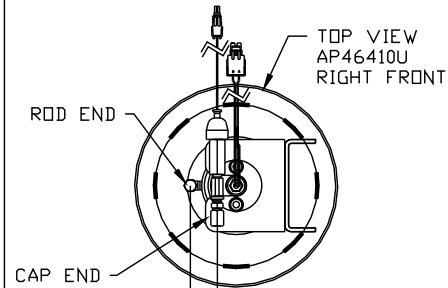
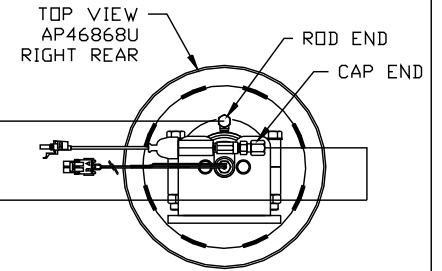


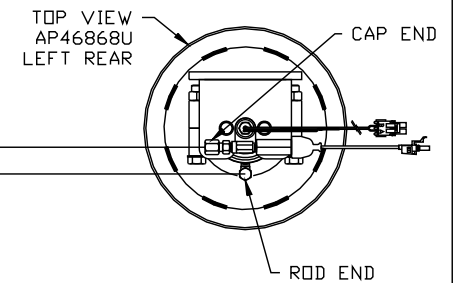
ORIENTATION  
← FRONT



SIDE VIEW PUMP/MANIFOLD-AP46849  
LOCATION AND ORIENTATION OF PUMP/MANIFOLD ASSEMBLY WILL DIFFER DEPENDING UPON O.E.M.



- Ⓐ HOSE ASSY .25" ID - RF ROD END
- Ⓑ HOSE ASSY .25/05 - RF CAP END
- Ⓒ HOSE ASSY .25" ID - LF ROD END
- Ⓓ HOSE ASSY .25/05 - LF CAP END
- Ⓔ HOSE ASSY .25" ID - REAR ROD END
- Ⓕ HOSE ASSY .25/05 - RR CAP END
- Ⓖ HOSE ASSY .25 ID - LR ROD END
- Ⓗ HOSE ASSY .25/05 - LR CAP END
- Ⓙ HOSE ASSY .25 ID - PRESSURE TO REMOTE MANIFOLD
- Ⓚ RETURN LINE .5 ID - RETURN FROM REMOTE MANIFOLD

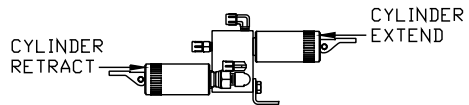
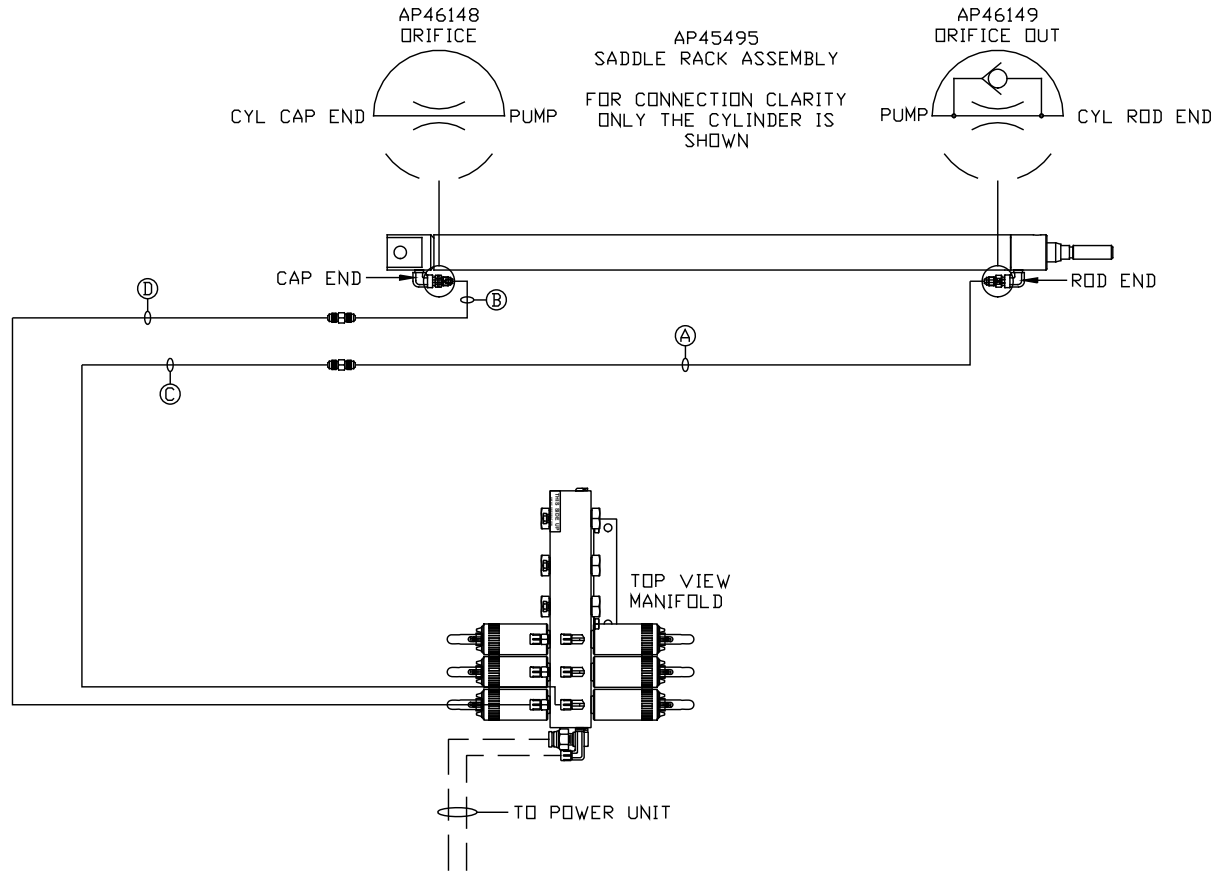


NOTE: INSTALLATION MUST CONFORM TO GOOD SHOP PRACTICES, SAE STANDARDS, RVIA STANDARDS, AND OTHER APPLICABLE STANDARDS.

LEVELING SYSTEM: AP46745

NO.	DATE	REVISION
THE INFORMATION DISCLOSED ON THIS DRAWING IS CONFIDENTIAL AND MUST NOT BE DISCLOSED OR USED IN ANY MANNER WHICH WILL BE DETRIMENTAL TO THE HWH CORPORATION		

<b>HWH</b>			I-80 EXIT 267 SOUTH RT 1 MOSCOW, IOWA 52760		
SCALE 1:6	DATE 21JUN10	DRAWN BY .			
<b>HYD CONN DIAGRAM</b>					
<b>4 STAR</b>				DRAWING NUMBER <b>MP70288 A/D</b>	



LOCATION AND ORIENTATION OF  
MANIFOLD ASSEMBLY WILL  
DIFFER DEPENDING UPON O.E.M.

NOTE: HOSES (A) AND (B) ARE INCLUDED  
WITH THE SADDLE RACK ASSEMBLY.

- (A) AP24637 HOSE ASSY HWH02HP x 66"  
ROD END - ALWAYS PRESSURIZED
- (B) AP24636 HOSE ASSY HWH02HP x 84"  
CAP END
- (C) HOSE ASSY .25" ID  
ROD END - ALWAYS PRESSURIZED
- (D) HOSE ASSY .25" ID  
CAP END

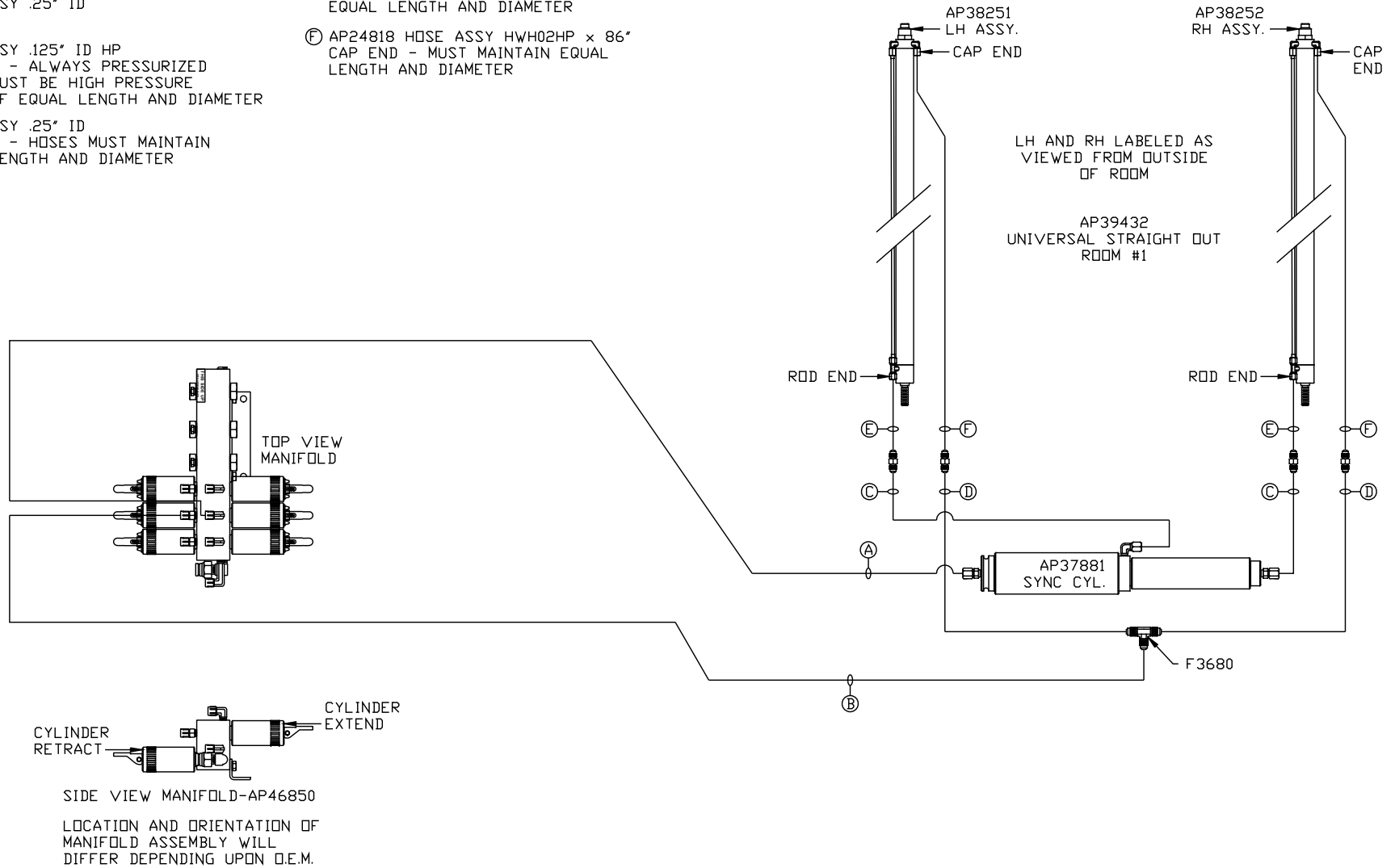
NOTE: INSTALLATION MUST CONFORM TO GOOD SHOP PRACTICES, SAE  
STANDARDS, RVIA STANDARDS, AND OTHER APPLICABLE STANDARDS.

MP70288 B/D  
21JUN10

- Ⓐ HOSE ASSY .25" ID  
ROD END - ALWAYS PRESSURIZED
- Ⓑ HOSE ASSY .25" ID  
CAP END
- Ⓒ HOSE ASSY .125" ID HP  
ROD END - ALWAYS PRESSURIZED  
HOSES MUST BE HIGH PRESSURE  
HOSES OF EQUAL LENGTH AND DIAMETER
- Ⓓ HOSE ASSY .25" ID  
CAP END - HOSES MUST MAINTAIN  
EQUAL LENGTH AND DIAMETER

- Ⓔ AP24632 HOSE ASSY HWH02HP x 48"  
ROD END - ALWAYS PRESSURIZED -  
MUST BE HIGH PRESSURE HOSES OF  
EQUAL LENGTH AND DIAMETER
- Ⓕ AP24818 HOSE ASSY HWH02HP x 86"  
CAP END - MUST MAINTAIN EQUAL  
LENGTH AND DIAMETER

NOTE: HOSES Ⓔ AND Ⓕ ARE INCLUDED  
WITH THE ROOM EXTENSION MECHANISM



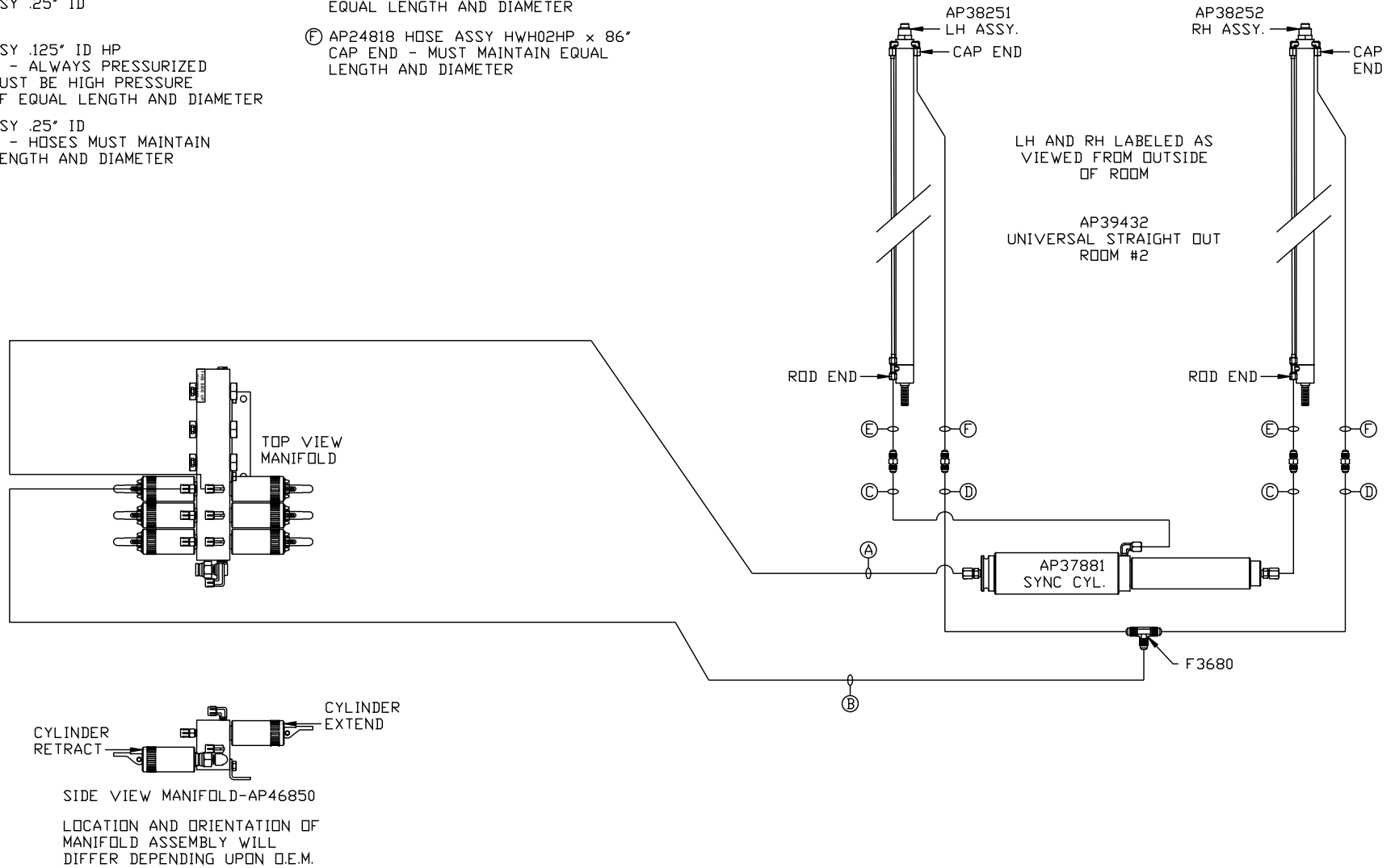
NOTE: INSTALLATION MUST CONFORM TO GOOD SHOP PRACTICES, SAE  
STANDARDS, RVIA STANDARDS, AND OTHER APPLICABLE STANDARDS.

MP70288 C/D  
21JUN10

- Ⓐ HOSE ASSY .25" ID  
ROD END - ALWAYS PRESSURIZED
- Ⓑ HOSE ASSY .25" ID  
CAP END
- Ⓒ HOSE ASSY .125" ID HP  
ROD END - ALWAYS PRESSURIZED  
HOSES MUST BE HIGH PRESSURE  
HOSES OF EQUAL LENGTH AND DIAMETER
- Ⓓ HOSE ASSY .25" ID  
CAP END - HOSES MUST MAINTAIN  
EQUAL LENGTH AND DIAMETER

- Ⓔ AP24632 HOSE ASSY HWH02HP x 48"  
ROD END - ALWAYS PRESSURIZED -  
MUST BE HIGH PRESSURE HOSES OF  
EQUAL LENGTH AND DIAMETER
- Ⓕ AP24818 HOSE ASSY HWH02HP x 86"  
CAP END - MUST MAINTAIN EQUAL  
LENGTH AND DIAMETER

NOTE: HOSES Ⓔ AND Ⓕ ARE INCLUDED  
WITH THE ROOM EXTENSION MECHANISM



NOTE: INSTALLATION MUST CONFORM TO GOOD SHOP PRACTICES, SAE  
STANDARDS, RVIA STANDARDS, AND OTHER APPLICABLE STANDARDS.

MP70288 D/D  
21JUN10