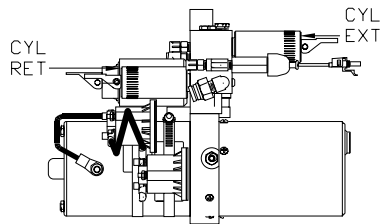
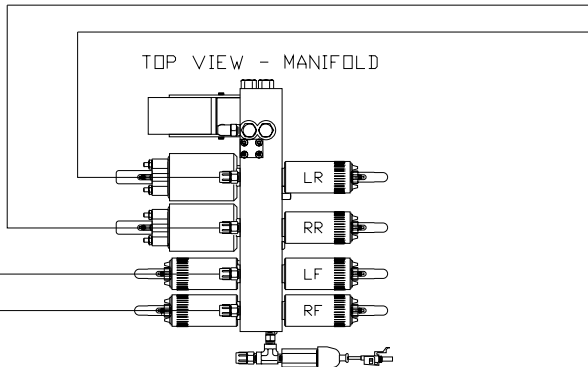
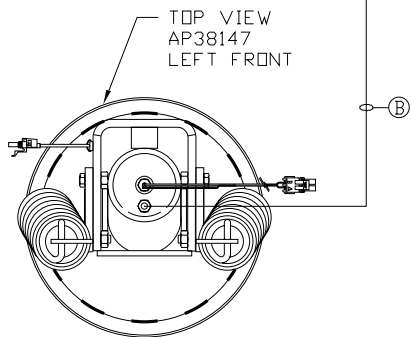
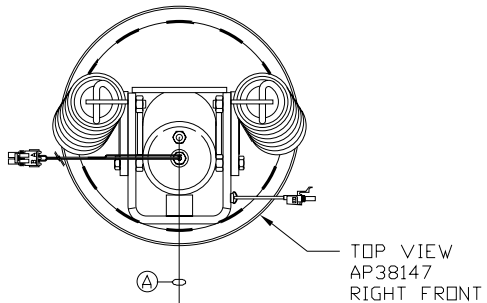
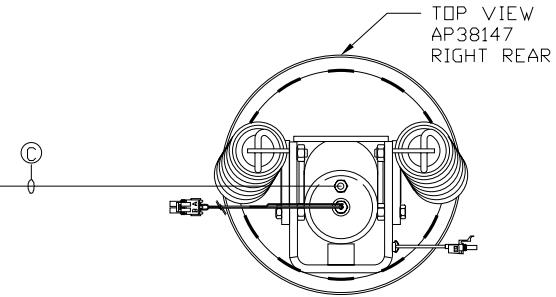


ORIENTATION

← FRONT

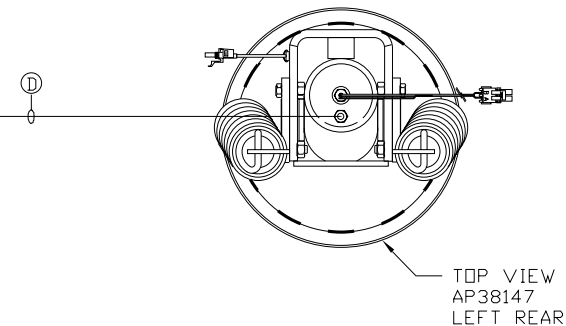


SIDE VIEW PUMP/MANIFOLD-AP46945
LOCATION AND ORIENTATION OF
PUMP/MANIFOLD ASSEMBLY WILL
DIFFER DEPENDING UPON O.E.M.



- Ⓐ AP4063 HOSE ASSY .25" X 288"
- Ⓑ AP4729 HOSE ASSY .25" X 280"
- Ⓒ AP4163 HOSE ASSY .25" X 360"
- Ⓓ AP4311 HOSE ASSY .25" X 354"

NOTE: CROSS TIES REQUIRED
FOR REAR JACKS



NOTE: INSTALLATION MUST CONFORM TO GOOD SHOP PRACTICES, SAE STANDARDS, RVIA STANDARDS, AND OTHER APPLICABLE STANDARDS.

LEVELING SYSTEM: AP46943

NO.	DATE	REVISION
THE INFORMATION DISCLOSED ON THIS DRAWING IS CONFIDENTIAL AND MUST NOT BE DISCLOSED OR USED IN ANY MANNER WHICH WILL BE DETRIMENTAL TO THE HWH CORPORATION		

HWH			I-80 EXIT 267 SOUTH RT 1 MOSCOW, IOWA 52760	
SCALE 1:6	DATE 30JUN10	DRAWN BY .		
HYD CONN DIAGRAM				
LIFELINE			DRAWING NUMBER MP70295	