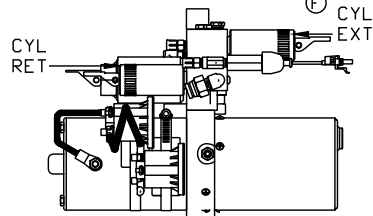
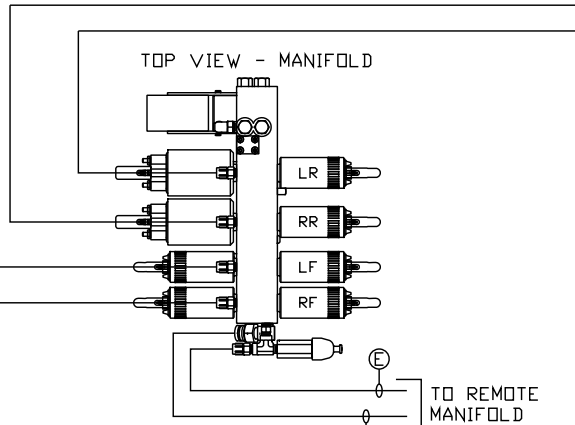
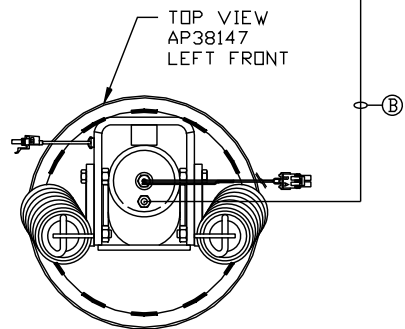
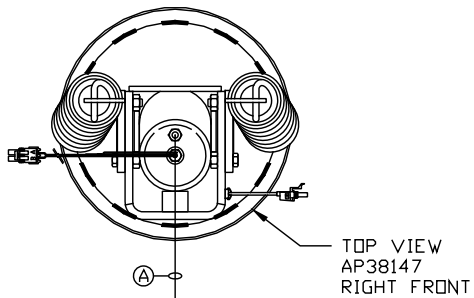
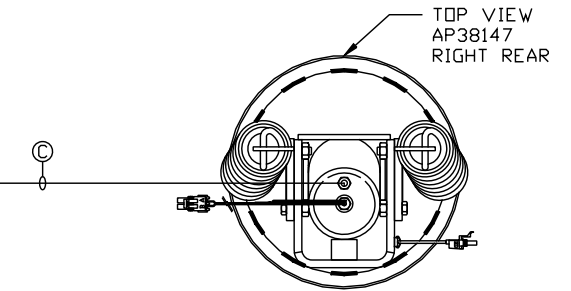


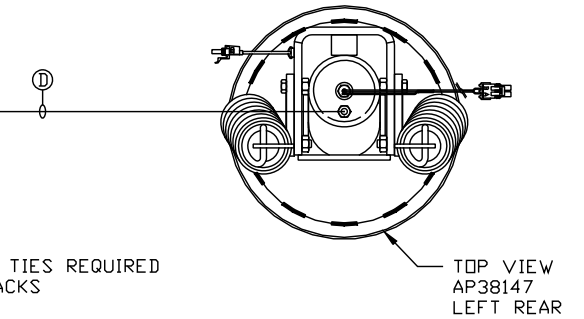
ORIENTATION
← FRONT



SIDE VIEW PUMP/MANIFOLD-AP48037 Δ
LOCATION AND ORIENTATION OF
PUMP/MANIFOLD ASSEMBLY WILL
DIFFER DEPENDING UPON O.E.M.



- Ⓐ AP4161 HOSE ASSY .25" X 120"
WAS AP4063 HOSE ASSY .25" X 288"
- Ⓑ AP1412 HOSE ASSY .25" X 84"
WAS AP4729 HOSE ASSY .25" X 280"
- Ⓒ AP4064 HOSE ASSY .25" X 300"
WAS AP4163 HOSE ASSY .25" X 360"
- Ⓓ AP5562 HOSE ASSY .25" X 276"
WAS AP4311 HOSE ASSY .25" X 354"
- Ⓔ AP4060 HOSE ASSY .25 X 24"
- Ⓕ 2' M401501 TUBING - RETURN LINE .5 ID



NOTE: CROSS TIES REQUIRED
FOR REAR JACKS

NOTE: INSTALLATION MUST CONFORM TO GOOD SHOP PRACTICES, SAE STANDARDS, RVIA STANDARDS, AND OTHER APPLICABLE STANDARDS.

LEVELING SYSTEM: AP47050

Δ	01AUG12	WAS AP46730, AP38944+45
NO.	DATE	REVISION

THE INFORMATION DISCLOSED ON THIS DRAWING IS CONFIDENTIAL AND MUST NOT BE DISCLOSED OR USED IN ANY MANNER WHICH WILL BE DETRIMENTAL TO THE HWH CORPORATION

HWH I-80 EXIT 267 SOUTH
RT 1 MOSCOW, IOWA 52760

SCALE 1:6 DATE 13JUL10 DRAWN BY .

HYD CONN DIAGRAM

LIFELINE

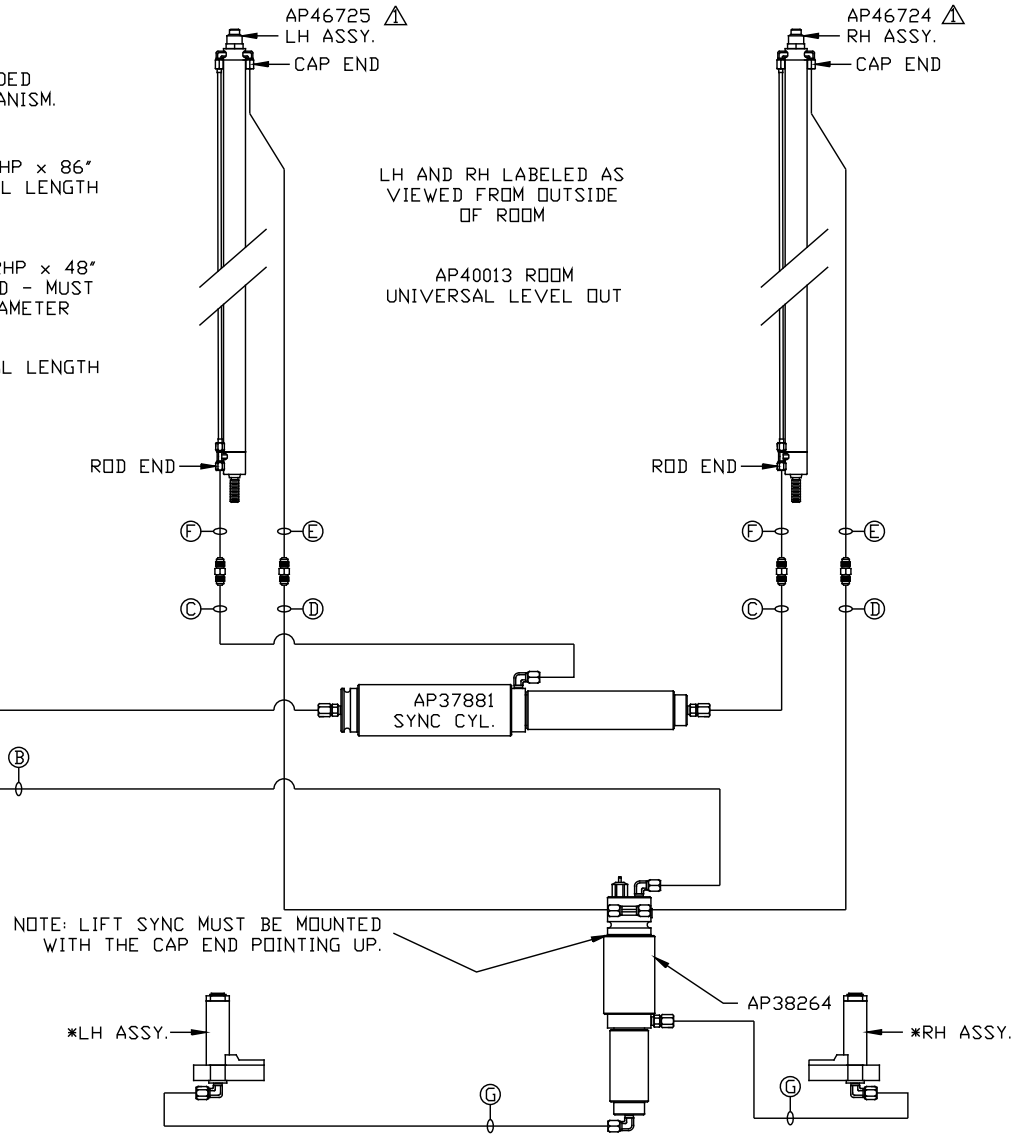
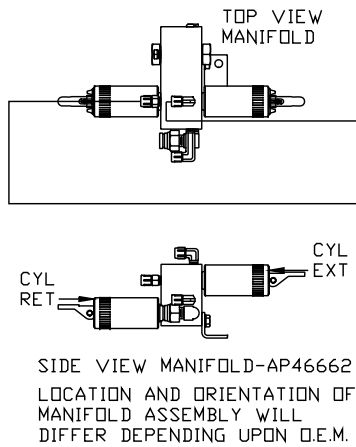
DRAWING NUMBER
MP70304 A/B

*: PART OF THE ROOM
EXTENSION MECHANISM.

- Ⓐ .25" ID HOSE
ROD END - ALWAYS PRESSURIZED
- Ⓑ .25" ID HOSE
CAP END
- Ⓒ .125" ID OR 03 HOSE
ROD END - ALWAYS PRESSURIZED - MUST
MAINTAIN EQUAL LENGTH AND DIAMETER
- Ⓓ .25" ID HOSE
CAP END - MUST MAINTAIN EQUAL LENGTH
AND DIAMETER

NOTE: ITEMS Ⓔ AND Ⓕ ARE INCLUDED
WITH THE ROOM EXTENSION MECHANISM.

- Ⓔ AP48270 HYD TUBE x 75.5"
WAS AP24818 HOSE ASSY HWH02HP x 86"
CAP END - MUST MAINTAIN EQUAL LENGTH
AND DIAMETER
- Ⓕ AP48355 HYD TUBE x 42"
WAS AP24632 HOSE ASSY HWH02HP x 48"
ROD END - ALWAYS PRESSURIZED - MUST
MAINTAIN EQUAL LENGTH AND DIAMETER
- Ⓖ .125" ID OR 03 HOSE
CAP END - MUST MAINTAIN EQUAL LENGTH
AND DIAMETER



NOTE: INSTALLATION MUST CONFORM TO GOOD SHOP PRACTICES, SAE
STANDARDS, RVIA STANDARDS, AND OTHER APPLICABLE STANDARDS.

MP70304 B/B
01AUG12