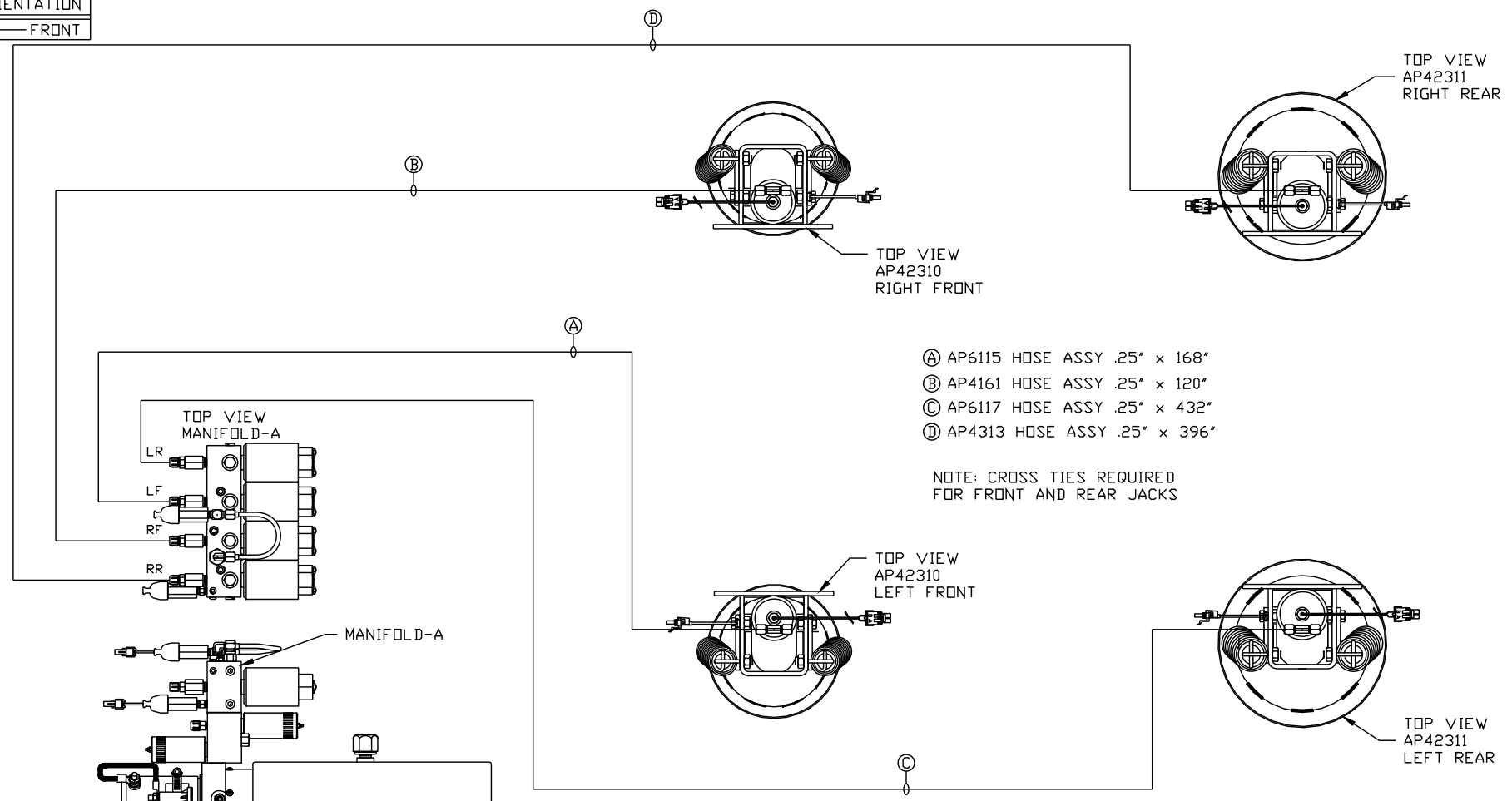
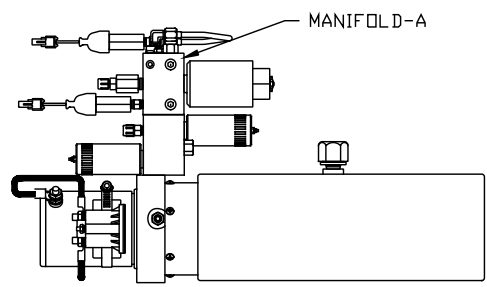


ORIENTATION
 ← FRONT



- Ⓐ AP6115 HOSE ASSY .25" x 168"
- Ⓑ AP4161 HOSE ASSY .25" x 120"
- Ⓒ AP6117 HOSE ASSY .25" x 432"
- Ⓓ AP4313 HOSE ASSY .25" x 396"

NOTE: CROSS TIES REQUIRED FOR FRONT AND REAR JACKS

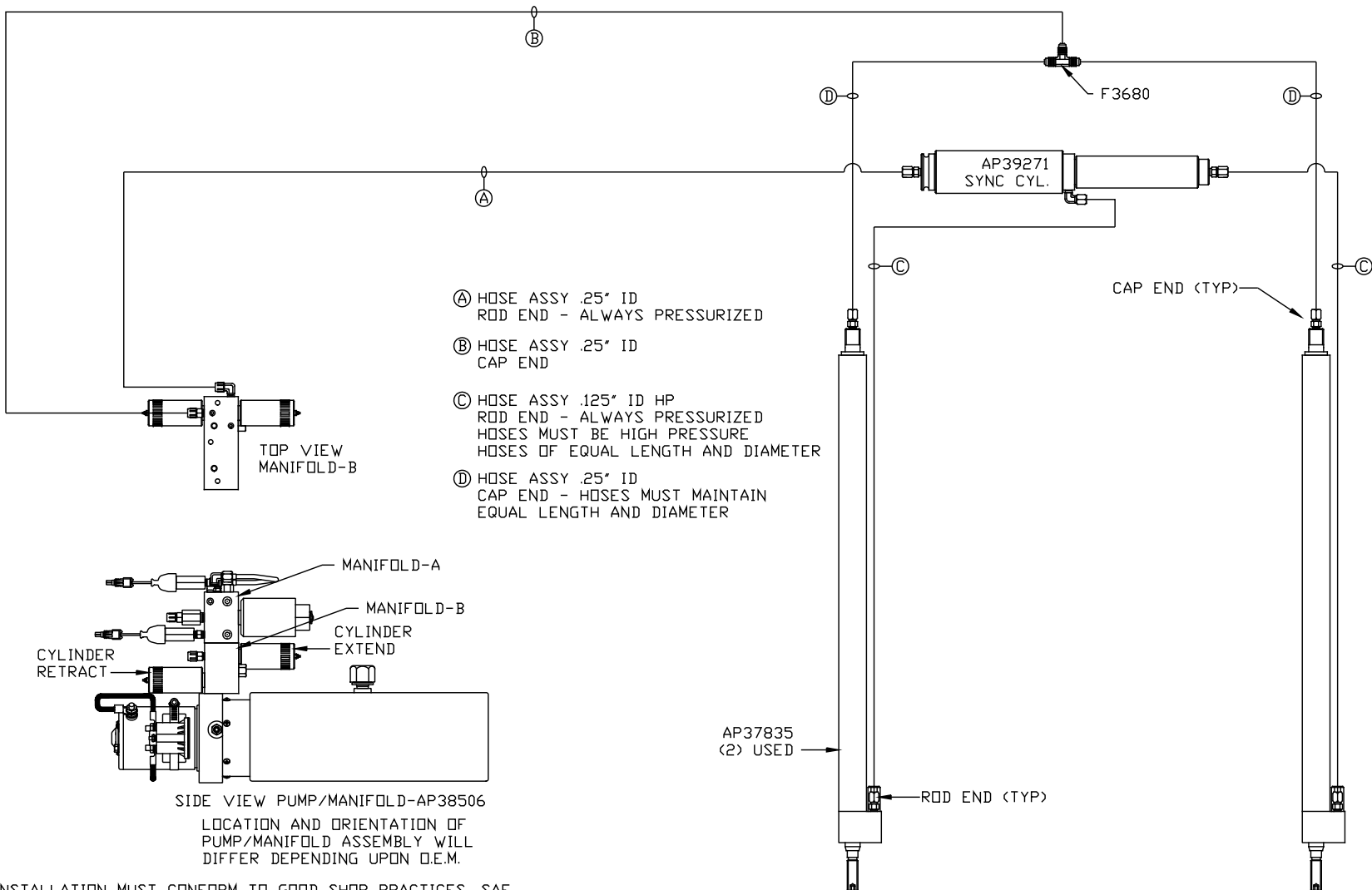


SIDE VIEW PUMP/MANIFOLD-AP38506
 LOCATION AND ORIENTATION OF PUMP/MANIFOLD ASSEMBLY WILL DIFFER DEPENDING UPON O.E.M.

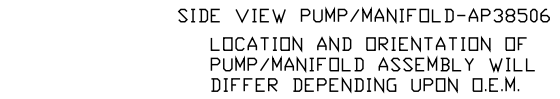
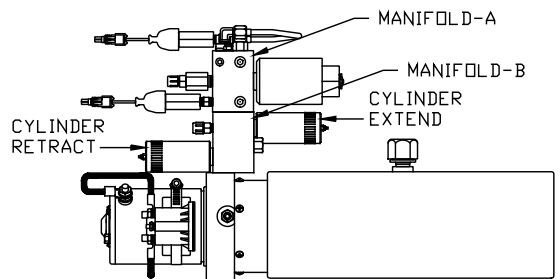
NOTE: INSTALLATION MUST CONFORM TO GOOD SHOP PRACTICES, SAE STANDARDS, RVIA STANDARDS, AND OTHER APPLICABLE STANDARDS.

LEVELING SYSTEM: AP47488

| | | | | | |
|--|------|------------|--------------|--|--|
| | | HWH | | I-80 EXIT 267 SOUTH RT 1 MOSCOW, IOWA 52760 | |
| | | SCALE 1:6 | DATE 04NOV10 | DRAWN BY . | |
| HYD CONN DIAGRAM | | | | | |
| NO. | DATE | REVISION | | | |
| THE INFORMATION DISCLOSED ON THIS DRAWING IS CONFIDENTIAL AND MUST NOT BE DISCLOSED OR USED IN ANY MANNER WHICH WILL BE DETRIMENTAL TO THE HWH CORPORATION | | | | | |
| REXHALL | | | | DRAWING NUMBER MP70329 A/B | |



- Ⓐ HOSE ASSY .25" ID
ROD END - ALWAYS PRESSURIZED
- Ⓑ HOSE ASSY .25" ID
CAP END
- Ⓒ HOSE ASSY .125" ID HP
ROD END - ALWAYS PRESSURIZED
HOSES MUST BE HIGH PRESSURE
HOSES OF EQUAL LENGTH AND DIAMETER
- Ⓓ HOSE ASSY .25" ID
CAP END - HOSES MUST MAINTAIN
EQUAL LENGTH AND DIAMETER



NOTE: INSTALLATION MUST CONFORM TO GOOD SHOP PRACTICES, SAE STANDARDS, RVIA STANDARDS, AND OTHER APPLICABLE STANDARDS.