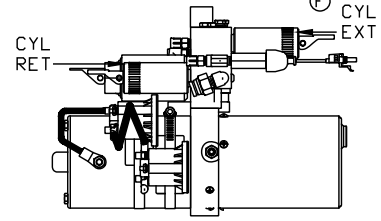
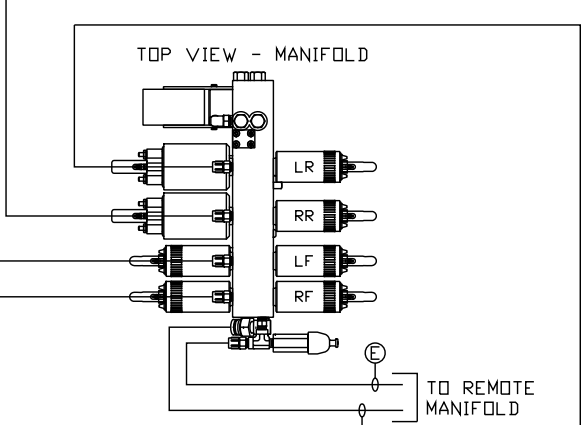
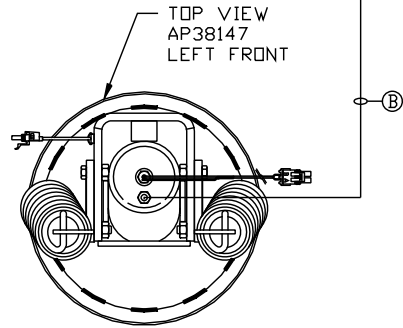
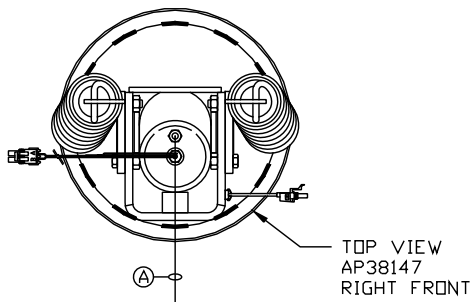
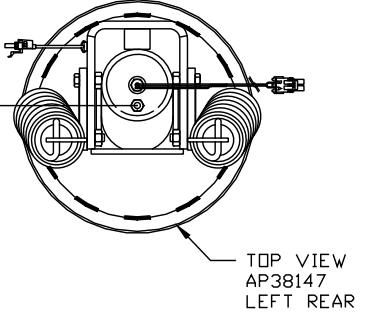
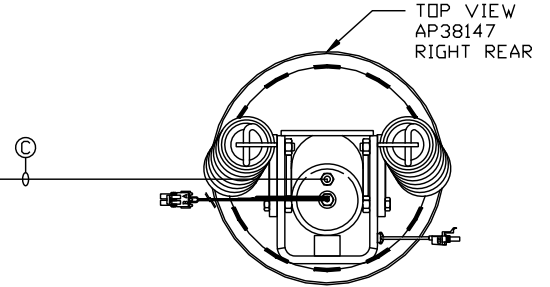


ORIENTATION
← FRONT



LOCATION AND ORIENTATION OF
PUMP/MANIFOLD ASSEMBLY WILL
DIFFER DEPENDING UPON O.E.M.



- Ⓐ AP4063 HOSE ASSY .25" X 288"
- Ⓑ AP4729 HOSE ASSY .25" X 280"
- Ⓒ AP4163 HOSE ASSY .25" X 360"
- Ⓓ AP4311 HOSE ASSY .25" X 354"
- Ⓔ AP4060 HOSE ASSY .25 X 24"
- Ⓕ 2' M401501 TUBING - RETURN LINE .5 ID

NOTE: CROSS TIES REQUIRED
FOR REAR JACKS

NOTE: INSTALLATION MUST CONFORM TO GOOD SHOP PRACTICES, SAE STANDARDS, RVIA STANDARDS, AND OTHER APPLICABLE STANDARDS.

LEVELING SYSTEM: AP47054

⚠	02AUG12	WAS AP46730,AP38944+45
NO.	DATE	REVISION
THE INFORMATION DISCLOSED ON THIS DRAWING IS CONFIDENTIAL AND MUST NOT BE DISCLOSED OR USED IN ANY MANNER WHICH WILL BE DETRIMENTAL TO THE HWH CORPORATION		

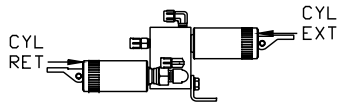
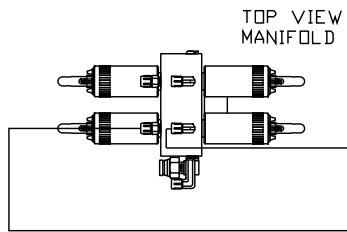
HWH			I-80 EXIT 267 SOUTH RT 1 MOSCOW, IOWA 52760	
SCALE 1:6	DATE 25JAN11	DRAWN BY .		
HYD CONN DIAGRAM				
LIFELINE			DRAWING NUMBER MP70361 A/C	

*: PART OF THE ROOM
EXTENSION MECHANISM.

- Ⓐ .25" ID HOSE
ROD END - ALWAYS PRESSURIZED
- Ⓑ .25" ID HOSE
CAP END
- Ⓒ .125" ID OR 03 HOSE
ROD END - ALWAYS PRESSURIZED - MUST
MAINTAIN EQUAL LENGTH AND DIAMETER
- Ⓓ .25" ID HOSE
CAP END - MUST MAINTAIN EQUAL LENGTH
AND DIAMETER

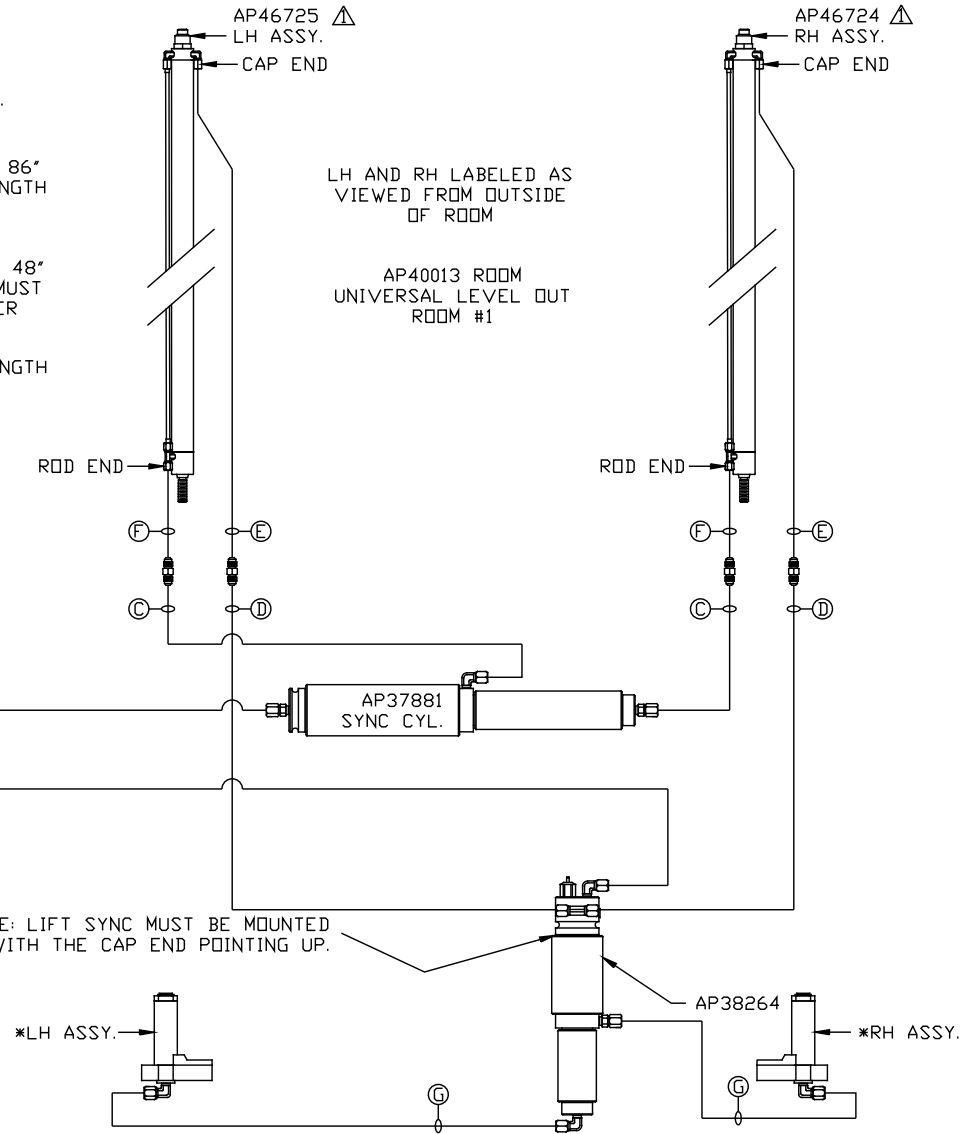
NOTE: ITEMS Ⓔ AND Ⓕ ARE INCLUDED
WITH THE ROOM EXTENSION MECHANISM.

- Ⓔ AP48270 HYD TUBE x 75.5"
WAS AP24818 HOSE ASSY HWH02HP x 86"
CAP END - MUST MAINTAIN EQUAL LENGTH
AND DIAMETER
- Ⓕ AP48355 HYD TUBE x 42"
WAS AP24632 HOSE ASSY HWH02HP x 48"
ROD END - ALWAYS PRESSURIZED - MUST
MAINTAIN EQUAL LENGTH AND DIAMETER
- Ⓖ .125" ID OR 03 HOSE
CAP END - MUST MAINTAIN EQUAL LENGTH
AND DIAMETER



SIDE VIEW MANIFOLD-AP47233
LOCATION AND ORIENTATION OF
MANIFOLD ASSEMBLY WILL
DIFFER DEPENDING UPON O.E.M.

NOTE: LIFT SYNC MUST BE MOUNTED
WITH THE CAP END POINTING UP.



NOTE: INSTALLATION MUST CONFORM TO GOOD SHOP PRACTICES, SAE
STANDARDS, RVIA STANDARDS, AND OTHER APPLICABLE STANDARDS.

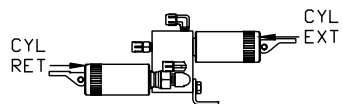
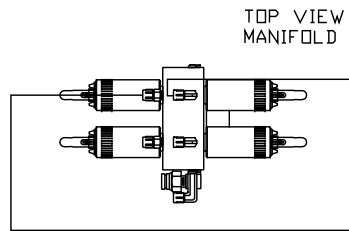
MP70361 B/C
02AUG12

*: PART OF THE ROOM EXTENSION MECHANISM.

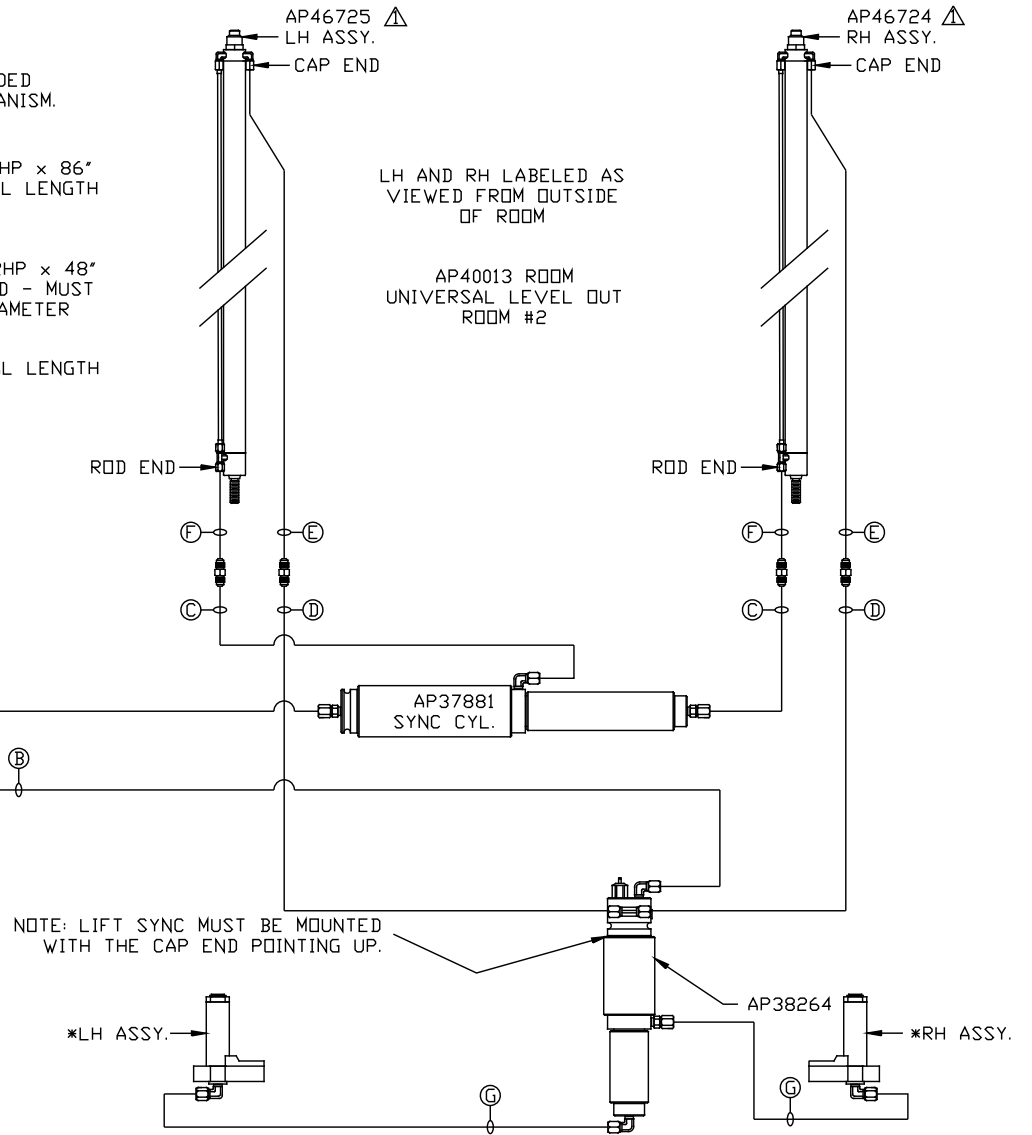
- Ⓐ .25" ID HOSE
ROD END - ALWAYS PRESSURIZED
- Ⓑ .25" ID HOSE
CAP END
- Ⓒ .125" ID OR 03 HOSE
ROD END - ALWAYS PRESSURIZED - MUST MAINTAIN EQUAL LENGTH AND DIAMETER
- Ⓓ .25" ID HOSE
CAP END - MUST MAINTAIN EQUAL LENGTH AND DIAMETER

NOTE: ITEMS Ⓔ AND Ⓕ ARE INCLUDED WITH THE ROOM EXTENSION MECHANISM.

- Ⓔ AP48270 HYD TUBE x 75.5"
WAS AP24818 HOSE ASSY HWH02HP x 86"
CAP END - MUST MAINTAIN EQUAL LENGTH AND DIAMETER
- Ⓕ AP48355 HYD TUBE x 42"
WAS AP24632 HOSE ASSY HWH02HP x 48"
ROD END - ALWAYS PRESSURIZED - MUST MAINTAIN EQUAL LENGTH AND DIAMETER
- Ⓖ .125" ID OR 03 HOSE
CAP END - MUST MAINTAIN EQUAL LENGTH AND DIAMETER



SIDE VIEW MANIFOLD-AP47233
LOCATION AND ORIENTATION OF
MANIFOLD ASSEMBLY WILL
DIFFER DEPENDING UPON O.E.M.



NOTE: INSTALLATION MUST CONFORM TO GOOD SHOP PRACTICES, SAE STANDARDS, RVIA STANDARDS, AND OTHER APPLICABLE STANDARDS.

MP70361 C/C
02AUG12