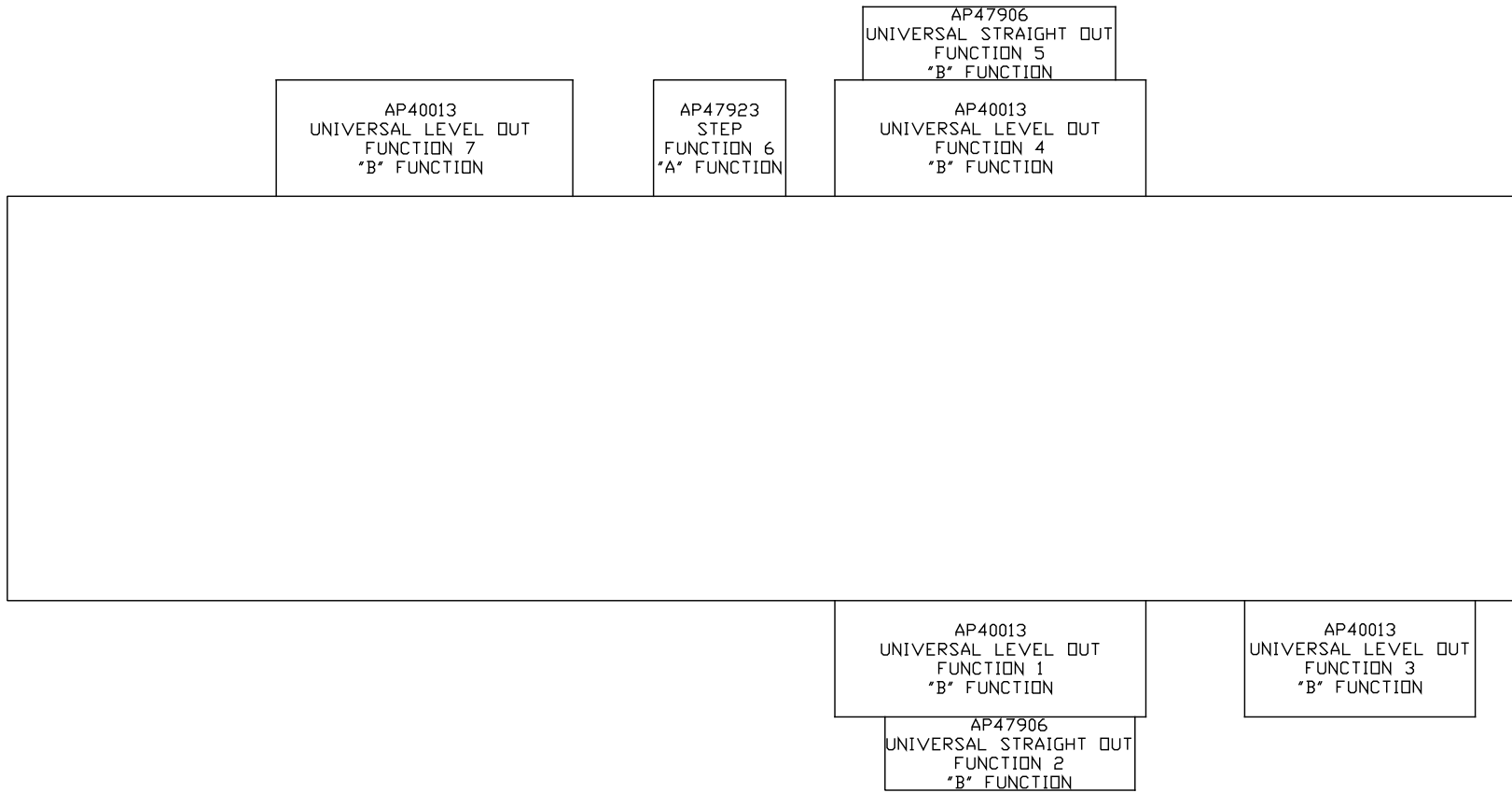


ORIENTATION  
 ← FRONT



NOTE: INSTALLATION MUST CONFORM TO GOOD SHOP PRACTICES, SAE STANDARDS, RVIA STANDARDS, AND OTHER APPLICABLE STANDARDS.

LEVELING SYSTEM: AP47921

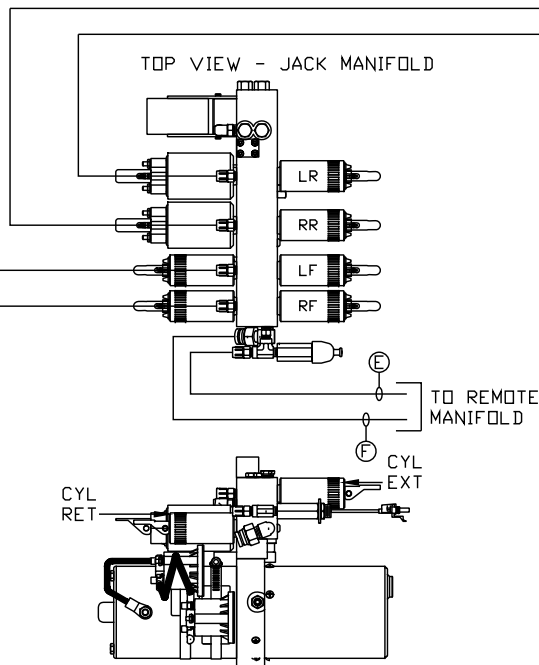
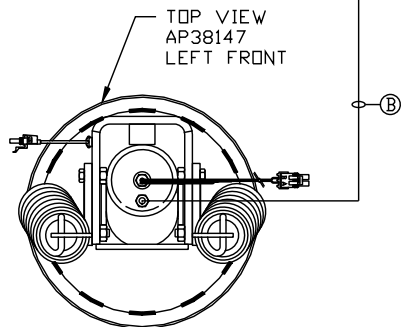
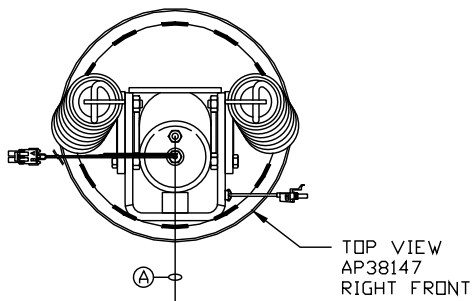
NO.	DATE	REVISION
3	18FEB16	UPDATED JACK HOSES
2	06MAY15	WAS AP38944, AP38945
1	29MAR11	REVISED AP46924 SYNC

THE INFORMATION DISCLOSED ON THIS DRAWING IS CONFIDENTIAL AND MUST NOT BE DISCLOSED OR USED IN ANY MANNER WHICH WILL BE DETRIMENTAL TO THE HWH CORPORATION

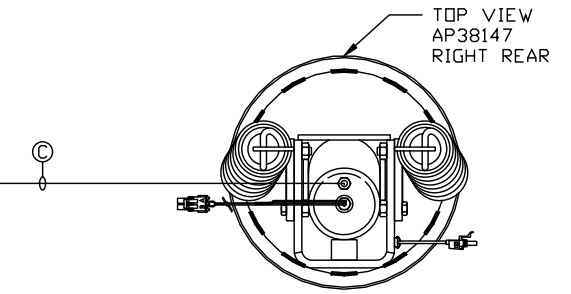
<h1 style="margin: 0;">HWH</h1>		I-80 EXIT 267 SOUTH RT 1 MOSCOW, IOWA 52760	
		SCALE 1:6	DATE 22MAR11
HYD CONN DIAGRAM			
LIFELINE			DRAWING NUMBER MP70391 A/1

ORIENTATION

← FRONT

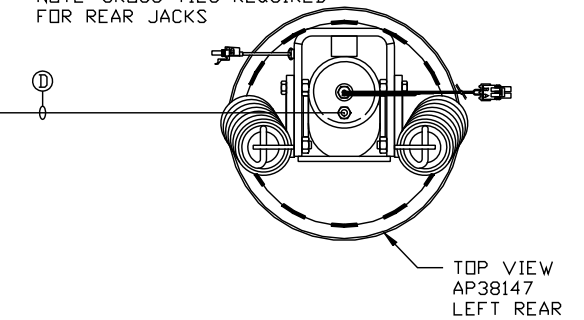


SIDE VIEW PUMP/MANIFOLD-AP48037  
LOCATION AND ORIENTATION OF  
PUMP/MANIFOLD ASSEMBLY WILL  
DIFFER DEPENDING UPON O.E.M.



- Ⓐ AP4161 HOSE ASSY 04 x 120"  
WAS AP4063 HOSE ASSY .25" X 288"
- Ⓑ AP1412 HOSE ASSY 04 x 84"  
WAS AP4729 HOSE ASSY .25" X 280"
- Ⓒ AP4064 HOSE ASSY 04 x 300"  
WAS AP4163 HOSE ASSY .25" X 360"
- Ⓓ AP5562 HOSE ASSY 04 x 276"  
WAS AP4311 HOSE ASSY .25" X 354"
- Ⓔ HOSE ASSY .25 ID
- Ⓕ RETURN LINE .5 ID

NOTE: CROSS TIES REQUIRED  
FOR REAR JACKS



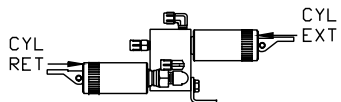
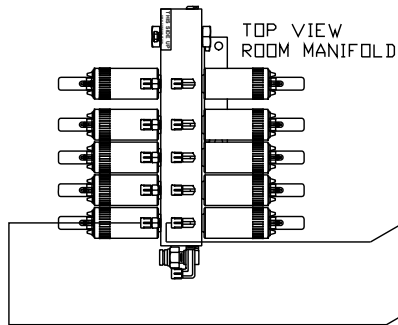
NOTE: INSTALLATION MUST CONFORM TO GOOD SHOP PRACTICES, SAE STANDARDS, RVIA STANDARDS, AND OTHER APPLICABLE STANDARDS.

MP70391 B/1  
18FEB16

\*: PART OF THE ROOM  
EXTENSION MECHANISM.

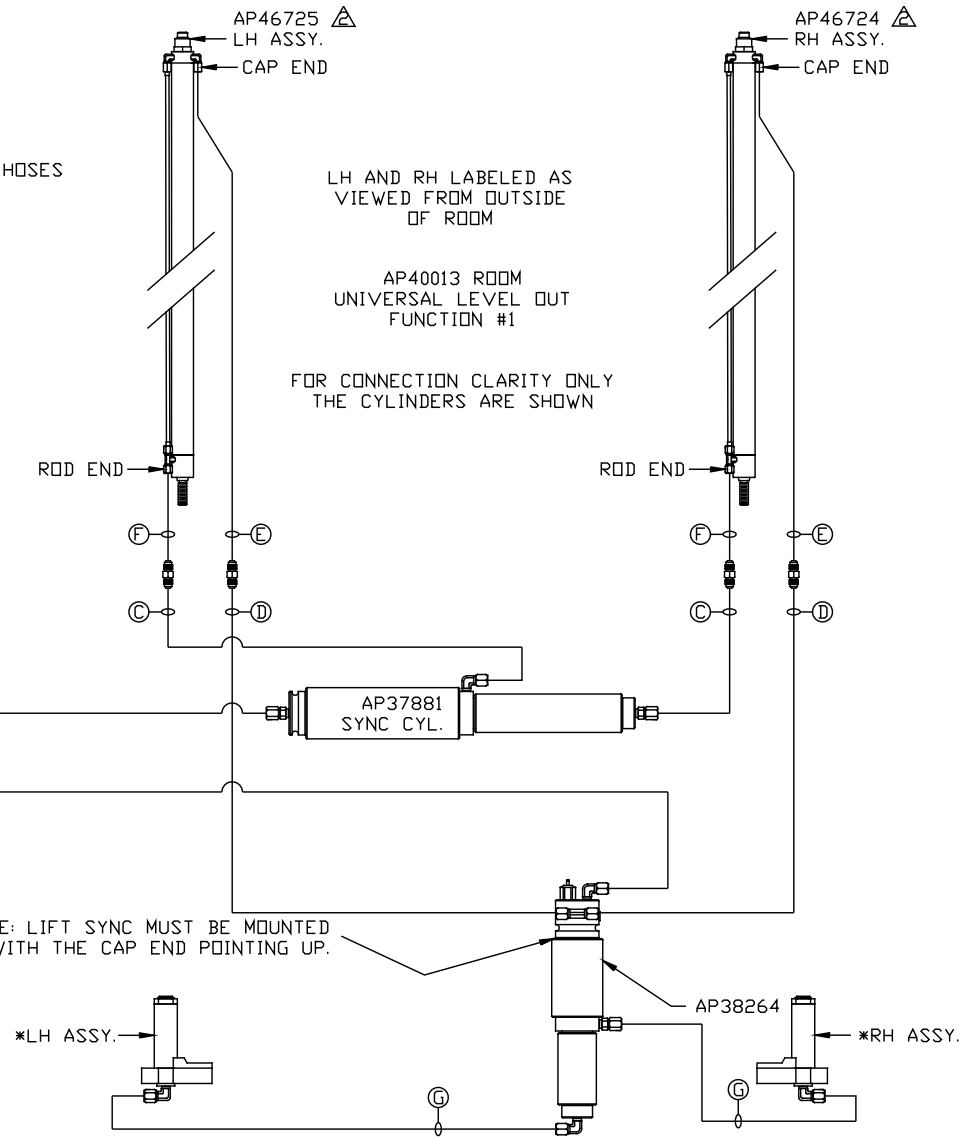
- Ⓐ .25" ID HOSE  
ROD END - ALWAYS PRESSURIZED
- Ⓑ .25" ID HOSE  
CAP END
- Ⓒ .125" ID HOSE  
ROD END - ALWAYS PRESSURIZED - MUST  
BE HIGH PRESSURE HOSES OF EQUAL  
LENGTH AND DIAMETER
- Ⓓ .125" ID HOSE  
CAP END - MUST MAINTAIN EQUAL LENGTH  
AND DIAMETER

- Ⓒ .125" ID HOSE  
CAP END - MUST BE HIGH PRESSURE HOSES  
OF EQUAL LENGTH AND DIAMETER



SIDE VIEW MANIFOLD-AP48097  
MANIFOLD IS LOCATED NEXT  
TO PUMP MANIFOLD ASSY.

NOTE: LIFT SYNC MUST BE MOUNTED  
WITH THE CAP END POINTING UP.



NOTE: INSTALLATION MUST CONFORM TO GOOD SHOP PRACTICES, SAE  
STANDARDS, RVIA STANDARDS, AND OTHER APPLICABLE STANDARDS.

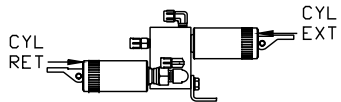
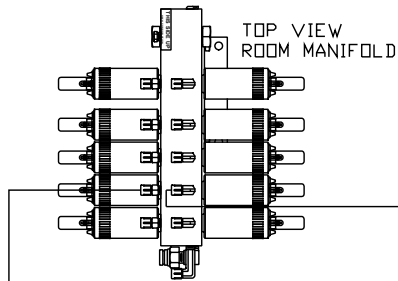
MP70391 C/I  
06MAY15

\*: PART OF THE ROOM  
EXTENSION MECHANISM.

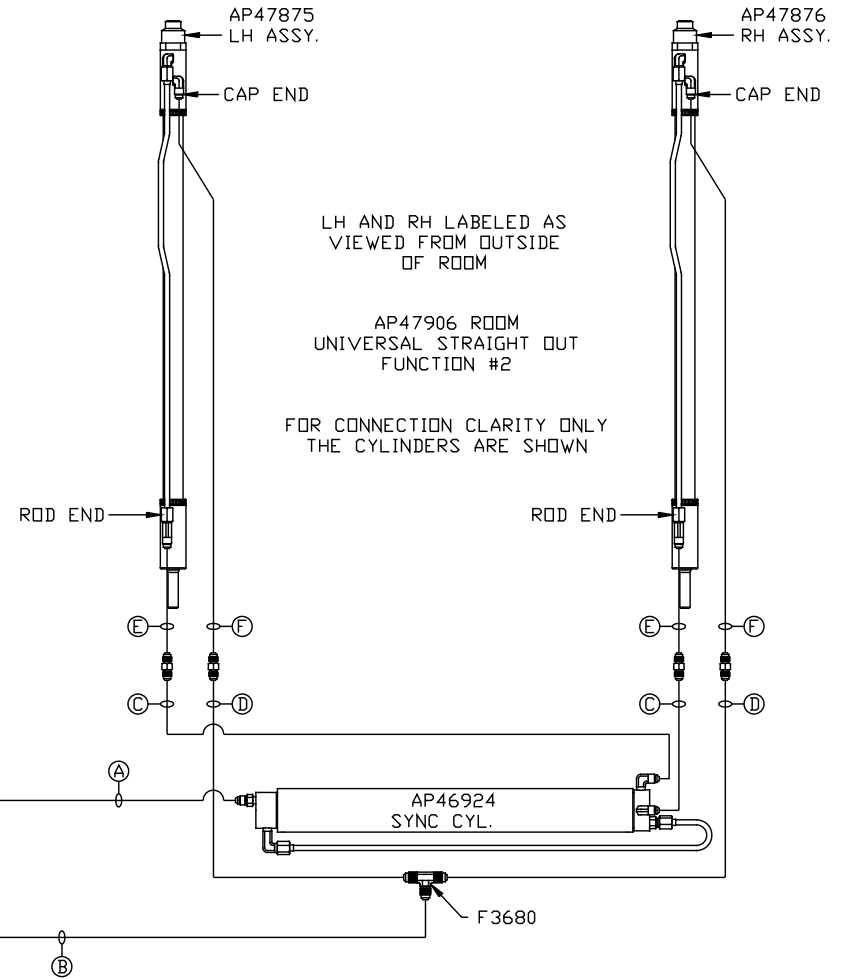
- Ⓐ .25" ID HOSE  
ROD END - ALWAYS PRESSURIZED
- Ⓑ .25" ID HOSE  
CAP END
- Ⓒ .125" ID HOSE  
ROD END - ALWAYS PRESSURIZED - MUST  
BE HIGH PRESSURE HOSES OF EQUAL  
LENGTH AND DIAMETER
- Ⓓ .125" ID HOSE  
CAP END - MUST MAINTAIN EQUAL LENGTH  
AND DIAMETER

NOTE: HOSES Ⓔ AND Ⓕ ARE INCLUDED  
WITH THE ROOM EXTENSION MECHANISM.

- Ⓔ AP24637 HOSE ASSY HWH02HP x 66"  
CAP END - MUST MAINTAIN EQUAL LENGTH  
AND DIAMETER
- Ⓕ AP24631 HOSE ASSY HWH02HP x 42"  
ROD END - ALWAYS PRESSURIZED - MUST  
BE HIGH PRESSURE HOSES OF EQUAL  
LENGTH AND DIAMETER



SIDE VIEW MANIFOLD-AP48097  
MANIFOLD IS LOCATED NEXT  
TO PUMP MANIFOLD ASSY.



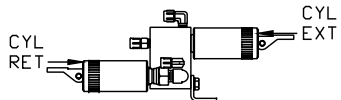
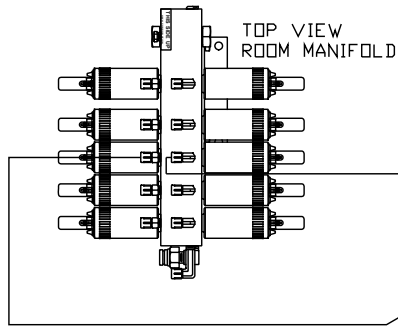
NOTE: INSTALLATION MUST CONFORM TO GOOD SHOP PRACTICES, SAE  
STANDARDS, RVIA STANDARDS, AND OTHER APPLICABLE STANDARDS.

MP70391 D/I  
29MAR11

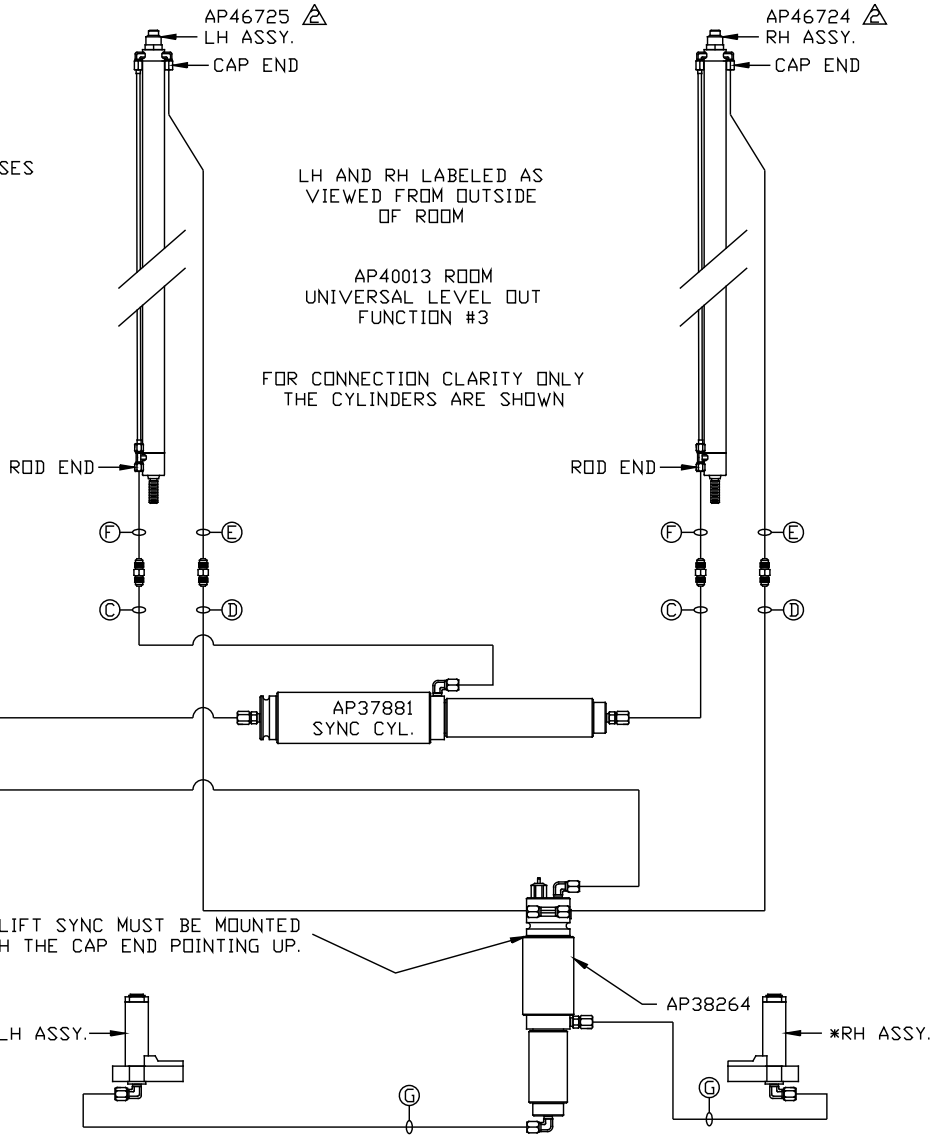
\*: PART OF THE ROOM  
EXTENSION MECHANISM.

- Ⓐ .25" ID HOSE  
ROD END - ALWAYS PRESSURIZED
- Ⓑ .25" ID HOSE  
CAP END
- Ⓒ .125" ID HOSE  
ROD END - ALWAYS PRESSURIZED - MUST  
BE HIGH PRESSURE HOSES OF EQUAL  
LENGTH AND DIAMETER
- Ⓓ .125" ID HOSE  
CAP END - MUST MAINTAIN EQUAL LENGTH  
AND DIAMETER

- Ⓒ .125" ID HOSE  
CAP END - MUST BE HIGH PRESSURE HOSES  
OF EQUAL LENGTH AND DIAMETER



SIDE VIEW MANIFOLD-AP48097  
MANIFOLD IS LOCATED NEXT  
TO PUMP MANIFOLD ASSY.



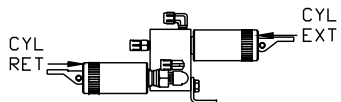
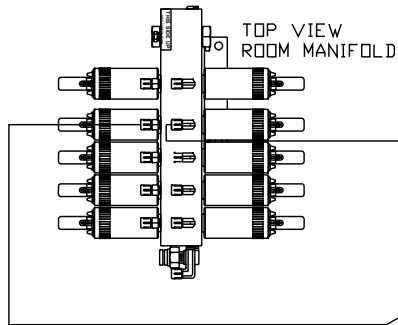
NOTE: INSTALLATION MUST CONFORM TO GOOD SHOP PRACTICES, SAE  
STANDARDS, RVIA STANDARDS, AND OTHER APPLICABLE STANDARDS.

MP70391 E/I  
06MAY15

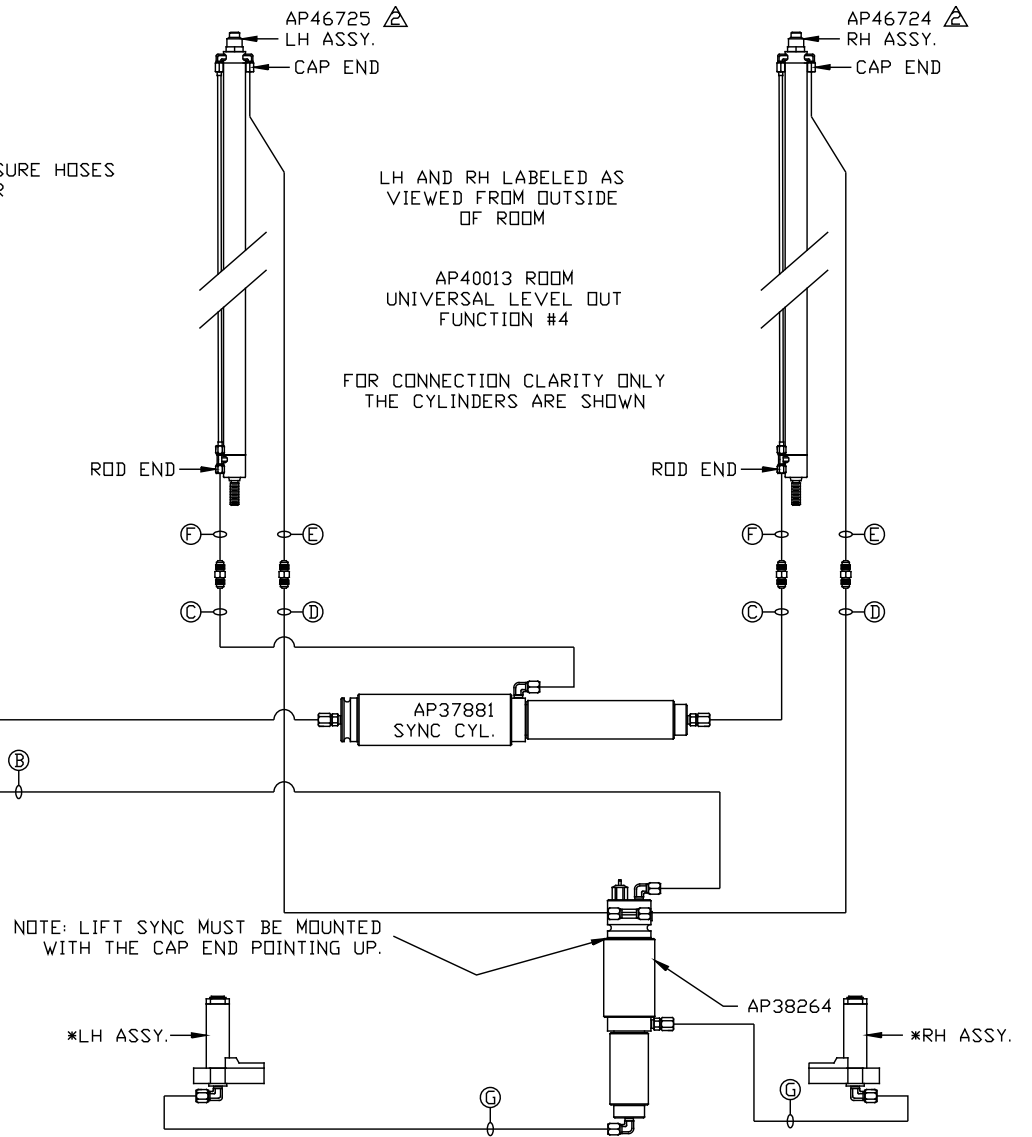
\*: PART OF THE ROOM  
EXTENSION MECHANISM.

- Ⓐ .25" ID HOSE  
ROD END - ALWAYS PRESSURIZED
- Ⓑ .25" ID HOSE  
CAP END
- Ⓒ .125" ID HOSE  
ROD END - ALWAYS PRESSURIZED - MUST  
BE HIGH PRESSURE HOSES OF EQUAL  
LENGTH AND DIAMETER
- Ⓓ .125" ID HOSE  
CAP END - MUST MAINTAIN EQUAL LENGTH  
AND DIAMETER

Ⓒ .125" ID HOSE  
CAP END - MUST BE HIGH PRESSURE HOSES  
OF EQUAL LENGTH AND DIAMETER



SIDE VIEW MANIFOLD-AP48097  
MANIFOLD IS LOCATED NEXT  
TO PUMP MANIFOLD ASSY.



NOTE: INSTALLATION MUST CONFORM TO GOOD SHOP PRACTICES, SAE  
STANDARDS, RVIA STANDARDS, AND OTHER APPLICABLE STANDARDS.

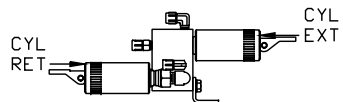
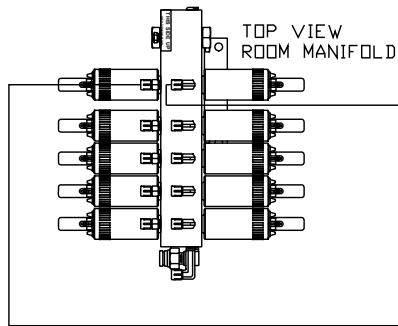
MP70391 F/1  
06MAY15

\*: PART OF THE ROOM  
EXTENSION MECHANISM.

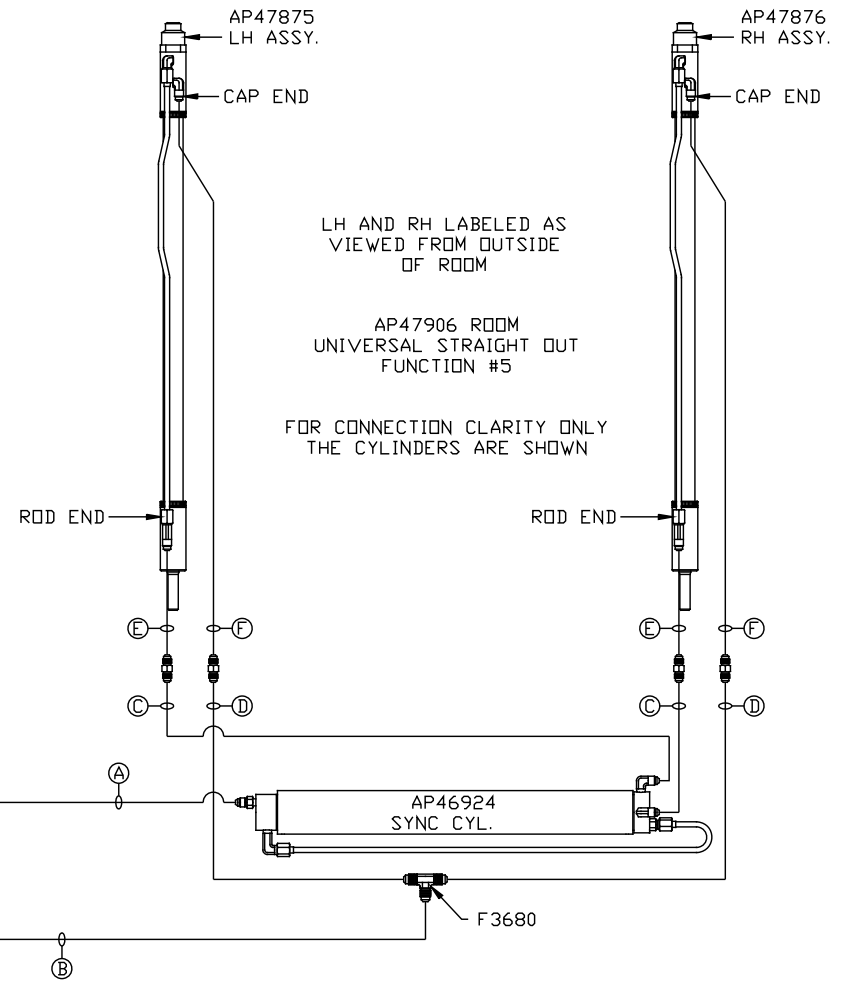
- Ⓐ .25" ID HOSE  
ROD END - ALWAYS PRESSURIZED
- Ⓑ .25" ID HOSE  
CAP END
- Ⓒ .125" ID HOSE  
ROD END - ALWAYS PRESSURIZED - MUST  
BE HIGH PRESSURE HOSES OF EQUAL  
LENGTH AND DIAMETER
- Ⓓ .125" ID HOSE  
CAP END - MUST MAINTAIN EQUAL LENGTH  
AND DIAMETER

NOTE: HOSES Ⓔ AND Ⓕ ARE INCLUDED  
WITH THE ROOM EXTENSION MECHANISM.

- Ⓔ AP24637 HOSE ASSY HWH02HP x 66"  
CAP END - MUST MAINTAIN EQUAL LENGTH  
AND DIAMETER
- Ⓕ AP24631 HOSE ASSY HWH02HP x 42"  
ROD END - ALWAYS PRESSURIZED - MUST  
BE HIGH PRESSURE HOSES OF EQUAL  
LENGTH AND DIAMETER



SIDE VIEW MANIFOLD-AP48097  
MANIFOLD IS LOCATED NEXT  
TO PUMP MANIFOLD ASSY.



NOTE: INSTALLATION MUST CONFORM TO GOOD SHOP PRACTICES, SAE  
STANDARDS, RVIA STANDARDS, AND OTHER APPLICABLE STANDARDS.

MP70391 G/I  
29MAR11

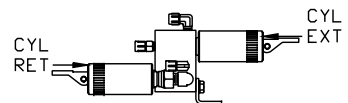
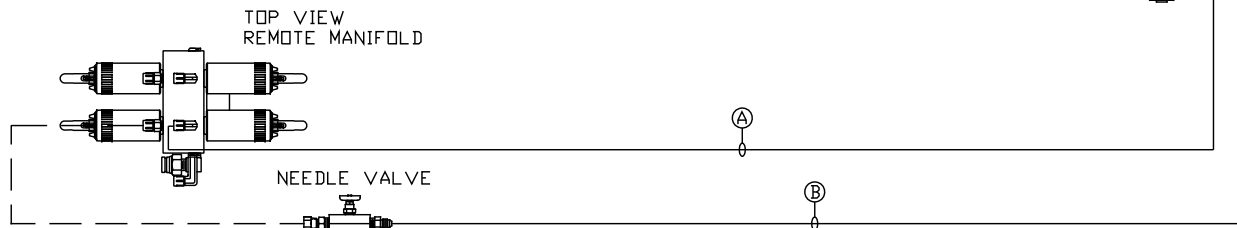
Ⓐ AP24641 HOSE ASSY HWH02HP x 114"  
ROD END - ALWAYS PRESSURIZED

Ⓑ AP24641 HOSE ASSY HWH02HP x 114"  
CAP END

NOTE: HOSES NOT NOTED ARE INCLUDED  
WITH THE STEP MECHANISM.

AP47923  
STEP MECHANISM  
FUNCTION #6

FOR CONNECTION CLARITY ONLY  
THE CYLINDER IS SHOWN



SIDE VIEW MANIFOLD-AP47233  
LOCATION AND ORIENTATION OF  
MANIFOLD ASSEMBLY WILL  
DIFFER DEPENDING UPON O.E.M.

NOTE: INSTALLATION MUST CONFORM TO GOOD SHOP PRACTICES, SAE  
STANDARDS, RVIA STANDARDS, AND OTHER APPLICABLE STANDARDS.

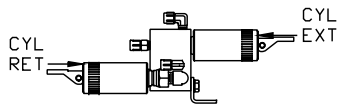
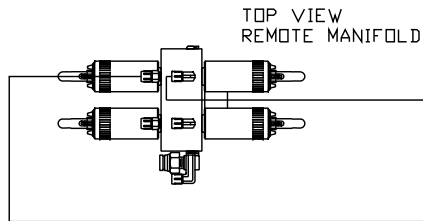
MP70391 H/I  
22MAR11



\*: PART OF THE ROOM  
EXTENSION MECHANISM.

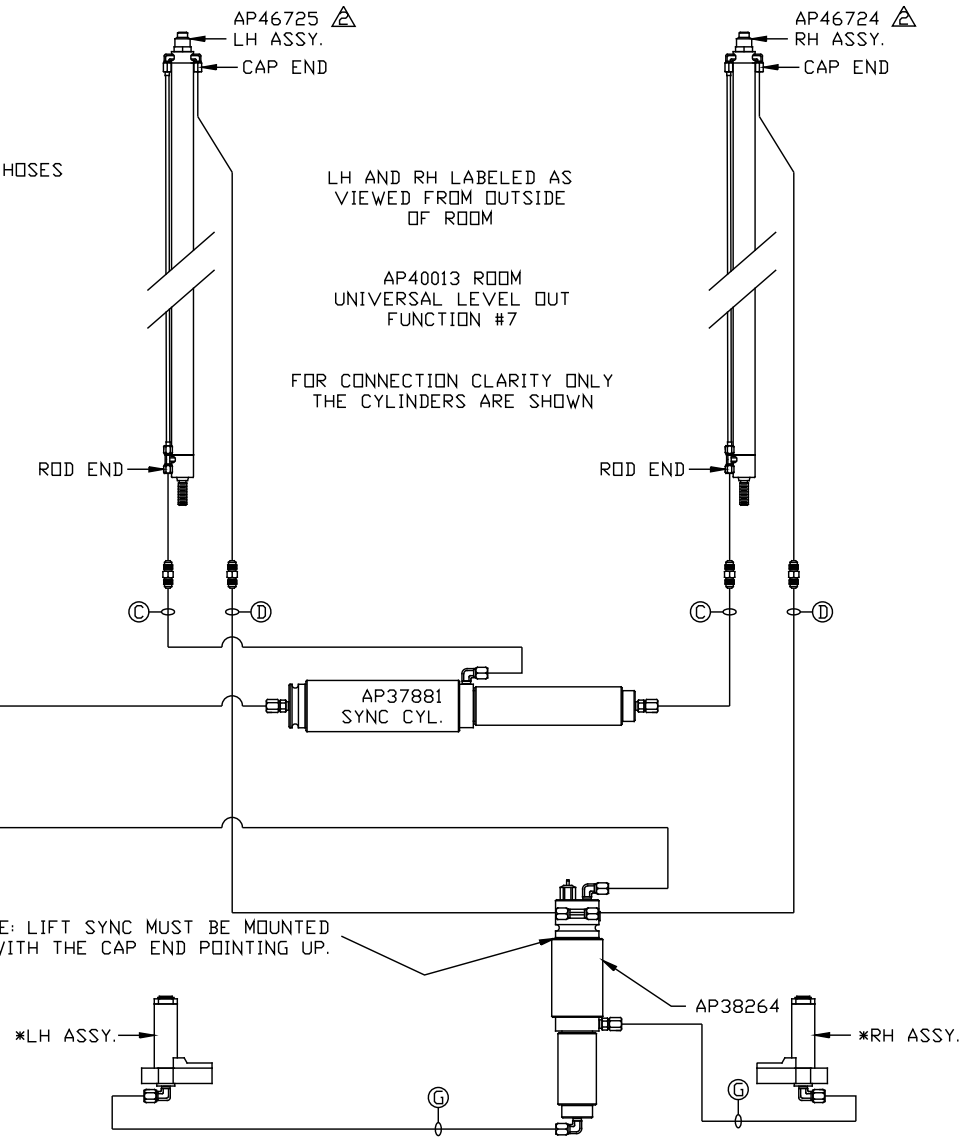
- Ⓐ .25" ID HOSE  
ROD END - ALWAYS PRESSURIZED
- Ⓑ .25" ID HOSE  
CAP END
- Ⓒ .125" ID HOSE  
ROD END - ALWAYS PRESSURIZED - MUST  
BE HIGH PRESSURE HOSES OF EQUAL  
LENGTH AND DIAMETER
- Ⓓ .125" ID HOSE  
CAP END - MUST MAINTAIN EQUAL LENGTH  
AND DIAMETER

Ⓒ .125" ID HOSE  
CAP END - MUST BE HIGH PRESSURE HOSES  
OF EQUAL LENGTH AND DIAMETER



SIDE VIEW MANIFOLD-AP47233  
LOCATION AND ORIENTATION OF  
MANIFOLD ASSEMBLY WILL  
DIFFER DEPENDING UPON O.E.M.

NOTE: LIFT SYNC MUST BE MOUNTED  
WITH THE CAP END POINTING UP.



NOTE: INSTALLATION MUST CONFORM TO GOOD SHOP PRACTICES, SAE  
STANDARDS, RVIA STANDARDS, AND OTHER APPLICABLE STANDARDS.

MP70391 I/I  
06MAY15