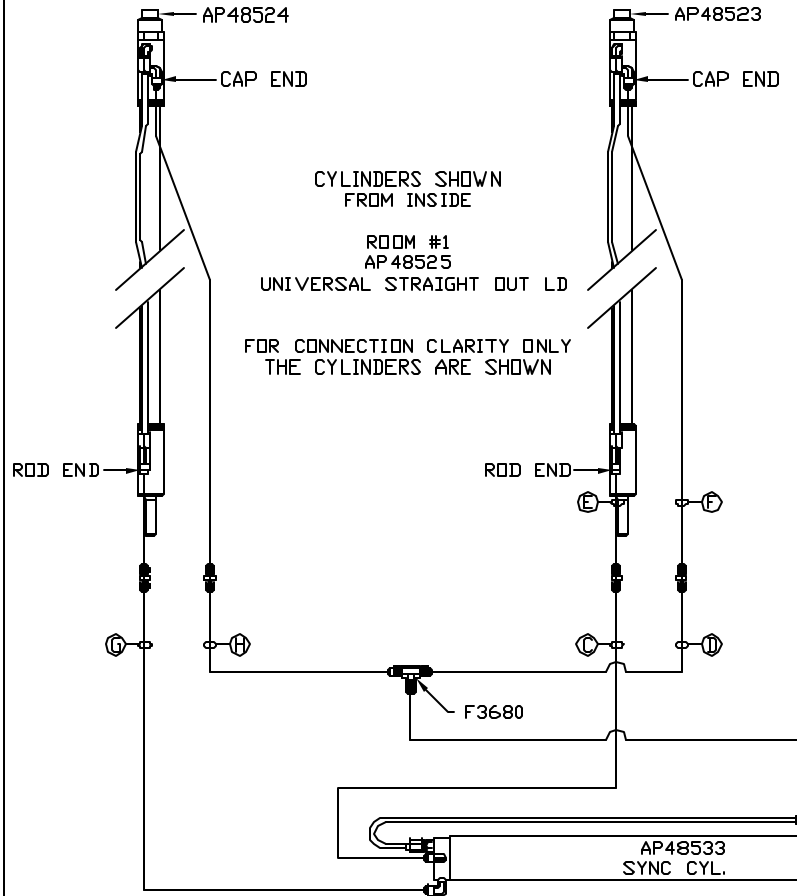


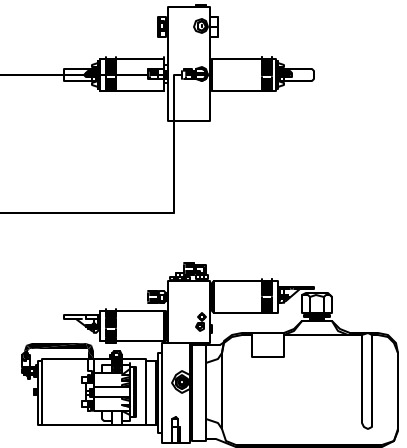
NOTE: HOSES (E) AND (F) ARE INCLUDED WITH THE ROOM EXTENSION MECHANISM.



- (A) AP24646 HOSE ASSY HWH02HP x 156'  
ROD END - ALWAYS PRESSURIZED
- (B) AP50261 HOSE ASSY 03 x 168"  
CAP END
- (C) AP23739 HOSE ASSY HWH02HP x 150"  
ROD END - ALWAYS PRESSURIZED - MUST BE HIGH PRESSURE HOSES OF EQUAL LENGTH AND DIAMETER
- (D) AP50260 HOSE ASSY 03 x 150"  
CAP END - MUST MAINTAIN EQUAL LENGTH AND DIAMETER
- (E) AP24630 HOSE ASSY HWH02HP x 36"  
ROD END - ALWAYS PRESSURIZED - MUST BE HIGH PRESSURE HOSES OF EQUAL LENGTH AND DIAMETER
- (F) AP48866 HOSE ASSY 03 x 36"  
CAP END - MUST MAINTAIN EQUAL LENGTH AND DIAMETER

- (G) AP24648 HOSE ASSY HWH02HP x 168"  
ROD END - ALWAYS PRESSURIZED - MUST BE HIGH PRESSURE HOSES OF EQUAL LENGTH AND DIAMETER
- (H) AP50261 HOSE ASSY 03 x 168" (A)  
CAP END - MUST MAINTAIN EQUAL LENGTH AND DIAMETER

TOP VIEW - MANIFOLD



SIDE VIEW PUMP/MANIFOLD-AP48881

LOCATION AND ORIENTATION OF PUMP/MANIFOLD ASSEMBLY WILL DIFFER DEPENDING UPON O.E.M.

			HWH		I-80 EXIT 267 SOUTH RT 1 MOSCOW, IDWA 52760	
(A)	11APR12	WAS AP50259	SCALE 1:6	DATE 18JUL11	DRAWN BY .	
2	03APR12	REVISED HOSES	HYD CONN DIAGRAM			
1	16MAR12	REVISED HOSES				
NO.	DATE	REVISION				
THE INFORMATION DISCLOSED ON THIS DRAWING IS CONFIDENTIAL AND MUST NOT BE DISCLOSED OR USED IN ANY MANNER WHICH WILL BE DETRIMENTAL TO THE HWH CORPORATION			TIFFIN		DRAWING NUMBER MP70413	

NOTE: INSTALLATION MUST CONFORM TO GOOD SHOP PRACTICES, SAE STANDARDS, RVIA STANDARDS, AND OTHER APPLICABLE STANDARDS.

PUMP/HOSE/HARN KIT: AP48869