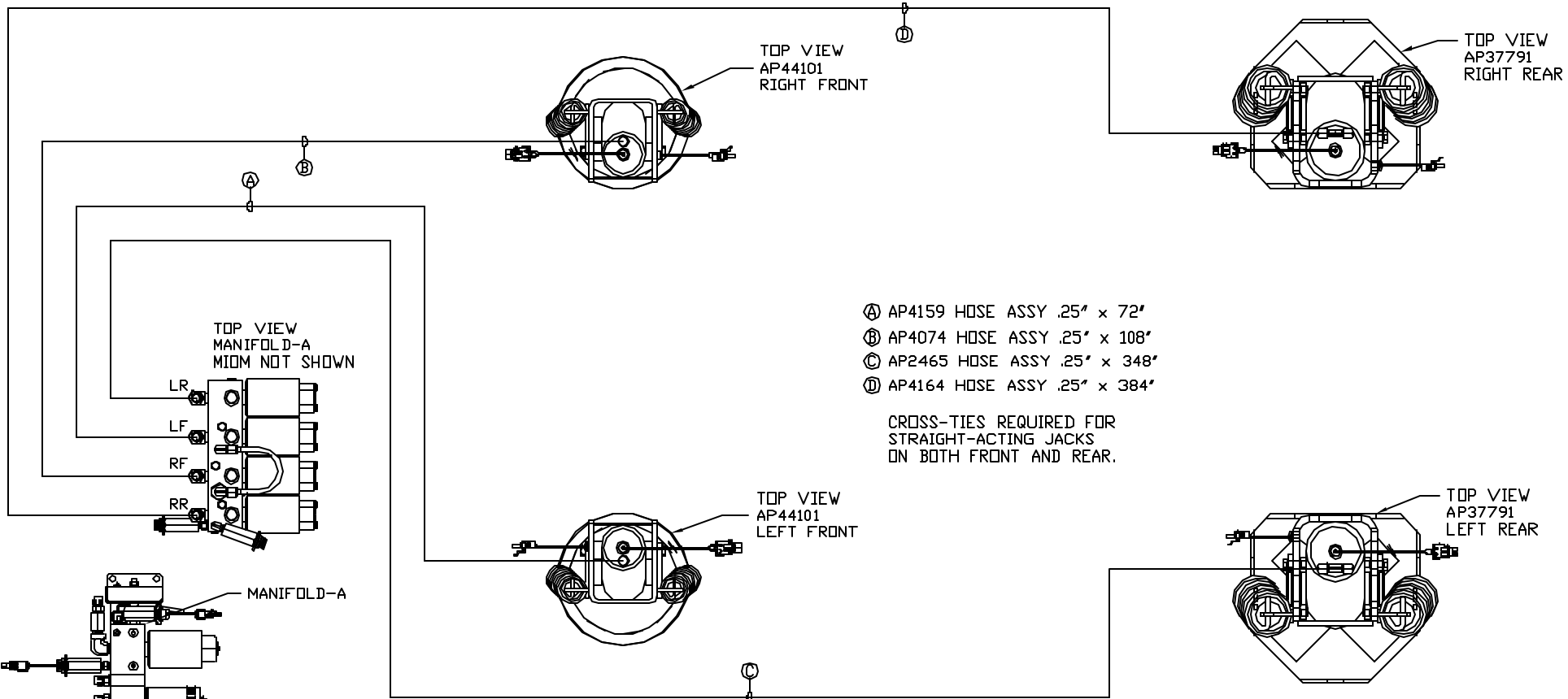
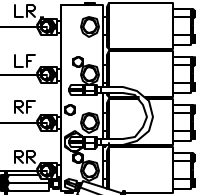


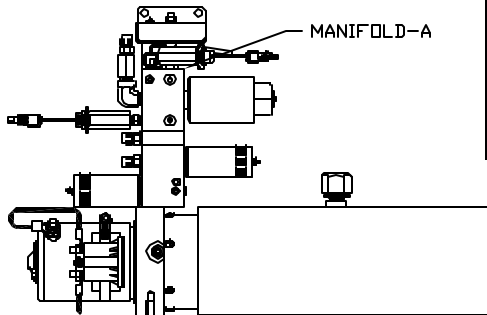
ORIENTATION
FRONT



TOP VIEW
MANIFOLD-A
MIDM NOT SHOWN



MANIFOLD-A



SIDE VIEW PUMP/MANIFOLD-AP49376

LOCATION AND ORIENTATION OF
PUMP/MANIFOLD ASSEMBLY WILL
DIFFER DEPENDING UPON O.E.M.

- Ⓐ AP4159 HOSE ASSY .25" x 72'
- Ⓑ AP4074 HOSE ASSY .25" x 108'
- Ⓒ AP2465 HOSE ASSY .25" x 348'
- Ⓓ AP4164 HOSE ASSY .25" x 384'

CROSS-TIES REQUIRED FOR
STRAIGHT-ACTING JACKS
ON BOTH FRONT AND REAR.

NOTE: INSTALLATION MUST CONFORM TO GOOD SHOP PRACTICES, SAE STANDARDS, RVIA STANDARDS, AND OTHER APPLICABLE STANDARDS.

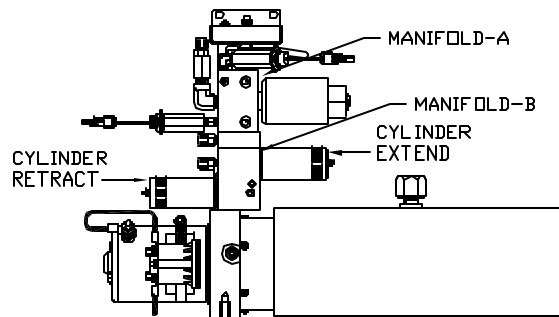
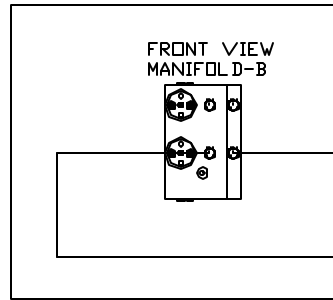
Ⓐ	11 JAN 12	RVSD HOSE ROUTING, WAS AP48924
1	21 DEC 11	RVSD AP48959 CONNECTION
NO.	DATE	REVISION
SYNC KIT: AP49370		
PUMP KIT: AP49375		
JACK KIT: AP48796		

HWH			I-80 EXIT 267 SOUTH RT 1 MOSCOW, IOWA 52760		
SCALE 1:6	DATE 18 OCT 11	DRAWN BY .			
HYD CONN DIAGRAM					
TIFFIN				DRAWING NUMBER MP70470 A/C	

NOTE: HOSES (C) AND (F) ARE INCLUDED WITH THE ROOM EXTENSION MECHANISM

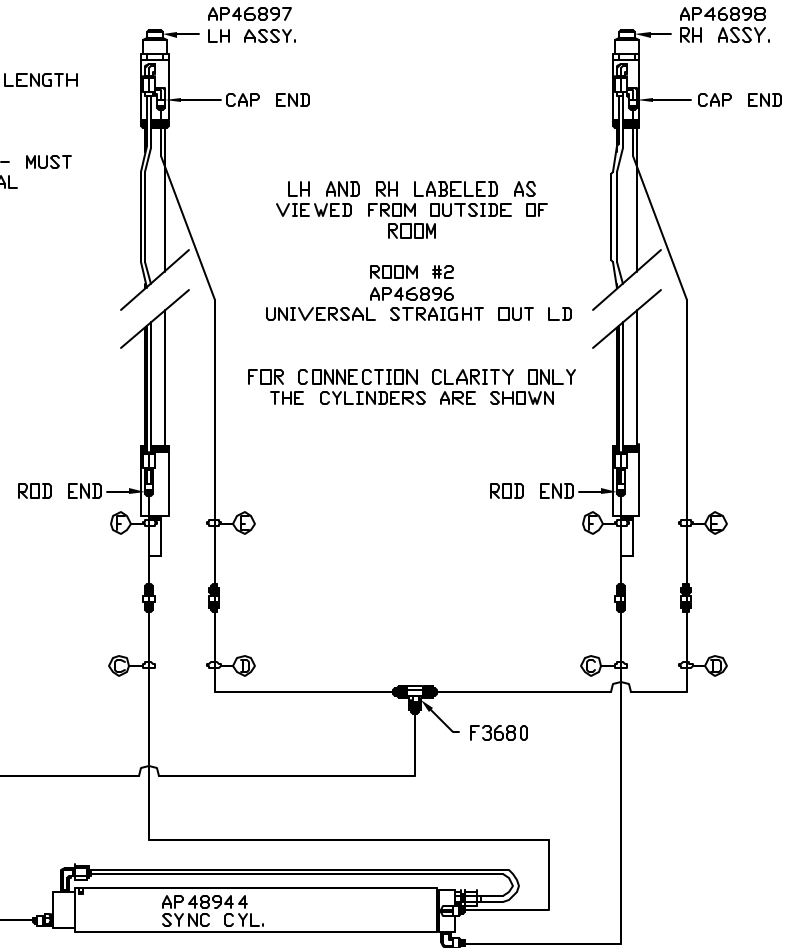
- (A) AP4163 HOSE ASSY .25" x 360"
ROD END - ALWAYS PRESSURIZED
- (B) AP4391 HOSE ASSY .25" x 372"
CAP END
- (C) AP24639 HOSE ASSY HWH02HP x 96"
ROD END - ALWAYS PRESSURIZED
HOSES MUST BE HIGH PRESSURE
HOSES OF EQUAL LENGTH AND DIAMETER
- (D) AP5352 HOSE ASSY .25" x 96"
CAP END - HOSES MUST MAINTAIN
EQUAL LENGTH AND DIAMETER

- (E) AP4059 HOSE ASSY .25" x 36"
CAP END - MUST MAINTAIN EQUAL LENGTH
AND DIAMETER
- (F) AP48866 HOSE ASSY 03 x 36"
ROD END - ALWAYS PRESSURIZED - MUST
BE HIGH PRESSURE HOSES OF EQUAL
LENGTH AND DIAMETER



SIDE VIEW PUMP/MANIFOLD-AP 49376

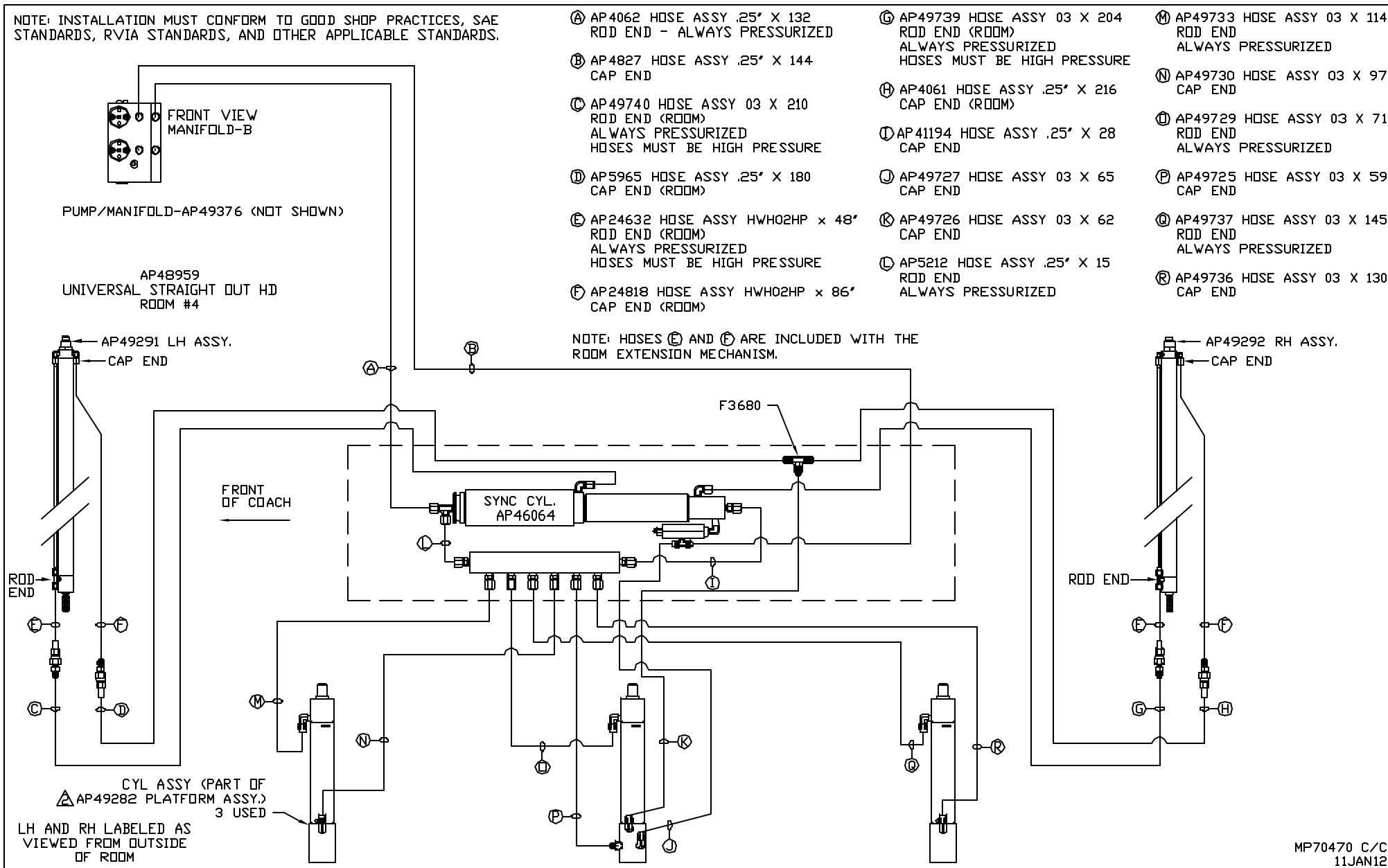
LOCATION AND ORIENTATION OF
PUMP/MANIFOLD ASSEMBLY WILL
DIFFER DEPENDING UPON O.E.M.



NOTE: INSTALLATION MUST CONFORM TO GOOD SHOP PRACTICES, SAE STANDARDS, RVIA STANDARDS, AND OTHER APPLICABLE STANDARDS.

MP70470 B/C
18OCT11

NOTE: INSTALLATION MUST CONFORM TO GOOD SHOP PRACTICES, SAE STANDARDS, RVIA STANDARDS, AND OTHER APPLICABLE STANDARDS.



Ⓐ AP4062 HOSE ASSY .25' X 132
ROD END - ALWAYS PRESSURIZED

Ⓑ AP4827 HOSE ASSY .25' X 144
CAP END

Ⓒ AP49740 HOSE ASSY 03 X 210
ROD END (ROOM)
ALWAYS PRESSURIZED
HOSES MUST BE HIGH PRESSURE

Ⓓ AP5965 HOSE ASSY .25' X 180
CAP END (ROOM)

Ⓔ AP24632 HOSE ASSY HWH02HP x 48'
ROD END (ROOM)
ALWAYS PRESSURIZED
HOSES MUST BE HIGH PRESSURE

Ⓕ AP24818 HOSE ASSY HWH02HP x 86'
CAP END (ROOM)

Ⓖ AP49739 HOSE ASSY 03 X 204
ROD END (ROOM)
ALWAYS PRESSURIZED
HOSES MUST BE HIGH PRESSURE

Ⓗ AP4061 HOSE ASSY .25' X 216
CAP END (ROOM)

Ⓘ AP41194 HOSE ASSY .25' X 28
CAP END

Ⓛ AP49727 HOSE ASSY 03 X 65
CAP END

Ⓚ AP49726 HOSE ASSY 03 X 62
CAP END

Ⓛ AP5212 HOSE ASSY .25' X 15
ROD END
ALWAYS PRESSURIZED

Ⓜ AP49733 HOSE ASSY 03 X 114
ROD END
ALWAYS PRESSURIZED

Ⓝ AP49730 HOSE ASSY 03 X 97
CAP END

Ⓞ AP49729 HOSE ASSY 03 X 71
ROD END
ALWAYS PRESSURIZED

Ⓟ AP49725 HOSE ASSY 03 X 59
CAP END

Ⓞ AP49737 HOSE ASSY 03 X 145
ROD END
ALWAYS PRESSURIZED

Ⓡ AP49736 HOSE ASSY 03 X 130
CAP END

NOTE: HOSES Ⓔ AND Ⓕ ARE INCLUDED WITH THE
ROOM EXTENSION MECHANISM.

PUMP/MANIFOLD-AP49376 (NOT SHOWN)

AP48959
UNIVERSAL STRAIGHT OUT HD
ROOM #4

FRONT VIEW
MANIFOLD-B

FRONT
OF COACH
←

F3680

SYNC CYL.
AP46064

CYL ASSY (PART OF
AP49282 PLATFORM ASSY.)
3 USED

LH AND RH LABELED AS
VIEWED FROM OUTSIDE
OF ROOM