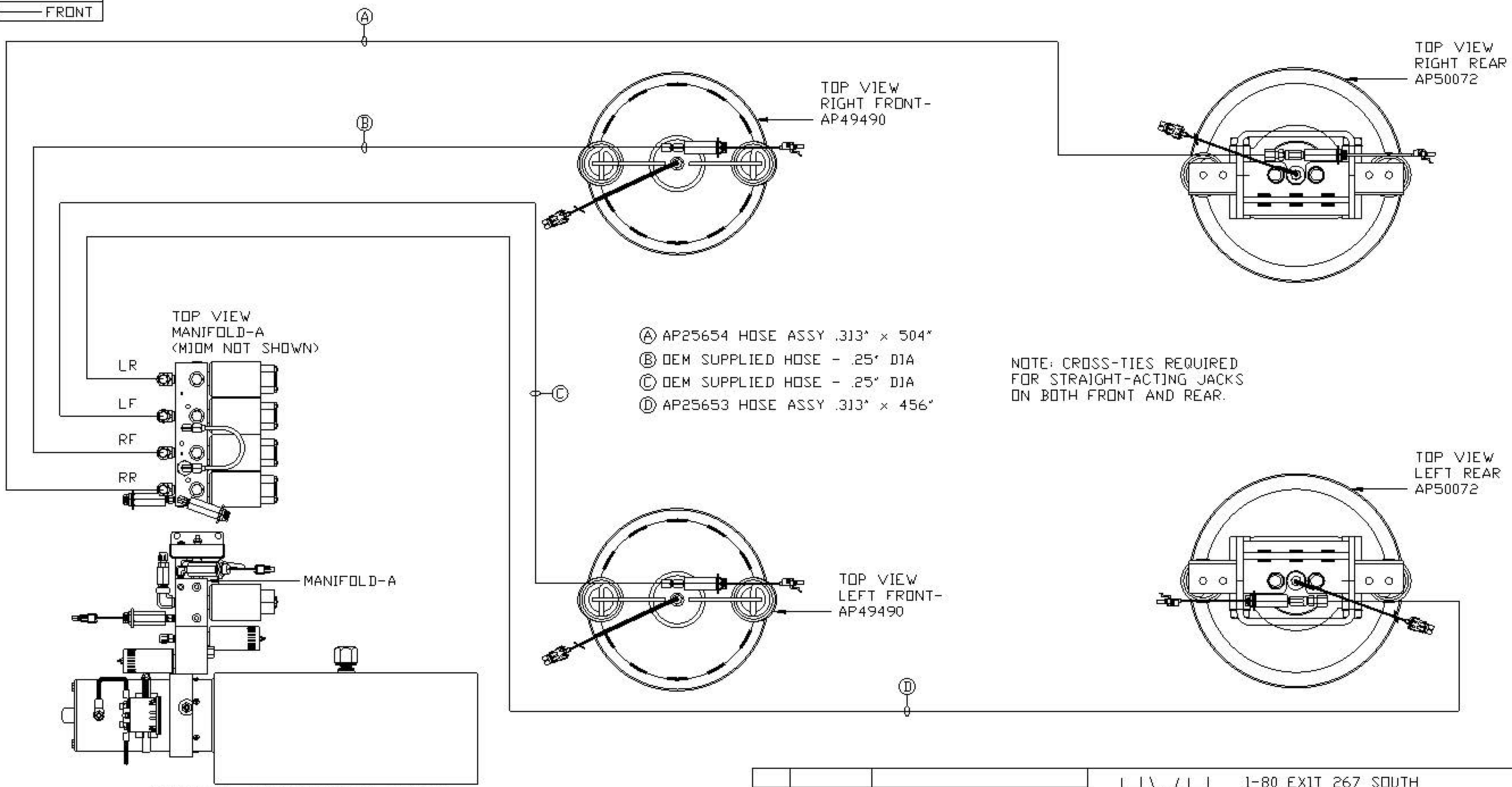


ORIENTATION
FRONT



SIDE VIEW PUMP/MANIFOLD-AP48039

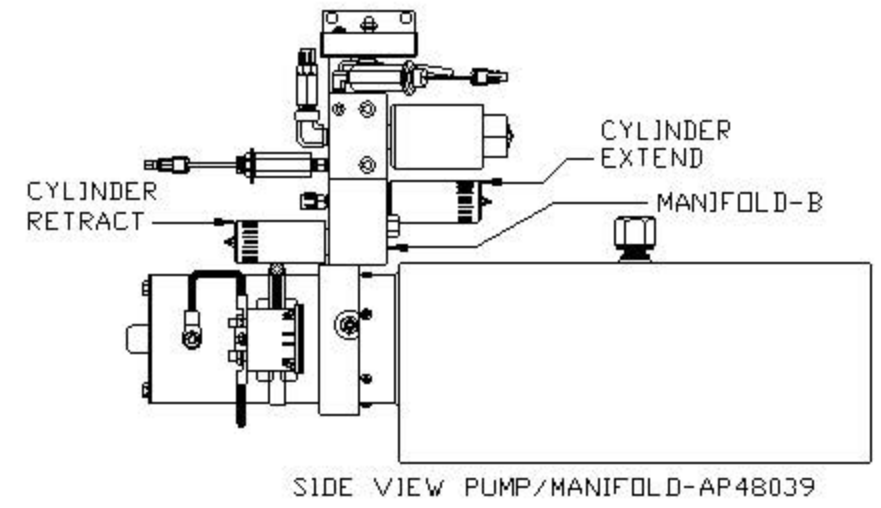
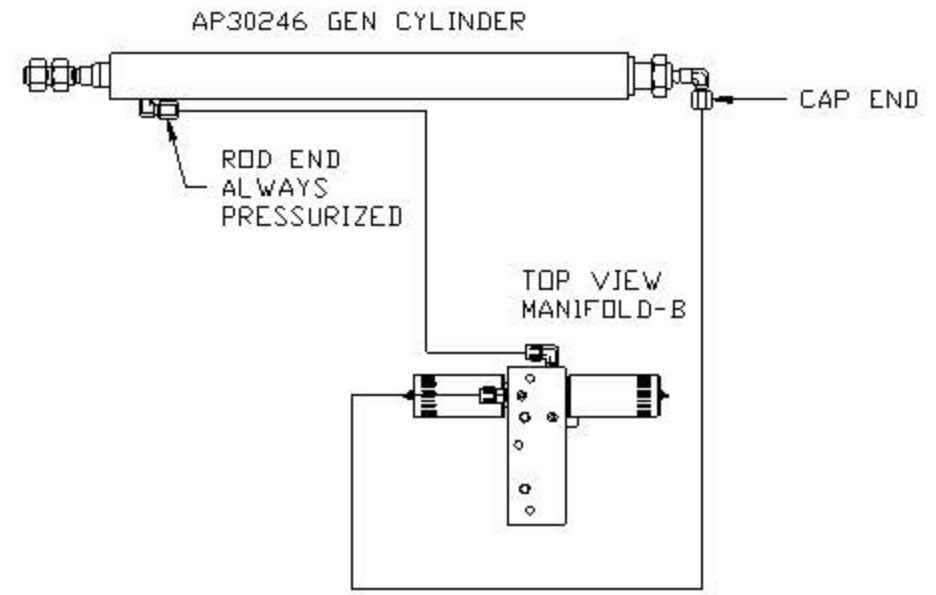
LOCATION AND ORIENTATION OF PUMP/MANIFOLD ASSEMBLY WILL DIFFER DEPENDING UPON D.E.M.

		HWH		1-80 EXIT 267 SOUTH	
				RT 1 MOSCOW, IOWA 52760	
		SCALE 1:6	DATE 19MAR12	DRAWN BY	

NO.			DATE			REVISION		
-----	--	--	------	--	--	----------	--	--

THE INFORMATION DISCLOSED ON THIS DRAWING IS CONFIDENTIAL AND MUST NOT BE DISCLOSED OR USED IN ANY MANNER WHICH WILL BE DETRIMENTAL TO THE HWH CORPORATION				HYD CONN DIAGRAM		DRAWING NUMBER	
NEWMAR K2				MP70521		A/B	

NOTE: INSTALLATION MUST CONFORM TO GOOD SHOP PRACTICES, SAE STANDARDS, RVIA STANDARDS, AND OTHER APPLICABLE STANDARDS. LEVELING SYSTEM: AP50076



LOCATION AND ORIENTATION OF PUMP/MANIFOLD ASSEMBLY WILL DIFFER DEPENDING UPON O.E.M.