

ORIENTATION

← FRONT

Ⓐ HOSE ASSY .25" ROD END - ALWAYS PRESSURIZED

Ⓑ HOSE ASSY .25" CAP END

Ⓒ HOSE ASSY HWH02HP OR 03 ROD END - ALWAYS PRESSURIZED HOSES MUST BE EQUAL LENGTH AND DIAMETER

Ⓓ HOSE ASSY .25" CAP END - HOSES MUST MAINTAIN EQUAL LENGTH AND DIAMETER

Ⓔ AP24632 HOSE ASSY HWH02HP x 48" ROD END - ALWAYS PRESSURIZED - MUST BE HOSES OF EQUAL LENGTH AND DIAMETER

Ⓕ AP24818 HOSE ASSY HWH02HP x 86" CAP END - MUST MAINTAIN EQUAL LENGTH AND DIAMETER

Ⓖ HOSE ASSY .25" ROD END

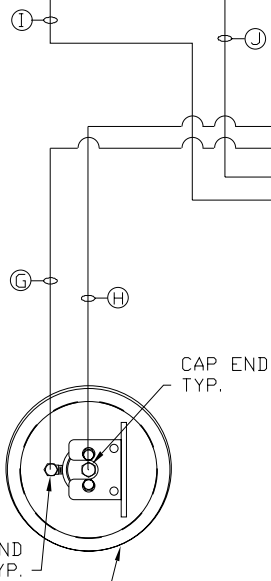
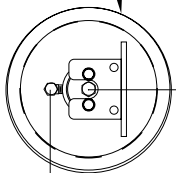
Ⓗ HOSE ASSY .25/05 CAP END

Ⓘ HOSE ASSY .25" ROD END

Ⓝ HOSE ASSY .25/05 CAP END

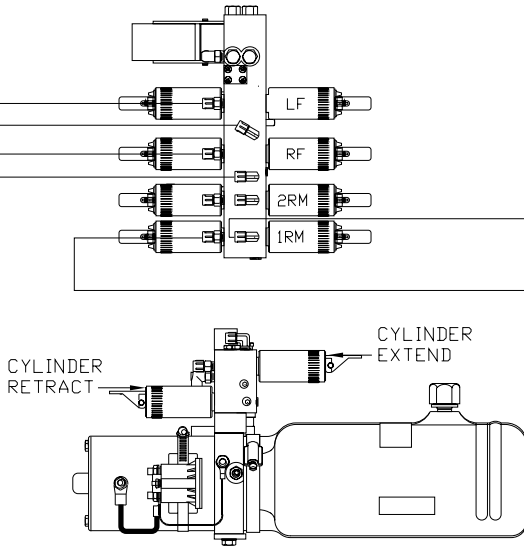
NOTE: HOSES Ⓔ AND Ⓕ ARE INCLUDED WITH THE ROOM EXTENSION MECHANISM

TOP VIEW AP43859 RIGHT FRONT



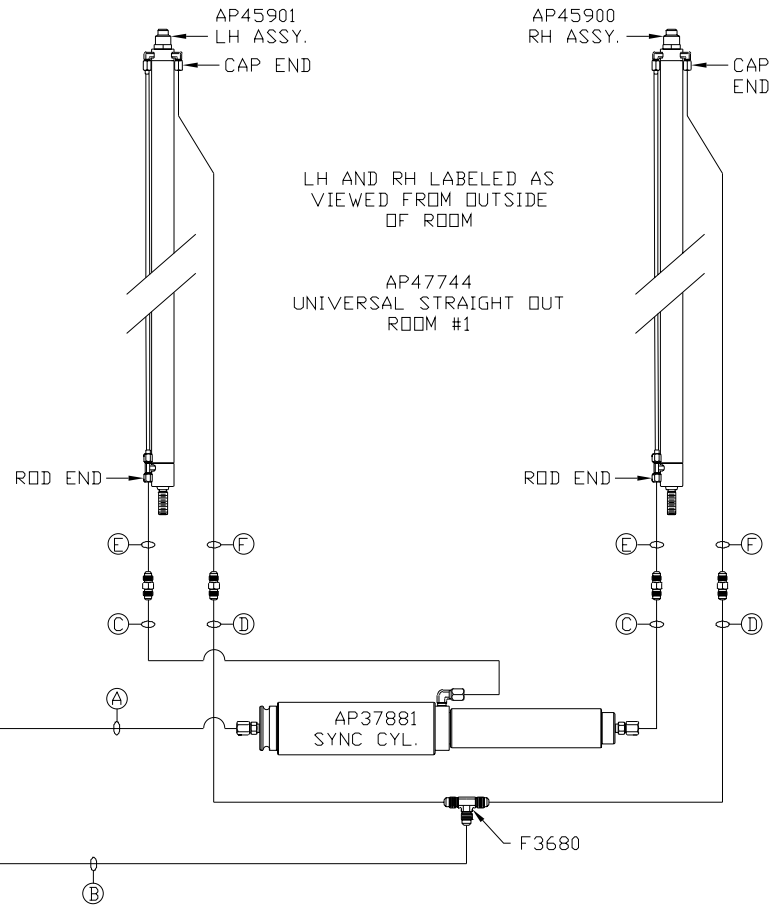
TOP VIEW AP43859 LEFT FRONT

TOP VIEW-PUMP MANIFOLD



SIDE VIEW PUMP/MANIFOLD-AP50278

LOCATION AND ORIENTATION OF PUMP/MANIFOLD ASSEMBLY WILL DIFFER DEPENDING UPON O.E.M.



AP47744 UNIVERSAL STRAIGHT OUT ROOM #1

NOTE: INSTALLATION MUST CONFORM TO GOOD SHOP PRACTICES, SAE STANDARDS, RVIA STANDARDS, AND OTHER APPLICABLE STANDARDS.

JACK KIT: AP50133  
CONTROL PACKAGE: AP47208

NO.	DATE	REVISION
THE INFORMATION DISCLOSED ON THIS DRAWING IS CONFIDENTIAL AND MUST NOT BE DISCLOSED OR USED IN ANY MANNER WHICH WILL BE DETRIMENTAL TO THE HWH CORPORATION		

HWH		I-80 EXIT 267 SOUTH RT 1 MOSCOW, IOWA 52760	
SCALE 1:6	DATE 04MAY12	DRAWN BY .	
HYD CONN DIAGRAM			
MOBILE SPEC.		DRAWING NUMBER MP70528 A/B	

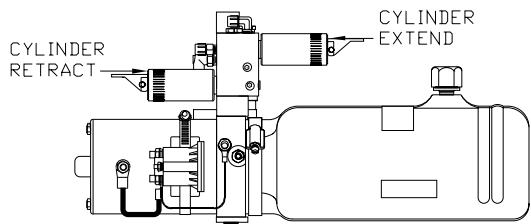
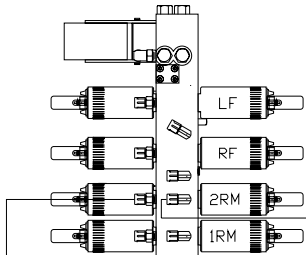
ORIENTATION

← FRONT

NOTE: HOSES (E) AND (F) ARE INCLUDED WITH THE ROOM EXTENSION MECHANISM

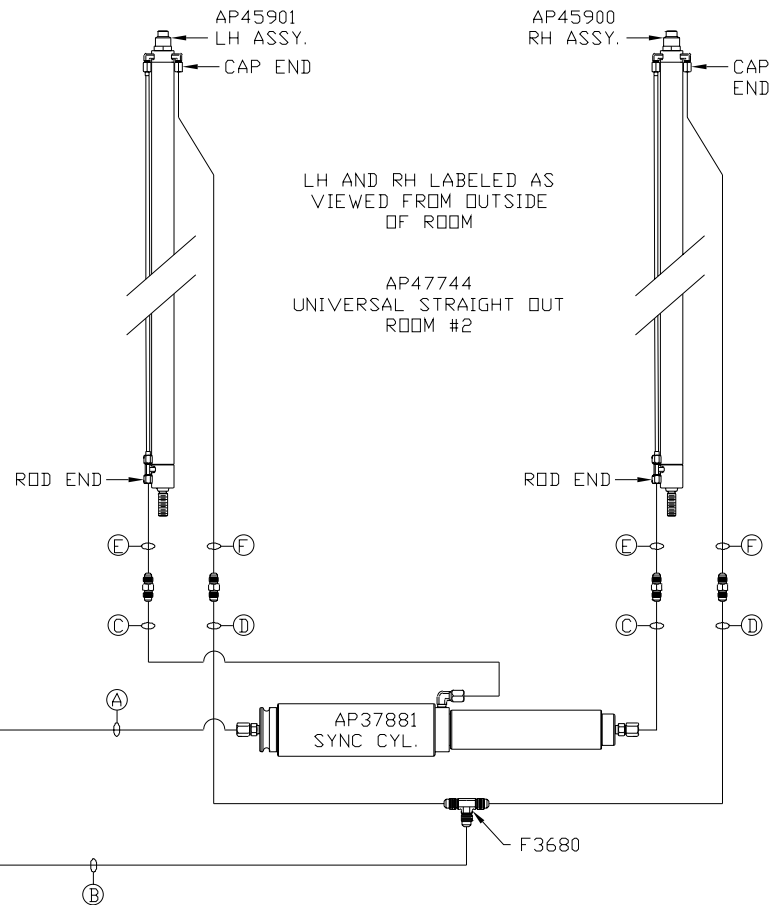
- (A) HOSE ASSY .25" ROD END - ALWAYS PRESSURIZED
- (B) HOSE ASSY .25" CAP END
- (C) HOSE ASSY HWH02HP OR 03 ROD END - ALWAYS PRESSURIZED HOSES MUST BE EQUAL LENGTH AND DIAMETER
- (D) HOSE ASSY .25" CAP END - HOSES MUST MAINTAIN EQUAL LENGTH AND DIAMETER
- (E) AP24632 HOSE ASSY HWH02HP x 48" ROD END - ALWAYS PRESSURIZED - MUST BE HOSES OF EQUAL LENGTH AND DIAMETER
- (F) AP24818 HOSE ASSY HWH02HP x 86" CAP END - MUST MAINTAIN EQUAL LENGTH AND DIAMETER

TOP VIEW-PUMP MANIFOLD



SIDE VIEW PUMP/MANIFOLD-AP50278

LOCATION AND ORIENTATION OF PUMP/MANIFOLD ASSEMBLY WILL DIFFER DEPENDING UPON O.E.M.



NOTE: INSTALLATION MUST CONFORM TO GOOD SHOP PRACTICES, SAE STANDARDS, RVIA STANDARDS, AND OTHER APPLICABLE STANDARDS.