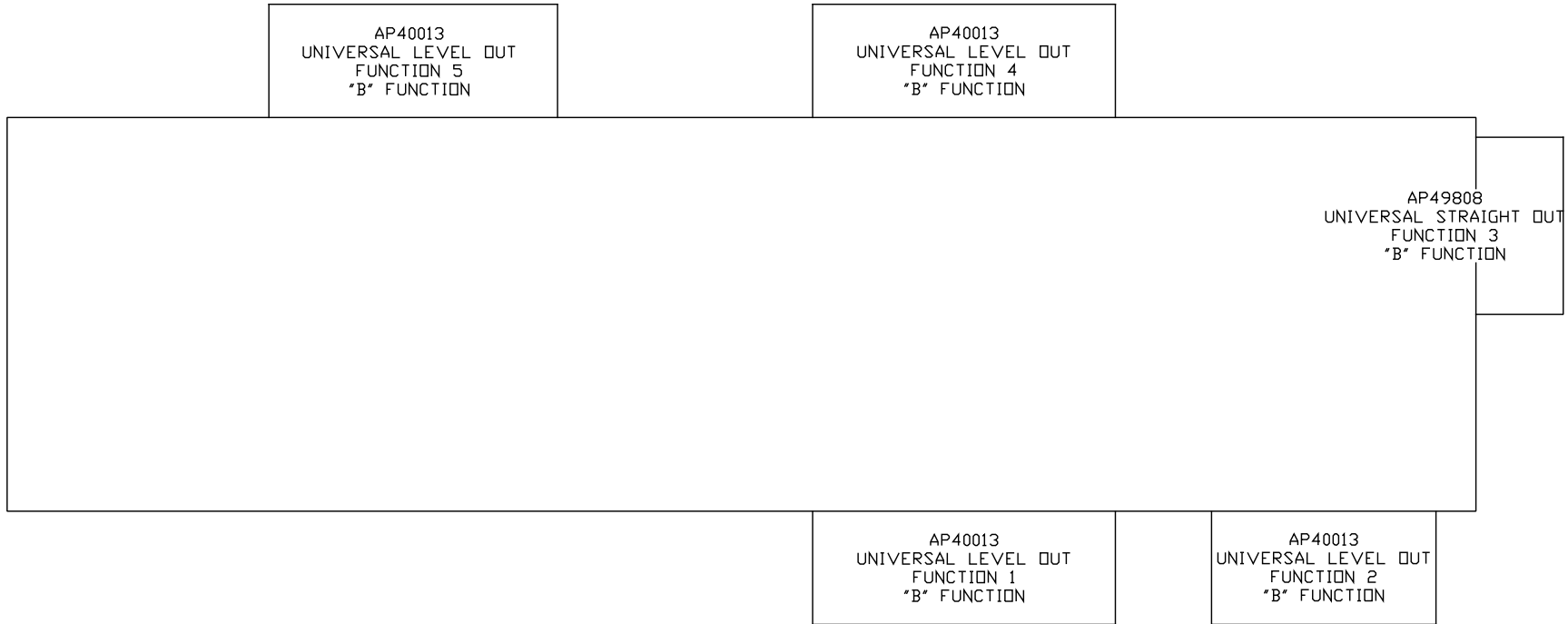


ORIENTATION
 ← FRONT



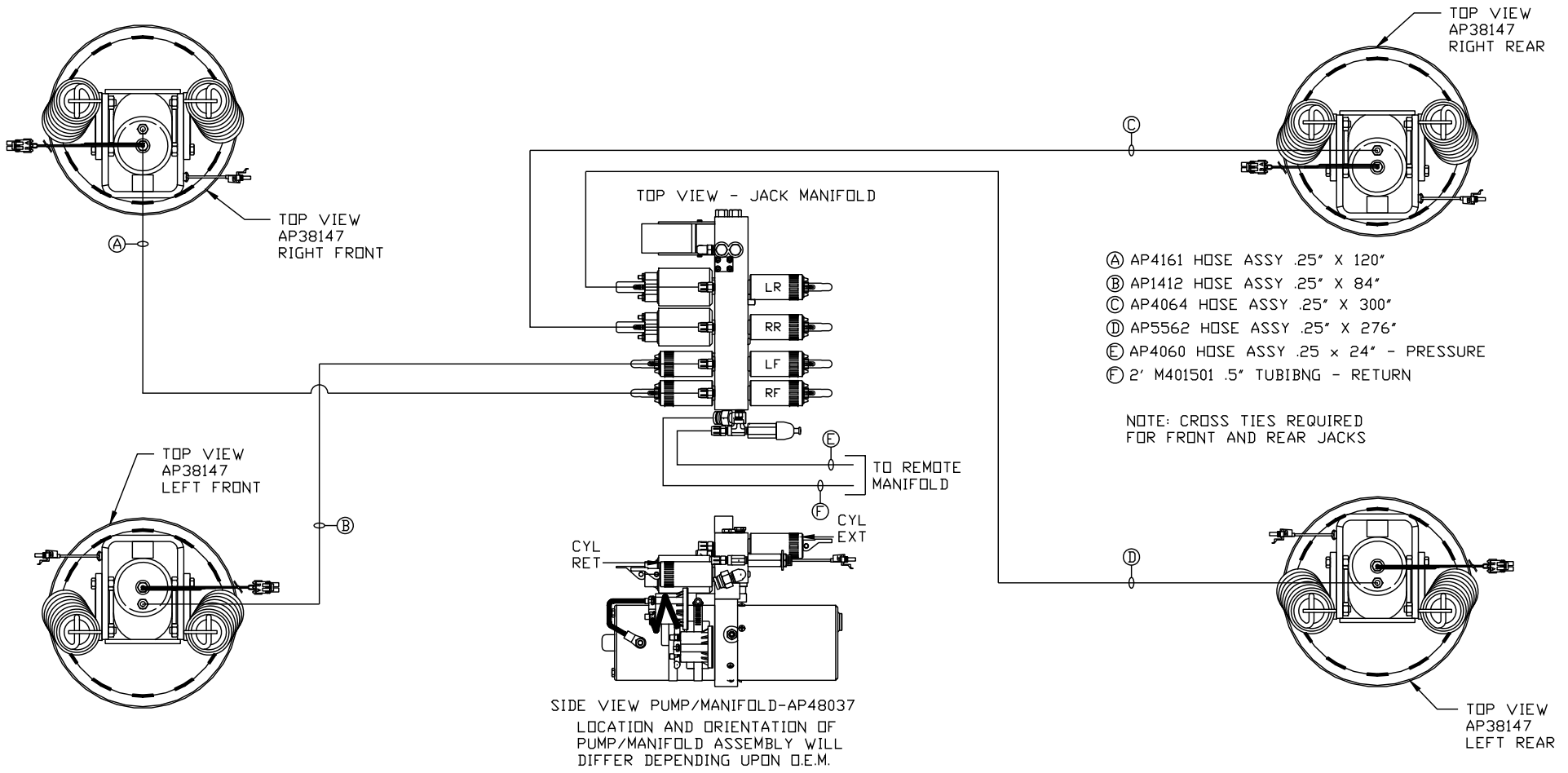
NOTE: INSTALLATION MUST CONFORM TO GOOD SHOP PRACTICES, SAE STANDARDS, RVIA STANDARDS, AND OTHER APPLICABLE STANDARDS.

LEVELING SYSTEM: AP49806

			HWH I-80 EXIT 267 SOUTH RT 1 MOSCOW, IOWA 52760	
			SCALE 1:6	DATE 16MAY12
			DRAWN BY .	
			HYD CONN DIAGRAM	
			LIFELINE	DRAWING NUMBER MP70532 A/G
NO.	DATE	REVISION	THE INFORMATION DISCLOSED ON THIS DRAWING IS CONFIDENTIAL AND MUST NOT BE DISCLOSED OR USED IN ANY MANNER WHICH WILL BE DETRIMENTAL TO THE HWH CORPORATION	

ORIENTATION

← FRONT



NOTE: INSTALLATION MUST CONFORM TO GOOD SHOP PRACTICES, SAE STANDARDS, RVIA STANDARDS, AND OTHER APPLICABLE STANDARDS.

MP70532 B/G
16MAY12

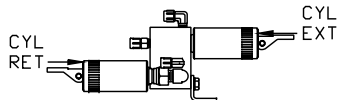
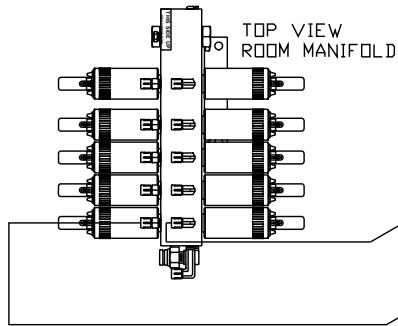
AP50015 HOSE KIT ULD / MIDDLE

*: PART OF THE ROOM
EXTENSION MECHANISM.

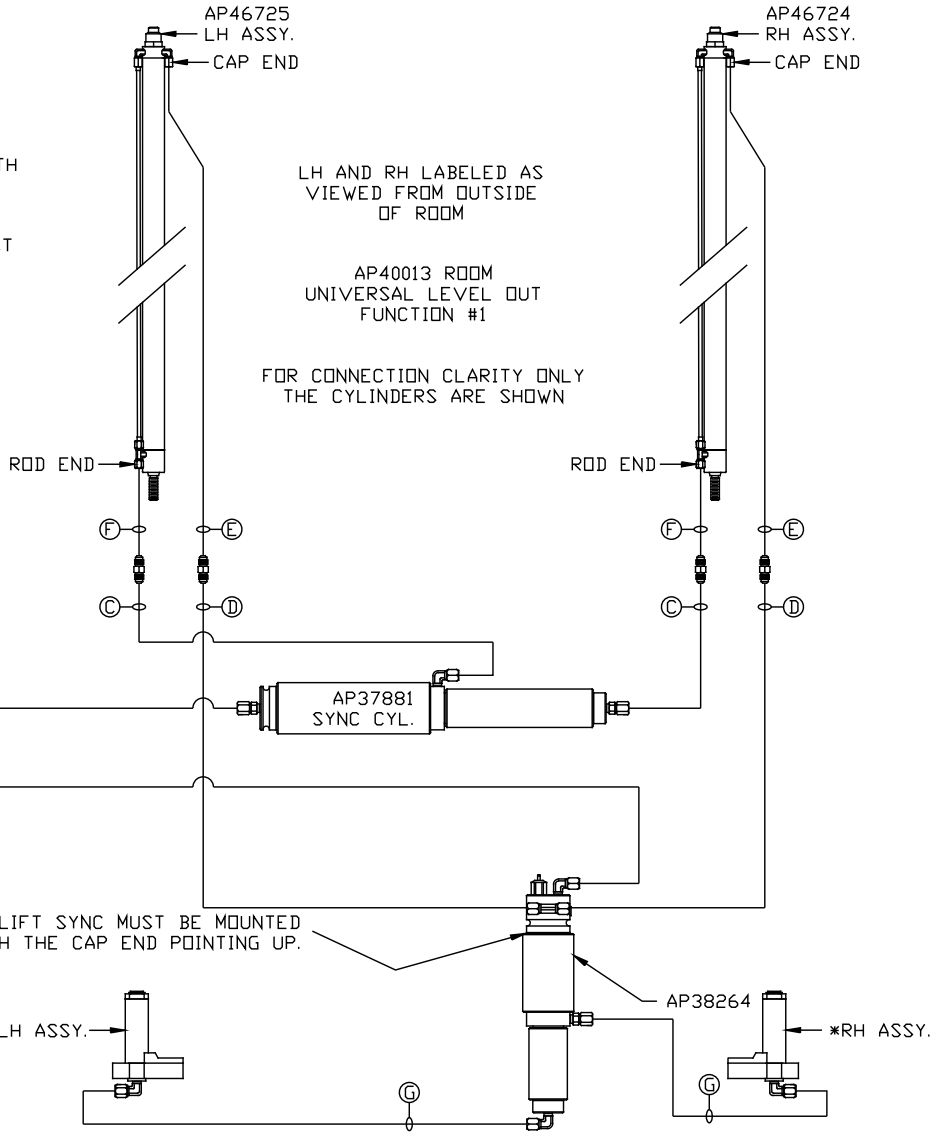
- Ⓐ AP4061 HOSE ASSY .25" x 216"
ROD END - ALWAYS PRESSURIZED
- Ⓑ AP4061 HOSE ASSY .25" x 216"
CAP END
- Ⓒ AP49244 HOSE ASSY 03 x 108"
ROD END - ALWAYS PRESSURIZED - MUST
MAINTAIN EQUAL LENGTH AND DIAMETER
- Ⓓ AP4074 HOSE ASSY .25" x 108"
CAP END - MUST MAINTAIN EQUAL LENGTH
AND DIAMETER

NOTE: ITEMS Ⓔ AND Ⓕ ARE INCLUDED
WITH THE ROOM EXTENSION MECHANISM.

- Ⓔ AP48270 HYDRAULIC TUBE ASSY 75.5"
CAP END - MUST MAINTAIN EQUAL LENGTH
AND DIAMETER
- Ⓕ AP48355 HYDRAULIC TUBE ASSY 42"
ROD END - ALWAYS PRESSURIZED - MUST
MAINTAIN EQUAL LENGTH AND DIAMETER
- Ⓖ AP47601 HOSE ASSY 03 x 72"
CAP END - MUST MAINTAIN EQUAL
LENGTH AND DIAMETER



SIDE VIEW MANIFOLD-AP48097
MANIFOLD IS LOCATED NEXT
TO PUMP MANIFOLD ASSY.



NOTE: INSTALLATION MUST CONFORM TO GOOD SHOP PRACTICES, SAE
STANDARDS, RVIA STANDARDS, AND OTHER APPLICABLE STANDARDS.

MP70532 C/G
16MAY12

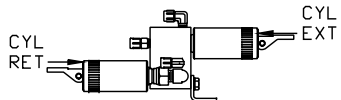
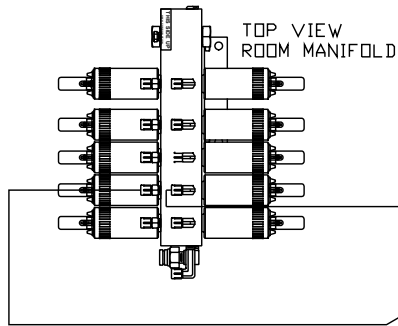
AP50016 HOSE KIT ULD / REAR

*: PART OF THE ROOM
EXTENSION MECHANISM.

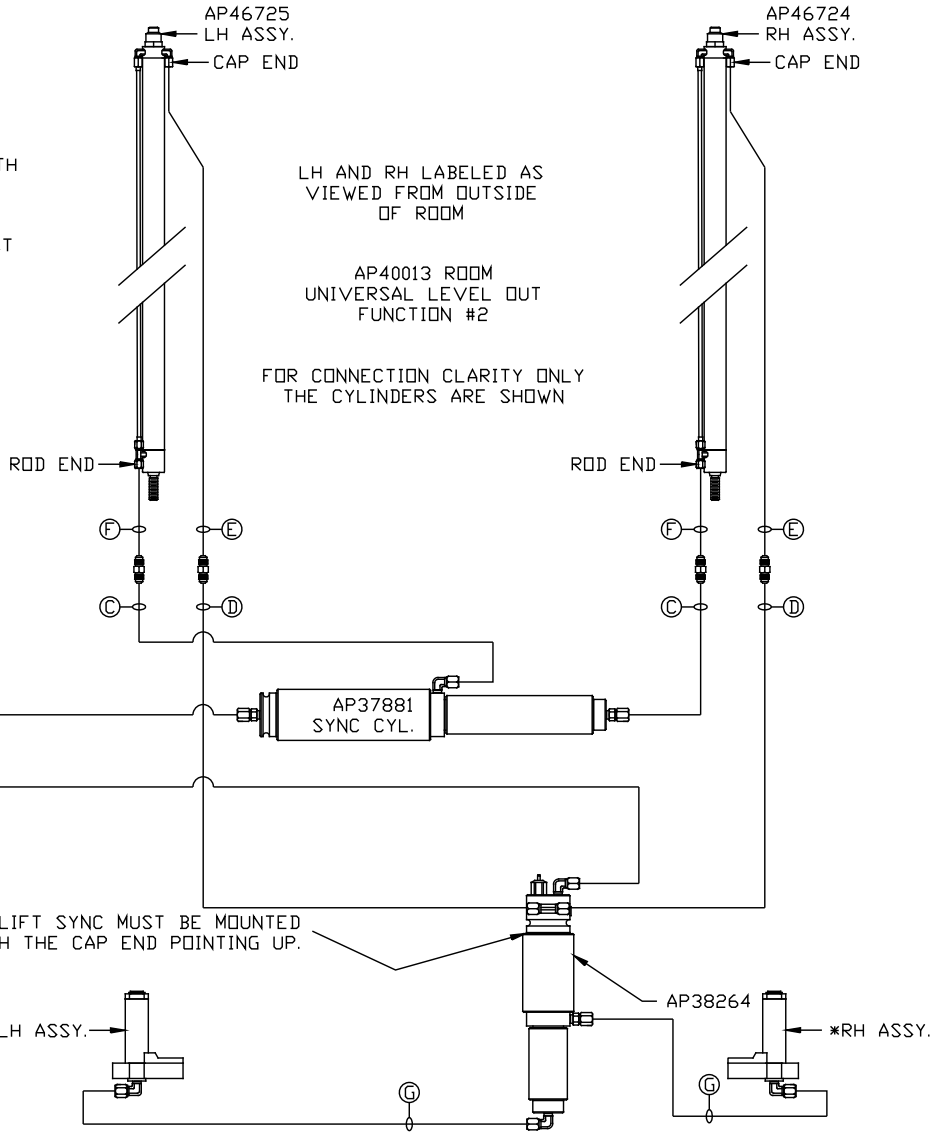
- Ⓐ AP5216 HOSE ASSY .25" x 312"
ROD END - ALWAYS PRESSURIZED
- Ⓑ AP5216 HOSE ASSY .25" x 312"
CAP END
- Ⓒ AP49244 HOSE ASSY 03 x 108"
ROD END - ALWAYS PRESSURIZED - MUST
MAINTAIN EQUAL LENGTH AND DIAMETER
- Ⓓ AP4074 HOSE ASSY .25" x 108"
CAP END - MUST MAINTAIN EQUAL LENGTH
AND DIAMETER

NOTE: ITEMS Ⓔ AND Ⓕ ARE INCLUDED
WITH THE ROOM EXTENSION MECHANISM.

- Ⓔ AP48270 HYDRAULIC TUBE ASSY 75.5"
CAP END - MUST MAINTAIN EQUAL LENGTH
AND DIAMETER
- Ⓕ AP48355 HYDRAULIC TUBE ASSY 42"
ROD END - ALWAYS PRESSURIZED - MUST
MAINTAIN EQUAL LENGTH AND DIAMETER
- Ⓖ AP47601 HOSE ASSY 03 x 72"
CAP END - MUST MAINTAIN EQUAL
LENGTH AND DIAMETER



SIDE VIEW MANIFOLD-AP48097
MANIFOLD IS LOCATED NEXT
TO PUMP MANIFOLD ASSY.



LH AND RH LABELED AS
VIEWED FROM OUTSIDE
OF ROOM

AP40013 ROOM
UNIVERSAL LEVEL OUT
FUNCTION #2

FOR CONNECTION CLARITY ONLY
THE CYLINDERS ARE SHOWN

NOTE: LIFT SYNC MUST BE MOUNTED
WITH THE CAP END POINTING UP.

NOTE: INSTALLATION MUST CONFORM TO GOOD SHOP PRACTICES, SAE
STANDARDS, RVIA STANDARDS, AND OTHER APPLICABLE STANDARDS.

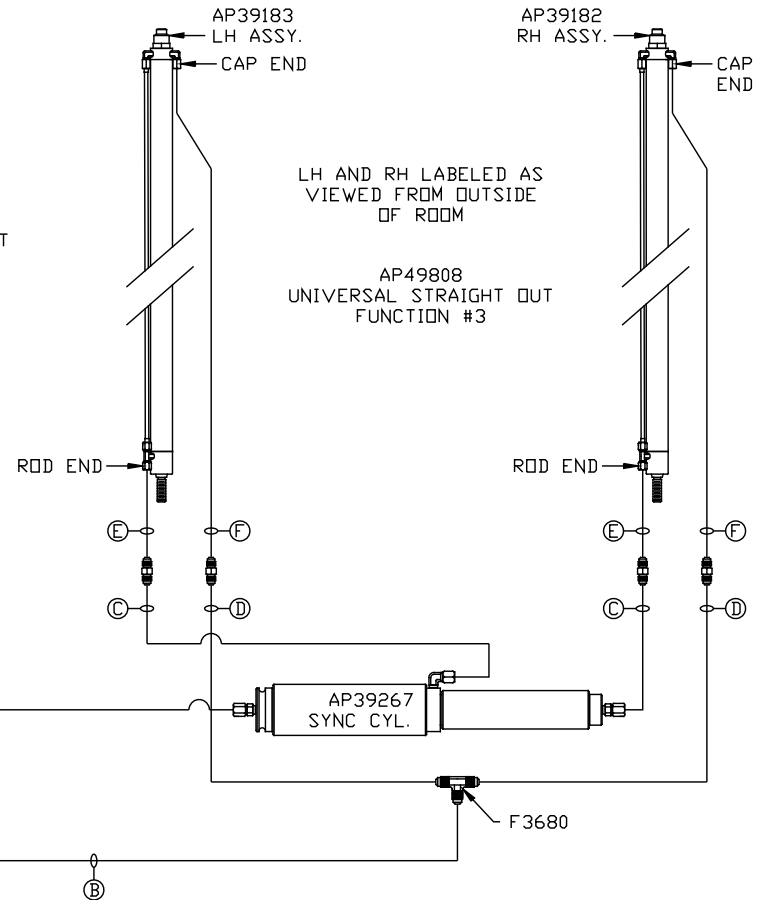
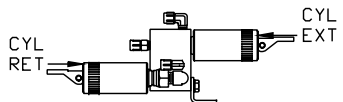
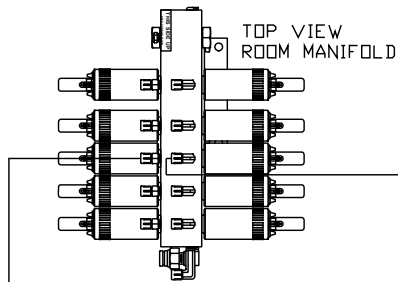
MP70532 D/G
16MAY12

AP50017 HOSE KIT USD / REAR

- Ⓐ AP5216 HOSE ASSY .25" x 312"
ROD END - ALWAYS PRESSURIZED
- Ⓑ AP5216 HOSE ASSY .25" x 312"
CAP END
- Ⓒ AP47601 HOSE ASSY 03 x 72"
ROD END - ALWAYS PRESSURIZED - MUST
MAINTAIN EQUAL LENGTH AND DIAMETER
- Ⓓ AP4074 HOSE ASSY .25" x 108"
CAP END - MUST MAINTAIN EQUAL LENGTH
AND DIAMETER

NOTE: HOSES Ⓔ AND Ⓕ ARE INCLUDED
WITH THE ROOM EXTENSION MECHANISM

- Ⓔ AP24632 HOSE ASSY HWH02HP x 48"
CAP END - MUST MAINTAIN EQUAL
LENGTH AND DIAMETER
- Ⓕ AP24818 HOSE ASSY HWH02HP x 86"
ROD END - ALWAYS PRESSURIZED - MUST
MAINTAIN EQUAL LENGTH AND DIAMETER



NOTE: INSTALLATION MUST CONFORM TO GOOD SHOP PRACTICES, SAE
STANDARDS, RVIA STANDARDS, AND OTHER APPLICABLE STANDARDS.

MP70532 E/G
16MAY12

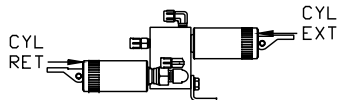
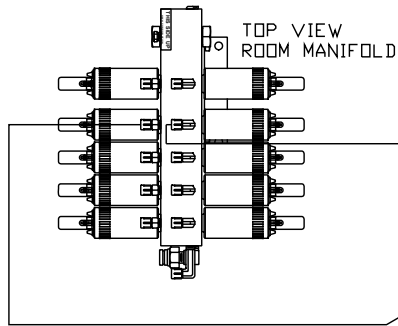
AP50015 HOSE KIT ULD / MIDDLE

*: PART OF THE ROOM
EXTENSION MECHANISM.

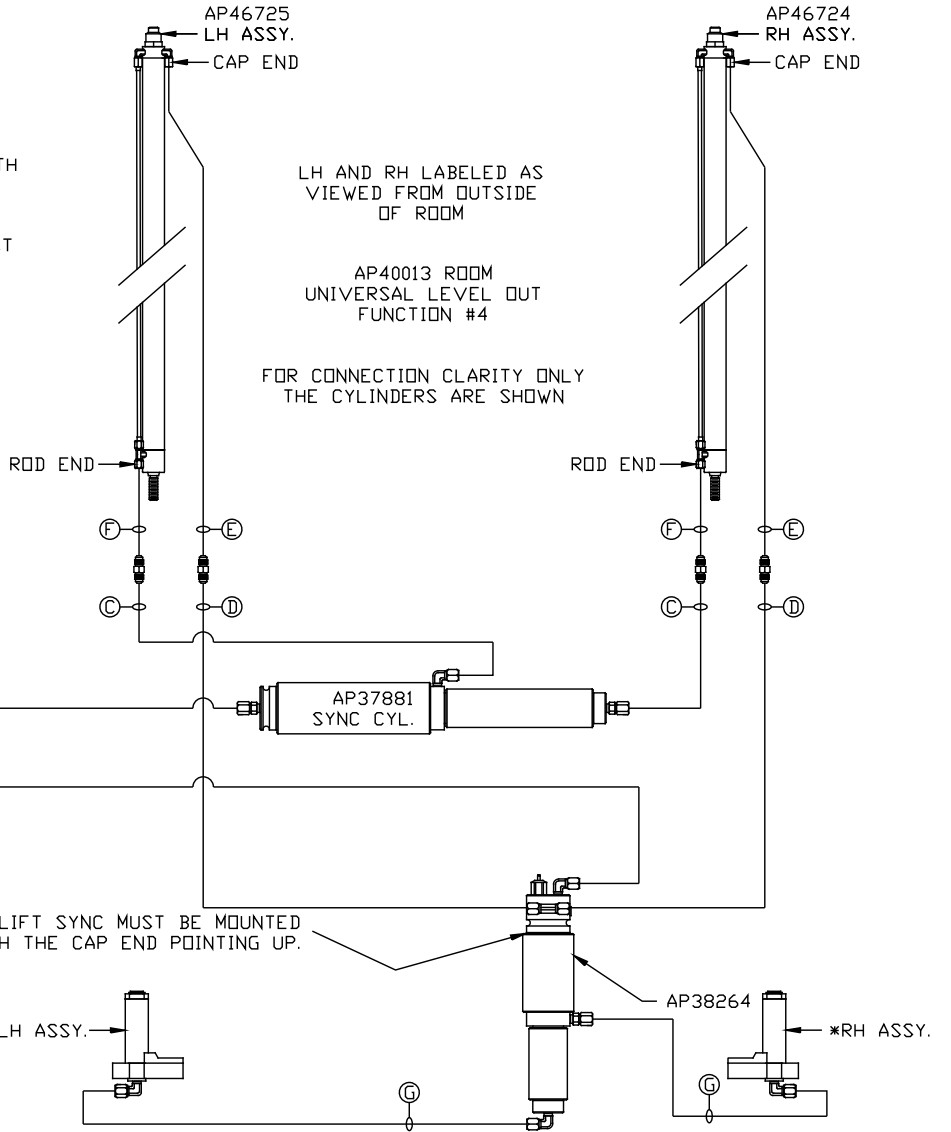
- Ⓐ AP4061 HOSE ASSY .25" x 216"
ROD END - ALWAYS PRESSURIZED
- Ⓑ AP4061 HOSE ASSY .25" x 216"
CAP END
- Ⓒ AP49244 HOSE ASSY 03 x 108"
ROD END - ALWAYS PRESSURIZED - MUST
MAINTAIN EQUAL LENGTH AND DIAMETER
- Ⓓ AP4074 HOSE ASSY .25" x 108"
CAP END - MUST MAINTAIN EQUAL LENGTH
AND DIAMETER

NOTE: ITEMS Ⓔ AND Ⓕ ARE INCLUDED
WITH THE ROOM EXTENSION MECHANISM.

- Ⓔ AP48270 HYDRAULIC TUBE ASSY 75.5"
CAP END - MUST MAINTAIN EQUAL LENGTH
AND DIAMETER
- Ⓕ AP48355 HYDRAULIC TUBE ASSY 42"
ROD END - ALWAYS PRESSURIZED - MUST
MAINTAIN EQUAL LENGTH AND DIAMETER
- Ⓖ AP47601 HOSE ASSY 03 x 72"
CAP END - MUST BE HOSES OF EQUAL
LENGTH AND DIAMETER



SIDE VIEW MANIFOLD-AP48097
MANIFOLD IS LOCATED NEXT
TO PUMP MANIFOLD ASSY.



NOTE: INSTALLATION MUST CONFORM TO GOOD SHOP PRACTICES, SAE
STANDARDS, RVIA STANDARDS, AND OTHER APPLICABLE STANDARDS.

MP70532 F/G
16MAY12

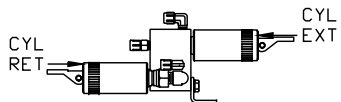
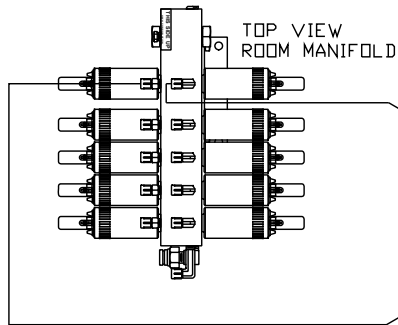
AP50014 HOSE KIT ULD / FRONT

*: PART OF THE ROOM
EXTENSION MECHANISM.

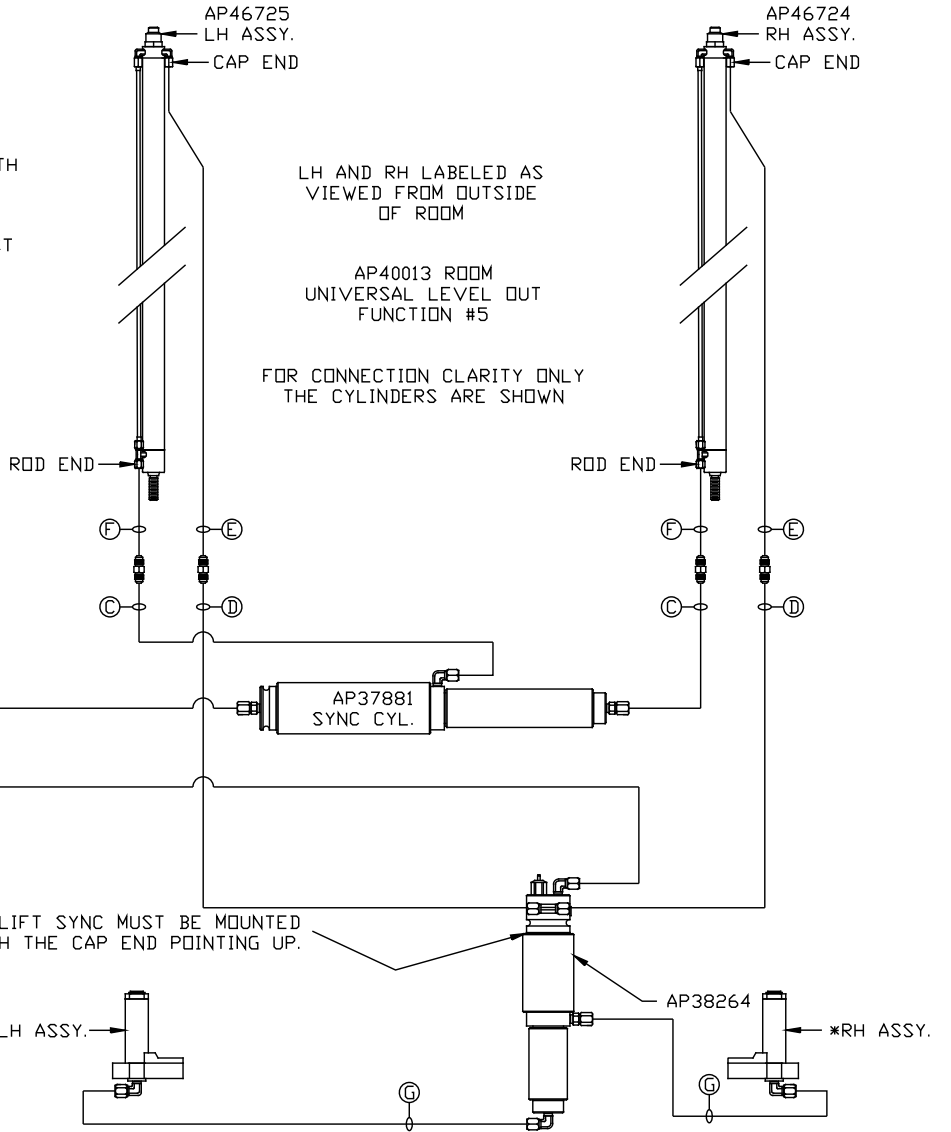
- Ⓐ AP5352 HOSE ASSY .25" x 96"
ROD END - ALWAYS PRESSURIZED
- Ⓑ AP5352 HOSE ASSY .25" x 96"
CAP END
- Ⓒ AP49244 HOSE ASSY 03 x 108"
ROD END - ALWAYS PRESSURIZED - MUST
MAINTAIN EQUAL LENGTH AND DIAMETER
- Ⓓ AP4074 HOSE ASSY .25" x 108"
CAP END - MUST MAINTAIN EQUAL LENGTH
AND DIAMETER

NOTE: ITEMS Ⓔ AND Ⓕ ARE INCLUDED
WITH THE ROOM EXTENSION MECHANISM.

- Ⓔ AP48270 HYDRAULIC TUBE ASSY 75.5"
CAP END - MUST MAINTAIN EQUAL LENGTH
AND DIAMETER
- Ⓕ AP48355 HYDRAULIC TUBE ASSY 42"
ROD END - ALWAYS PRESSURIZED - MUST
MAINTAIN EQUAL LENGTH AND DIAMETER
- Ⓖ AP47601 HOSE ASSY 03 x 72"
CAP END - MUST MAINTAIN EQUAL
LENGTH AND DIAMETER



SIDE VIEW MANIFOLD-AP48097
MANIFOLD IS LOCATED NEXT
TO PUMP MANIFOLD ASSY.



NOTE: INSTALLATION MUST CONFORM TO GOOD SHOP PRACTICES, SAE
STANDARDS, RVIA STANDARDS, AND OTHER APPLICABLE STANDARDS.

MP70532 G/G
16MAY12