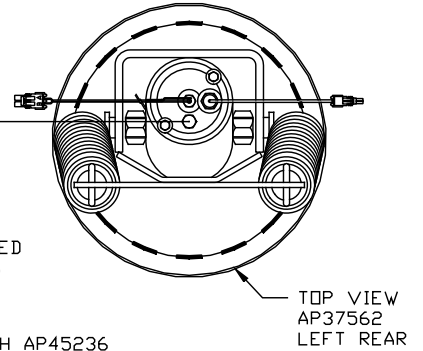
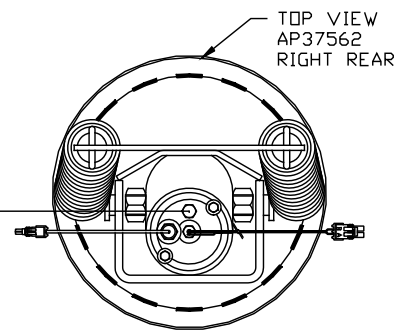
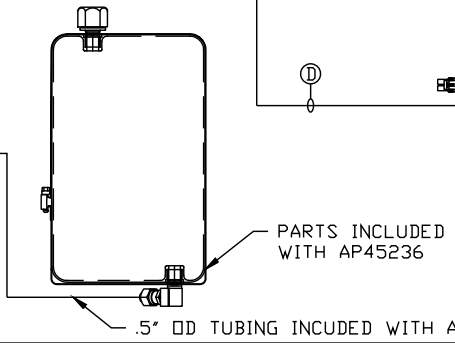
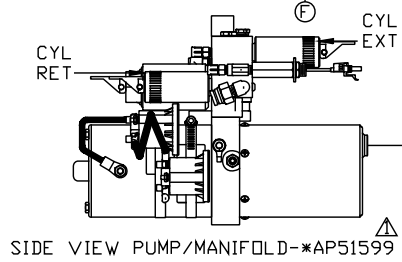
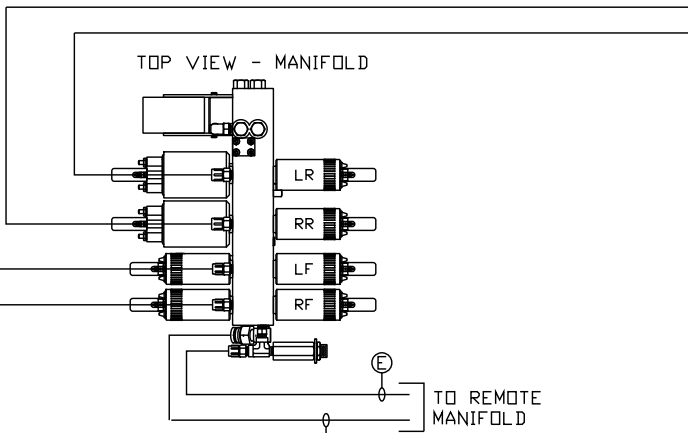
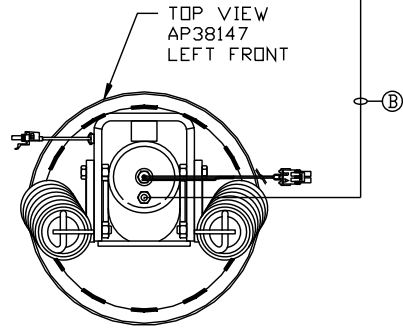
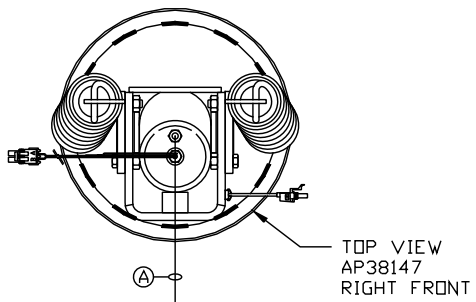


ORIENTATION  
← FRONT



- Ⓐ AP4827 HOSE ASSY .25" X 144"
- Ⓑ AP5965 HOSE ASSY .25" X 180"
- Ⓒ AP22313 HOSE ASSY .313" X 192"
- Ⓓ AP31034 HOSE ASSY .313" X 288"
- Ⓔ \*AP4060 HOSE ASSY .25 X 24"
- Ⓕ \*RETURN LINE .5" OD TUBING

NOTE: CROSS TIES REQUIRED FOR REAR JACKS

\*: PART OF AP51055 POWER/CONTROL

NOTE: INSTALLATION MUST CONFORM TO GOOD SHOP PRACTICES, SAE STANDARDS, RVIA STANDARDS, AND OTHER APPLICABLE STANDARDS.

LEVELING SYSTEM: AP51025

NO.	DATE	REVISION
Ⓐ	07MAY15	CORRECTED TYPO
Ⓐ	05MAR13	WAS AP48037
THE INFORMATION DISCLOSED ON THIS DRAWING IS CONFIDENTIAL AND MUST NOT BE DISCLOSED OR USED IN ANY MANNER WHICH WILL BE DETRIMENTAL TO THE HWH CORPORATION		

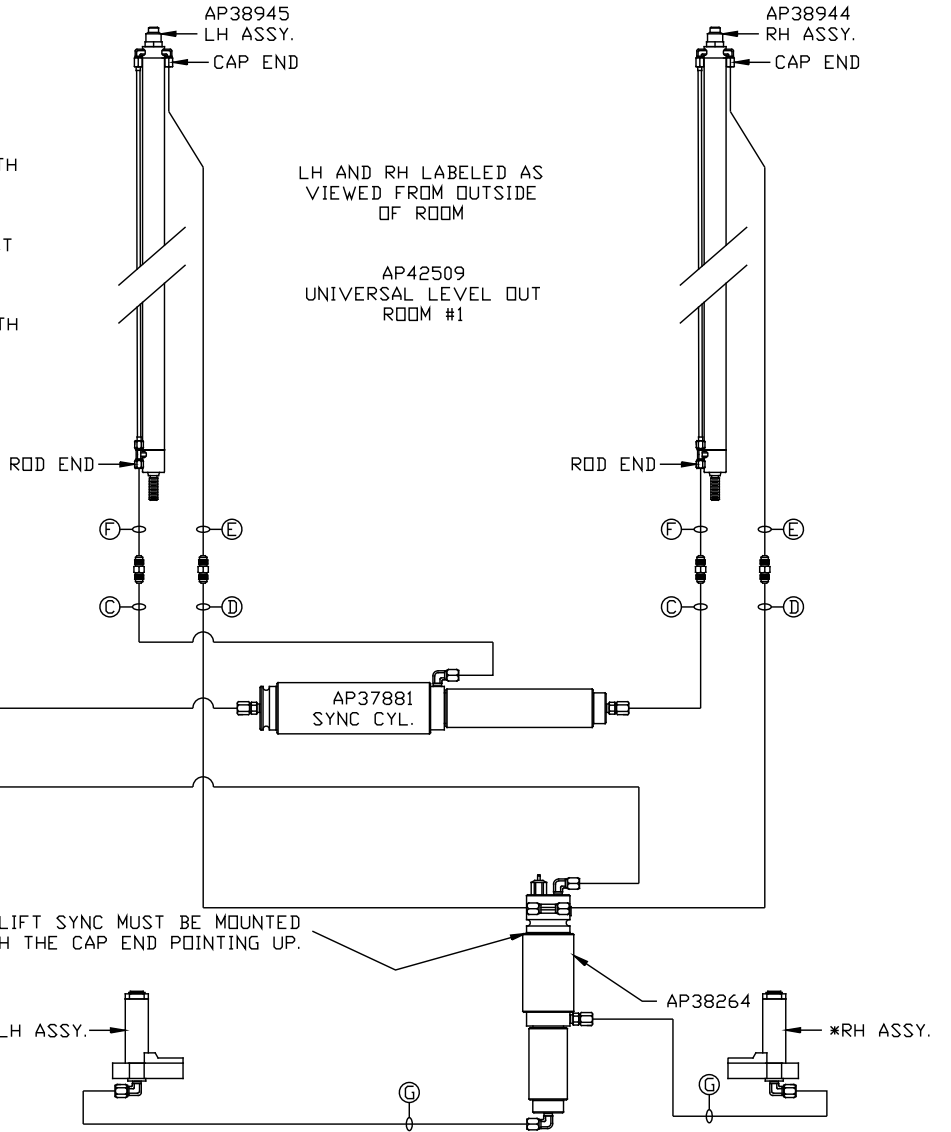
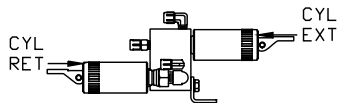
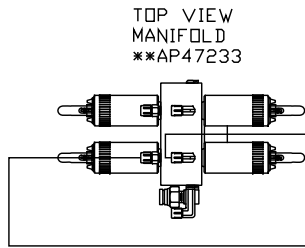
HWH		I-80 EXIT 267 SOUTH RT 1 MOSCOW, IOWA 52760	
SCALE 1:6	DATE 23JAN13	DRAWN BY .	
HYD CONN DIAGRAM			
SVI TRUCKS			DRAWING NUMBER MP70612 A/C

\*: PART OF THE ROOM  
EXTENSION MECHANISM.

- Ⓐ .25" ID HOSE  
ROD END - ALWAYS PRESSURIZED
- Ⓑ .25" ID HOSE  
CAP END
- Ⓒ .125" ID DR 03 HOSE  
ROD END - ALWAYS PRESSURIZED - MUST  
MAINTAIN EQUAL LENGTH AND DIAMETER
- Ⓓ .25" ID HOSE  
CAP END - MUST MAINTAIN EQUAL LENGTH  
AND DIAMETER

NOTE: ITEMS Ⓔ AND Ⓕ ARE INCLUDED  
WITH THE ROOM EXTENSION MECHANISM.

- Ⓔ AP24818 HOSE ASSY HWH02HP x 86"  
CAP END - MUST MAINTAIN EQUAL LENGTH  
AND DIAMETER
- Ⓕ AP24632 HOSE ASSY HWH02HP x 48"  
ROD END - ALWAYS PRESSURIZED - MUST  
MAINTAIN EQUAL LENGTH AND DIAMETER
- Ⓖ .125" ID DR 03 HOSE  
CAP END - MUST MAINTAIN EQUAL LENGTH  
AND DIAMETER



NOTE: INSTALLATION MUST CONFORM TO GOOD SHOP PRACTICES, SAE  
STANDARDS, RVIA STANDARDS, AND OTHER APPLICABLE STANDARDS.

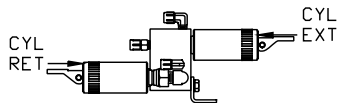
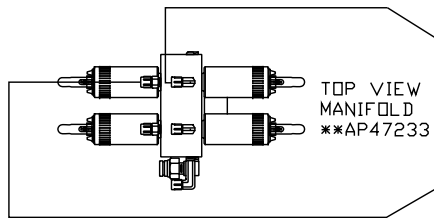
MP70612 B/C  
23JAN13

\*: PART OF THE ROOM  
EXTENSION MECHANISM.

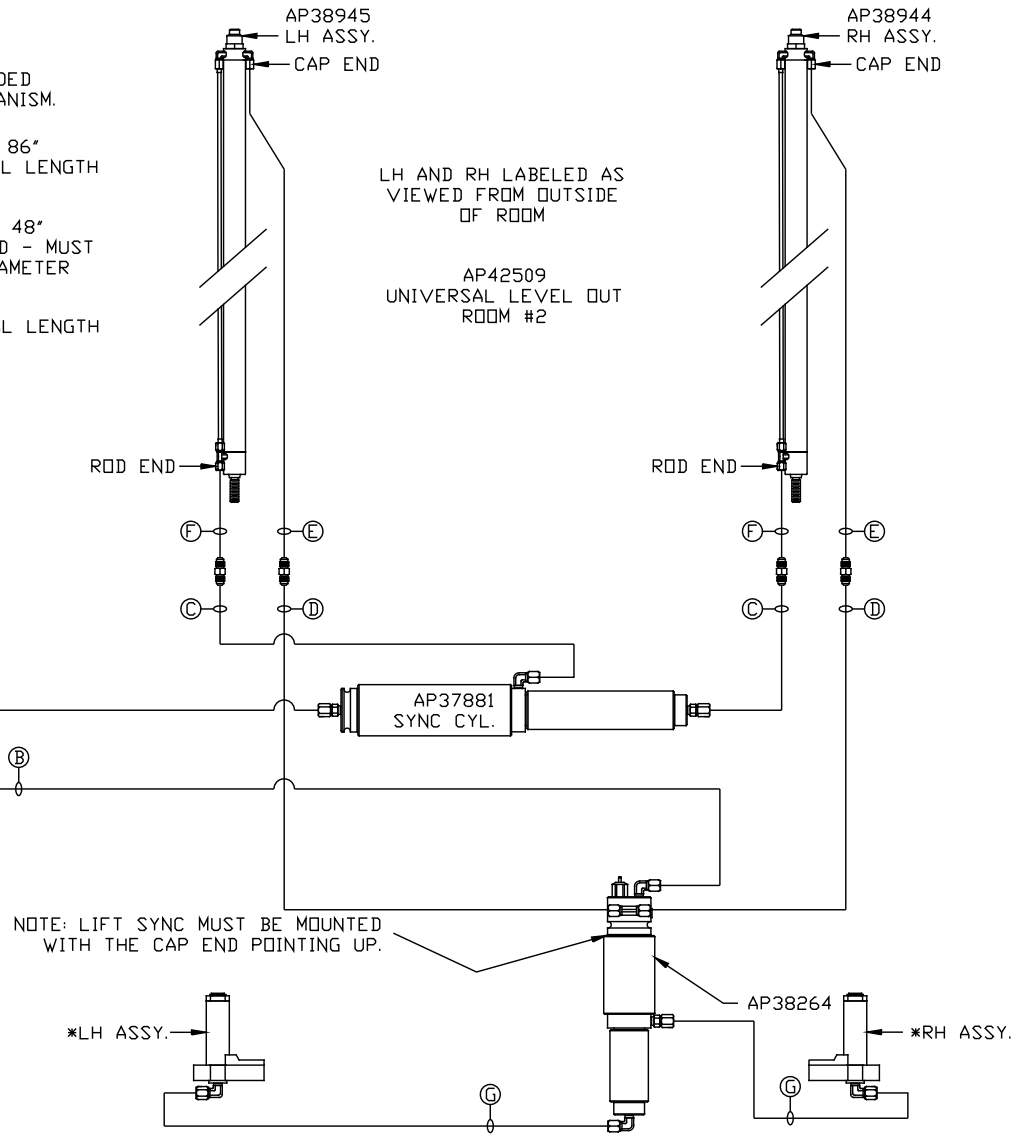
- Ⓐ .25" ID HOSE  
ROD END - ALWAYS PRESSURIZED
- Ⓑ .25" ID HOSE  
CAP END
- Ⓒ .125" ID DR 03 HOSE  
ROD END - ALWAYS PRESSURIZED - MUST  
MAINTAIN EQUAL LENGTH AND DIAMETER
- Ⓓ .25" ID HOSE  
CAP END - MUST MAINTAIN EQUAL LENGTH  
AND DIAMETER

NOTE: ITEMS Ⓔ AND Ⓕ ARE INCLUDED  
WITH THE ROOM EXTENSION MECHANISM.

- Ⓔ AP24818 HOSE ASSY HWH02HP x 86"  
CAP END - MUST MAINTAIN EQUAL LENGTH  
AND DIAMETER
- Ⓕ AP24632 HOSE ASSY HWH02HP x 48"  
ROD END - ALWAYS PRESSURIZED - MUST  
MAINTAIN EQUAL LENGTH AND DIAMETER
- Ⓖ .125" ID DR 03 HOSE  
CAP END - MUST MAINTAIN EQUAL LENGTH  
AND DIAMETER



\*\* PART OF AP51055 POWER/CONTROL



NOTE: INSTALLATION MUST CONFORM TO GOOD SHOP PRACTICES, SAE  
STANDARDS, RVIA STANDARDS, AND OTHER APPLICABLE STANDARDS.

MP70612 C/C  
23JAN13