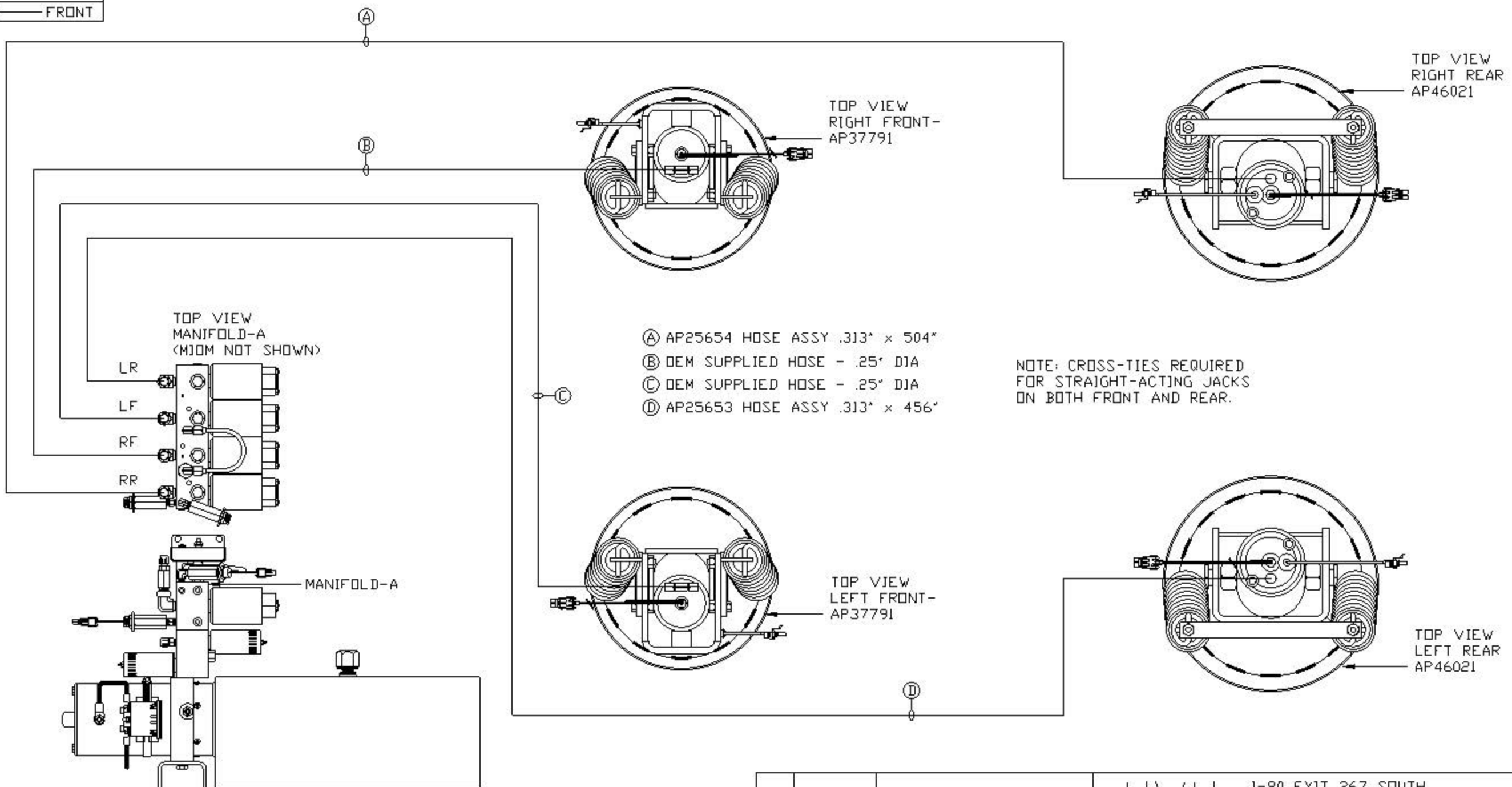


ORIENTATION  
← FRONT



SIDE VIEW PUMP/MANIFOLD-AP51185

LOCATION AND ORIENTATION OF PUMP/MANIFOLD ASSEMBLY WILL DIFFER DEPENDING UPON D.E.M.

HWH			1-80 EXIT 267 SOUTH RT 1 MOSCOW, IOWA 52760	
SCALE 1:6	DATE 06FEB13	DRAWN BY		
1	16DEC15	ADD AP53344 LEVELING SYS.		
NO.	DATE	REVISION		

HYD CONN DIAGRAM

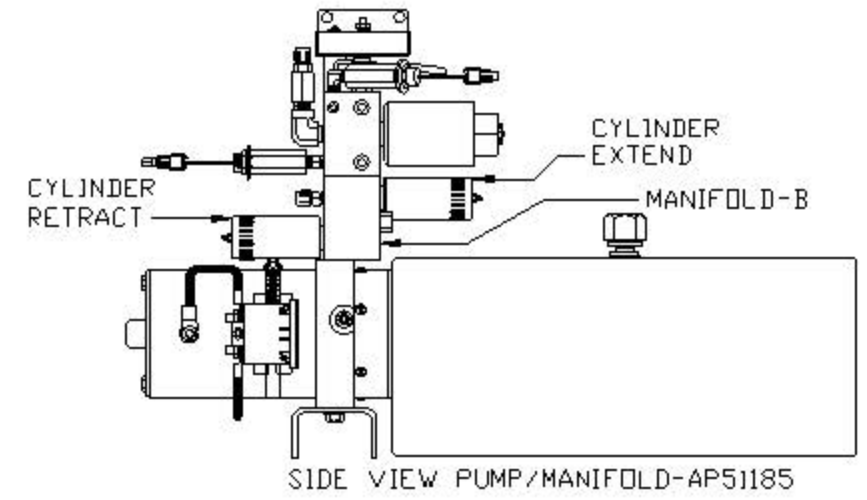
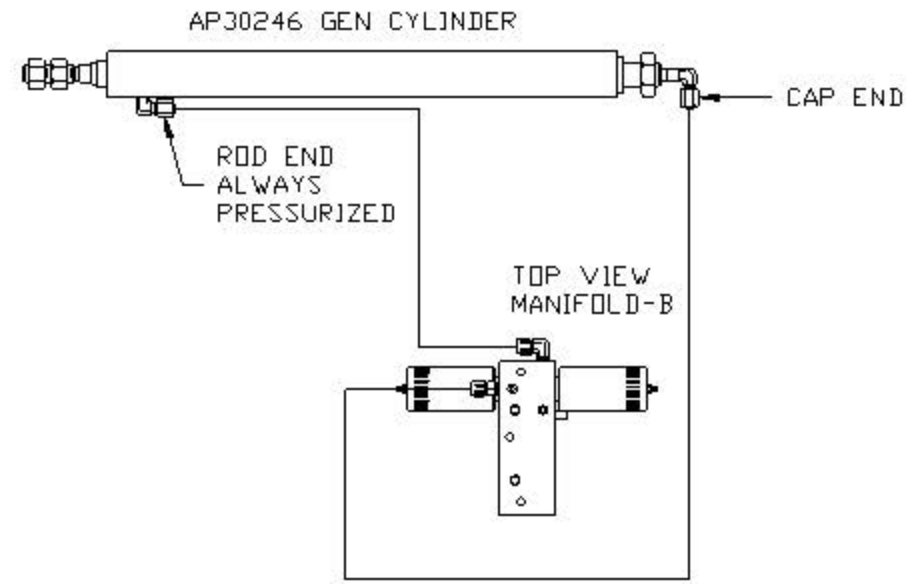
NEWMAR

DRAWING NUMBER  
MP70614 A/B

NOTE: INSTALLATION MUST CONFORM TO GOOD SHOP PRACTICES, SAE STANDARDS, RVIA STANDARDS, AND OTHER APPLICABLE STANDARDS.

LEVELING SYSTEM: AP51176  
LEVELING SYSTEM: AP53344

THE INFORMATION DISCLOSED ON THIS DRAWING IS CONFIDENTIAL AND MUST NOT BE DISCLOSED OR USED IN ANY MANNER WHICH WILL BE DETRIMENTAL TO THE HWH CORPORATION



LOCATION AND ORIENTATION OF PUMP/MANIFOLD ASSEMBLY WILL DIFFER DEPENDING UPON O.E.M.