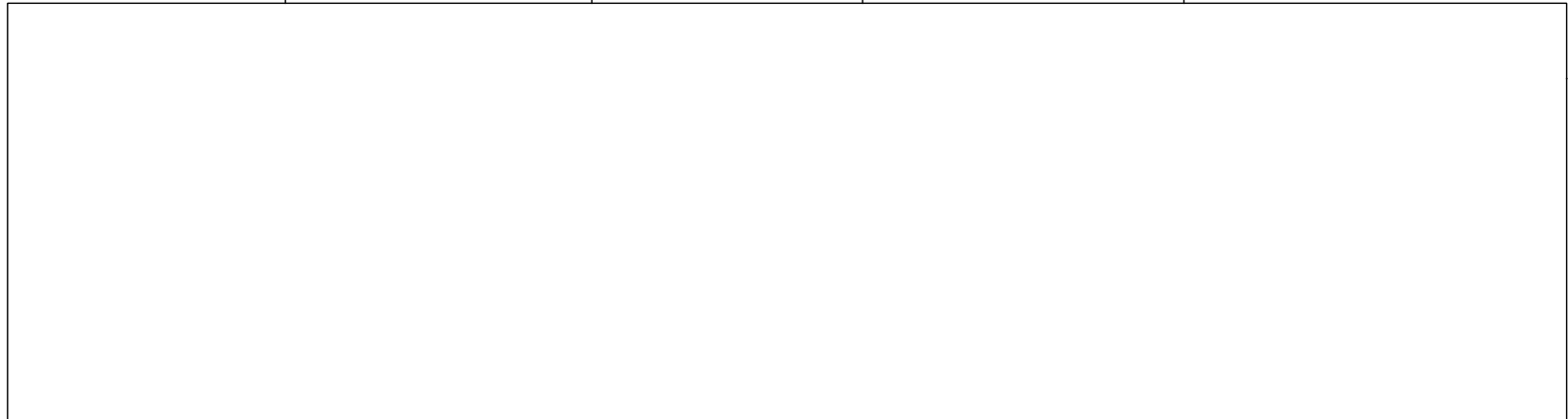


ORIENTATION
 ← FRONT

AP40013
 UNIVERSAL LEVEL OUT
 FUNCTION 4
 "B" FUNCTION

AP40013
 UNIVERSAL LEVEL OUT
 FUNCTION 3
 "B" FUNCTION



AP40013
 UNIVERSAL LEVEL OUT
 FUNCTION 1
 "B" FUNCTION

AP51161
 UNIVERSAL STRAIGHT OUT
 FUNCTION 2
 "B" FUNCTION

NO.	DATE	REVISION

HWH I-80 EXIT 267 SOUTH
 RT 1 MOSCOW, IOWA 52760
 SCALE 1:6 DATE 21AUG13 DRAWN BY .

HYD CONN DIAGRAM

NOTE: INSTALLATION MUST CONFORM TO GOOD SHOP PRACTICES, SAE STANDARDS, RVIA STANDARDS, AND OTHER APPLICABLE STANDARDS.

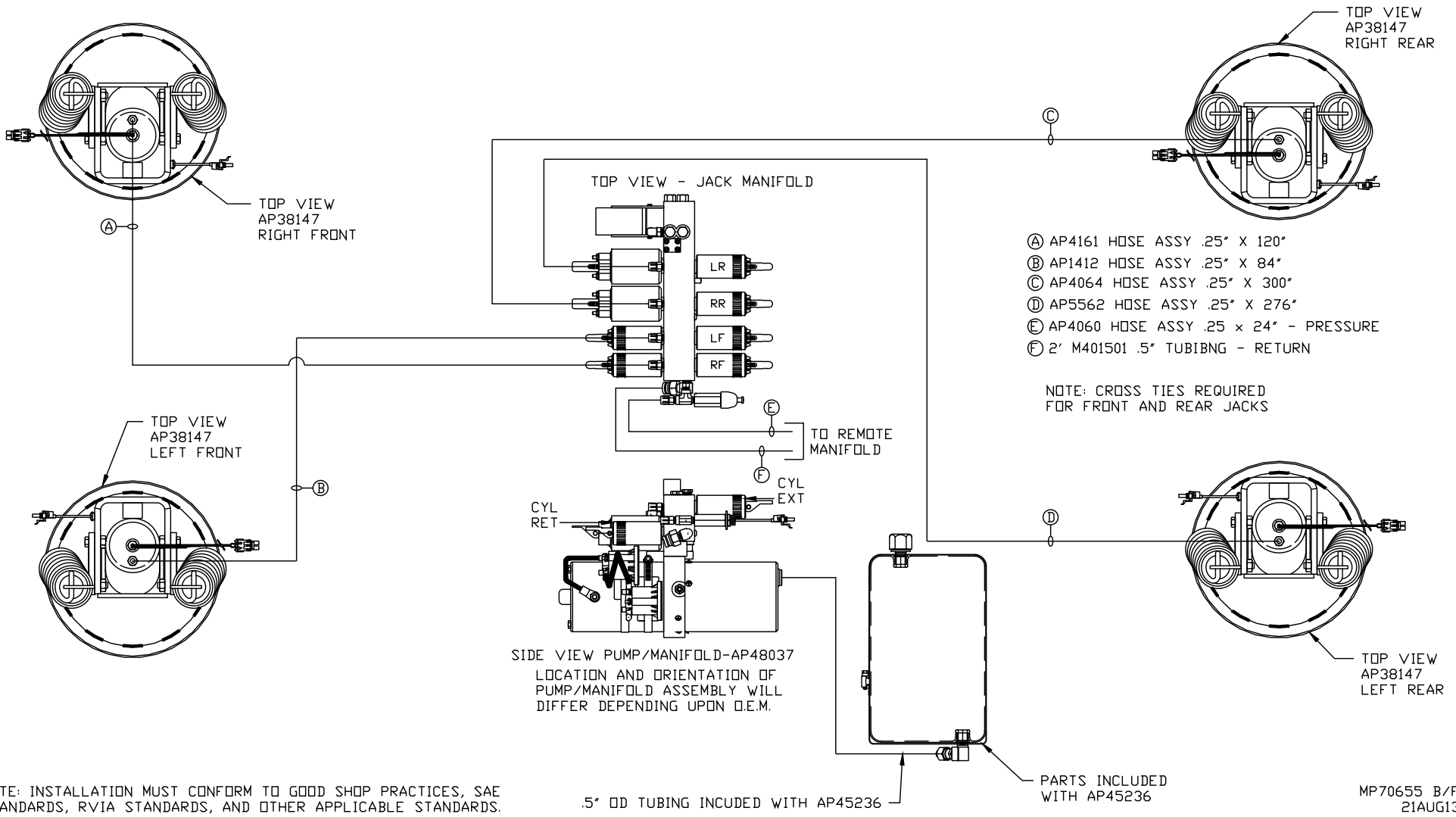
LEVELING SYSTEM: AP51162

THE INFORMATION DISCLOSED ON THIS DRAWING IS CONFIDENTIAL AND MUST NOT BE DISCLOSED OR USED IN ANY MANNER WHICH WILL BE DETRIMENTAL TO THE HWH CORPORATION

LIFELINE

DRAWING NUMBER
 MP70655 A/F

ORIENTATION
 ← FRONT



NOTE: INSTALLATION MUST CONFORM TO GOOD SHOP PRACTICES, SAE STANDARDS, RVIA STANDARDS, AND OTHER APPLICABLE STANDARDS.

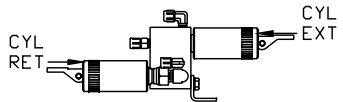
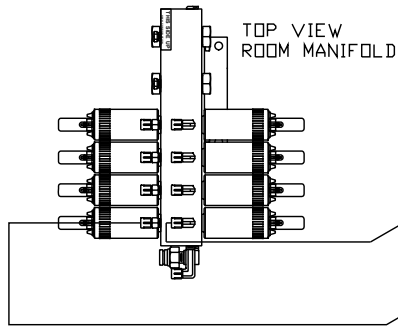
MP70655 B/F
 21AUG13

*: PART OF THE ROOM
EXTENSION MECHANISM.

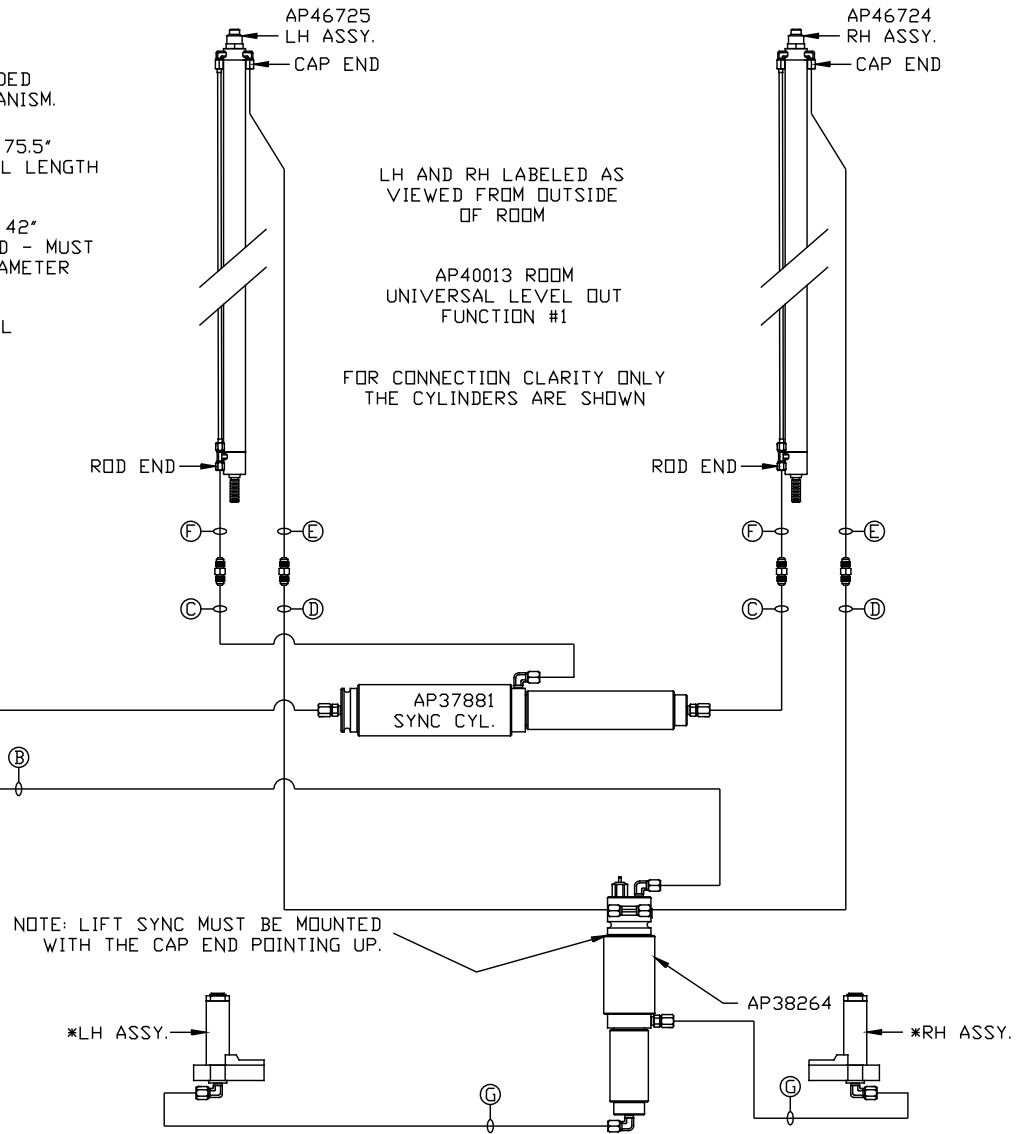
- Ⓐ HOSE ASSY .25"
ROD END - ALWAYS PRESSURIZED
- Ⓑ HOSE ASSY .25"
CAP END
- Ⓒ HOSE ASSY 03
ROD END - ALWAYS PRESSURIZED - MUST
MAINTAIN EQUAL LENGTH AND DIAMETER
- Ⓓ HOSE ASSY .25"
CAP END - MUST MAINTAIN EQUAL LENGTH
AND DIAMETER

NOTE: ITEMS Ⓔ AND Ⓕ ARE INCLUDED
WITH THE ROOM EXTENSION MECHANISM.

- Ⓔ AP48270 HYDRAULIC TUBE ASSY 75.5"
CAP END - MUST MAINTAIN EQUAL LENGTH
AND DIAMETER
- Ⓕ AP48355 HYDRAULIC TUBE ASSY 42"
ROD END - ALWAYS PRESSURIZED - MUST
MAINTAIN EQUAL LENGTH AND DIAMETER
- Ⓖ HOSE ASSY 03
CAP END - MUST MAINTAIN EQUAL
LENGTH AND DIAMETER



SIDE VIEW MANIFOLD-AP46854
MANIFOLD IS LOCATED NEXT
TO PUMP MANIFOLD ASSY.

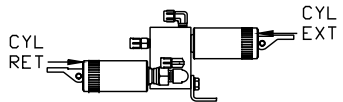
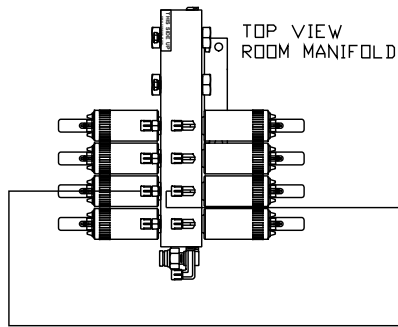


NOTE: INSTALLATION MUST CONFORM TO GOOD SHOP PRACTICES, SAE
STANDARDS, RVIA STANDARDS, AND OTHER APPLICABLE STANDARDS.

MP70655 C/F
21AUG13

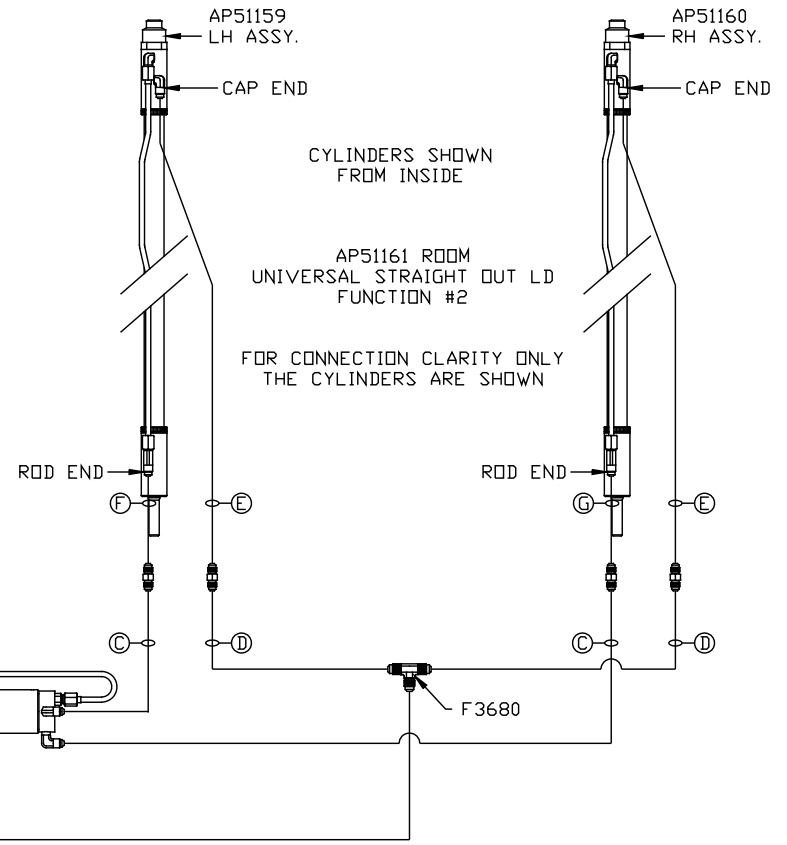
- Ⓐ HOSE ASSY .25"
ROD END - ALWAYS PRESSURIZED
- Ⓑ HOSE ASSY .25"
CAP END
- Ⓒ HOSE ASSY 03
ROD END - ALWAYS PRESSURIZED - MUST
MAINTAIN EQUAL LENGTH AND DIAMETER
- Ⓓ HOSE ASSY .25"
CAP END - MUST MAINTAIN EQUAL LENGTH
AND DIAMETER

- NOTE: ITEMS Ⓔ AND Ⓕ ARE INCLUDED
WITH THE ROOM EXTENSION MECHANISM.
- Ⓔ AP48548 HYDRAULIC TUBE ASSY 57.2"
CAP END - MUST MAINTAIN EQUAL LENGTH
AND DIAMETER
 - Ⓕ AP48547 HYDRAULIC TUBE ASSY 32.25"
ROD END - ALWAYS PRESSURIZED - MUST
MAINTAIN EQUAL LENGTH AND DIAMETER



SIDE VIEW MANIFOLD-AP46854
MANIFOLD IS LOCATED NEXT
TO PUMP MANIFOLD ASSY.

NOTE: INSTALLATION MUST CONFORM TO GOOD SHOP PRACTICES, SAE
STANDARDS, RVIA STANDARDS, AND OTHER APPLICABLE STANDARDS.



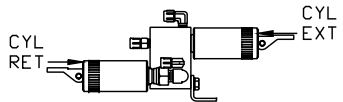
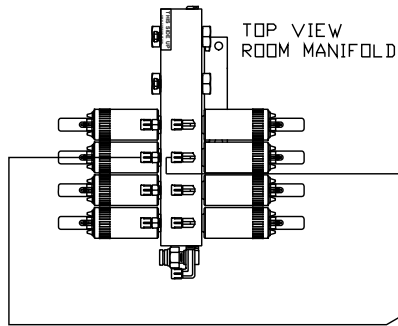
MP70655 D/F
21AUG13

*: PART OF THE ROOM
EXTENSION MECHANISM.

- Ⓐ HOSE ASSY .25"
ROD END - ALWAYS PRESSURIZED
- Ⓑ HOSE ASSY .25"
CAP END
- Ⓒ HOSE ASSY 03
ROD END - ALWAYS PRESSURIZED - MUST
MAINTAIN EQUAL LENGTH AND DIAMETER
- Ⓓ HOSE ASSY .25"
CAP END - MUST MAINTAIN EQUAL LENGTH
AND DIAMETER

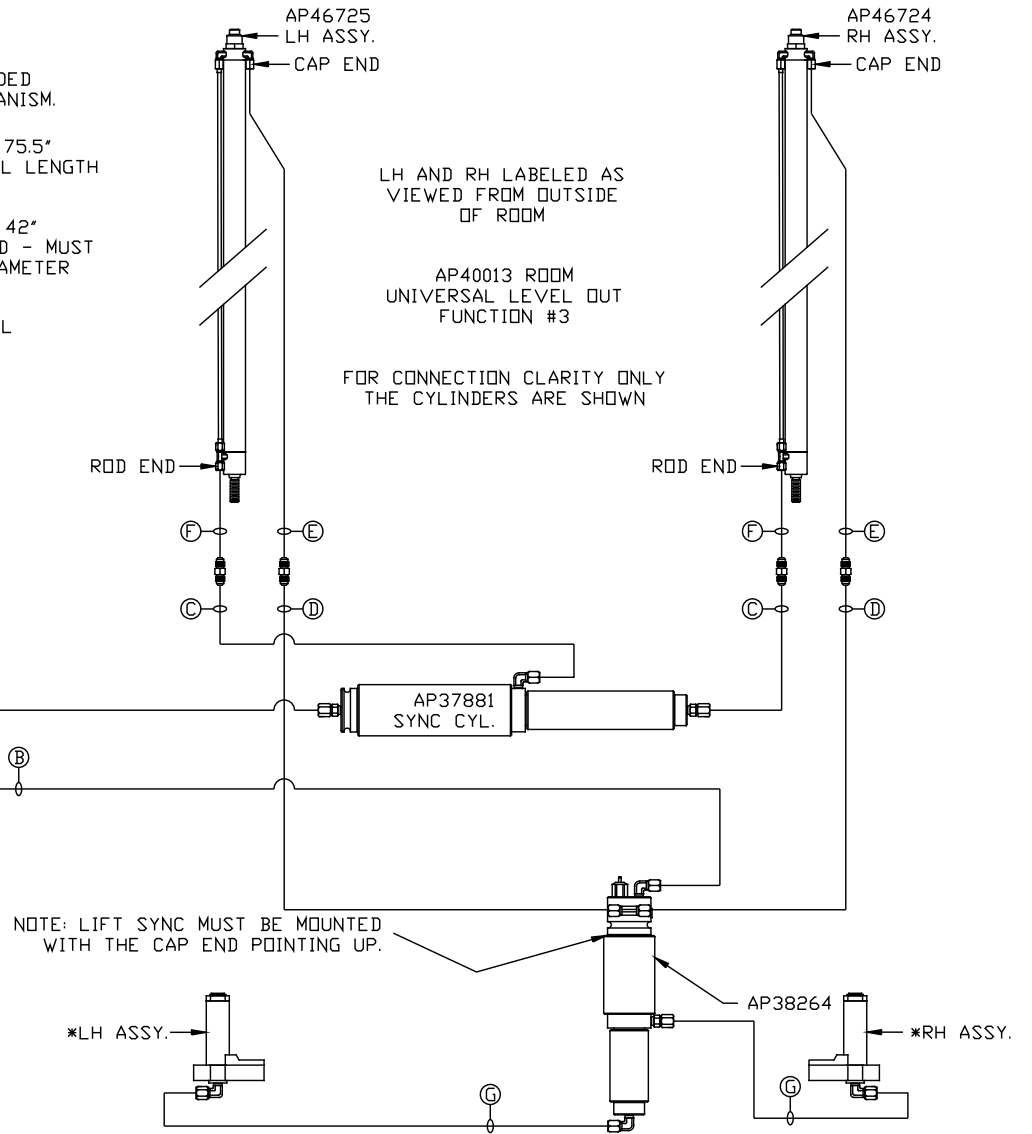
NOTE: ITEMS Ⓔ AND Ⓕ ARE INCLUDED
WITH THE ROOM EXTENSION MECHANISM.

- Ⓔ AP48270 HYDRAULIC TUBE ASSY 75.5"
CAP END - MUST MAINTAIN EQUAL LENGTH
AND DIAMETER
- Ⓕ AP48355 HYDRAULIC TUBE ASSY 42"
ROD END - ALWAYS PRESSURIZED - MUST
MAINTAIN EQUAL LENGTH AND DIAMETER
- Ⓖ HOSE ASSY 03
CAP END - MUST MAINTAIN EQUAL
LENGTH AND DIAMETER



SIDE VIEW MANIFOLD-AP46854
MANIFOLD IS LOCATED NEXT
TO PUMP MANIFOLD ASSY.

NOTE: INSTALLATION MUST CONFORM TO GOOD SHOP PRACTICES, SAE
STANDARDS, RVIA STANDARDS, AND OTHER APPLICABLE STANDARDS.



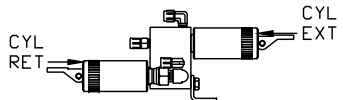
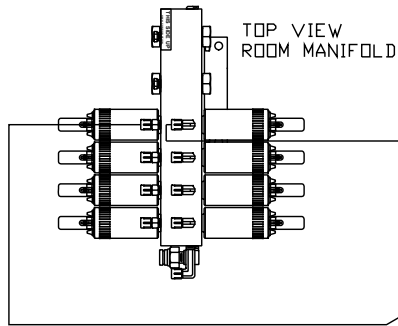
MP70655 E/F
21AUG13

*: PART OF THE ROOM
EXTENSION MECHANISM.

- Ⓐ HOSE ASSY .25"
ROD END - ALWAYS PRESSURIZED
- Ⓑ HOSE ASSY .25"
CAP END
- Ⓒ HOSE ASSY 03
ROD END - ALWAYS PRESSURIZED - MUST
MAINTAIN EQUAL LENGTH AND DIAMETER
- Ⓓ HOSE ASSY .25"
CAP END - MUST MAINTAIN EQUAL LENGTH
AND DIAMETER

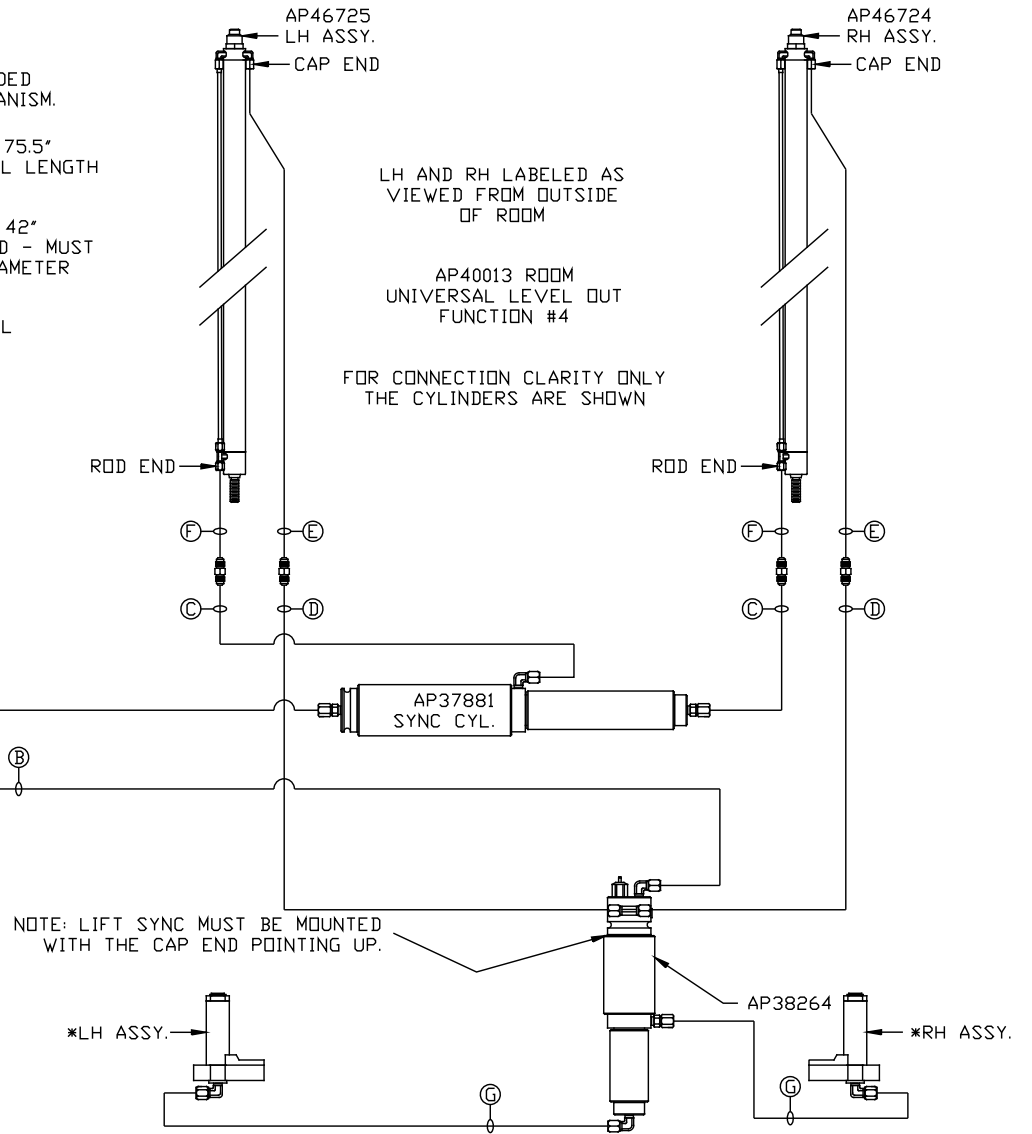
NOTE: ITEMS Ⓔ AND Ⓕ ARE INCLUDED
WITH THE ROOM EXTENSION MECHANISM.

- Ⓔ AP48270 HYDRAULIC TUBE ASSY 75.5"
CAP END - MUST MAINTAIN EQUAL LENGTH
AND DIAMETER
- Ⓕ AP48355 HYDRAULIC TUBE ASSY 42"
ROD END - ALWAYS PRESSURIZED - MUST
MAINTAIN EQUAL LENGTH AND DIAMETER
- Ⓖ HOSE ASSY 03
CAP END - MUST MAINTAIN EQUAL
LENGTH AND DIAMETER



SIDE VIEW MANIFOLD-AP46854
MANIFOLD IS LOCATED NEXT
TO PUMP MANIFOLD ASSY.

NOTE: INSTALLATION MUST CONFORM TO GOOD SHOP PRACTICES, SAE
STANDARDS, RVIA STANDARDS, AND OTHER APPLICABLE STANDARDS.



MP70655 F/F
21AUG13