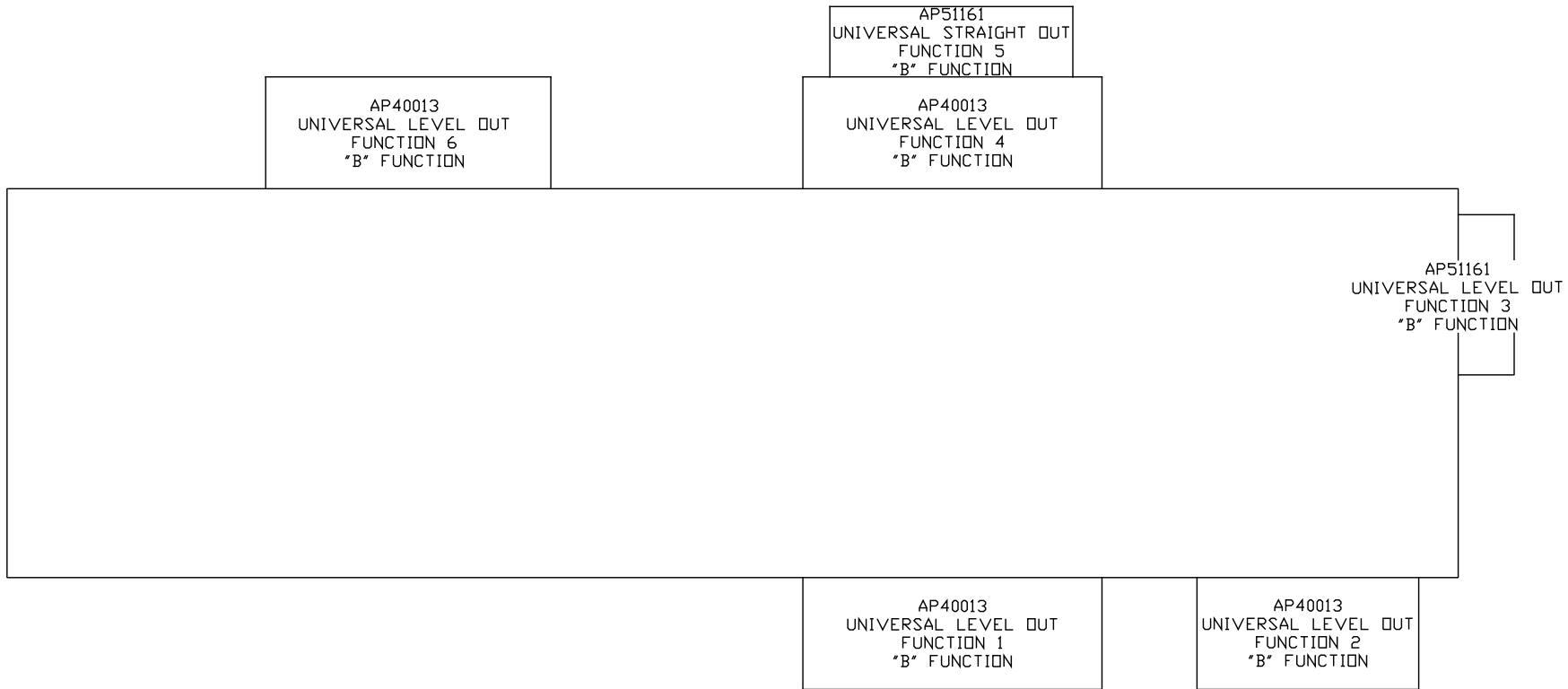


ORIENTATION
 ← FRONT

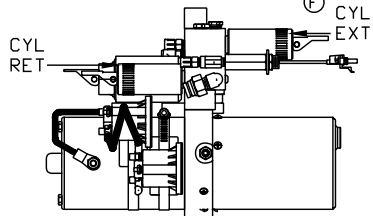
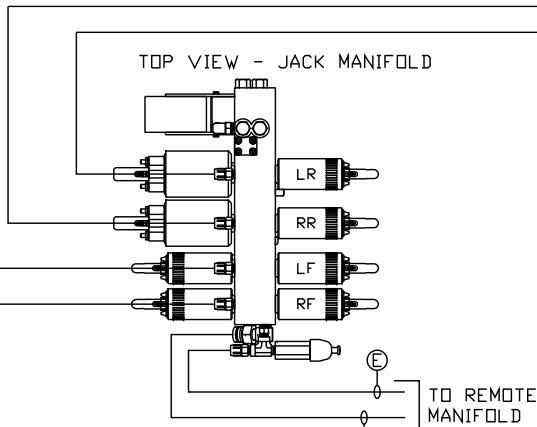
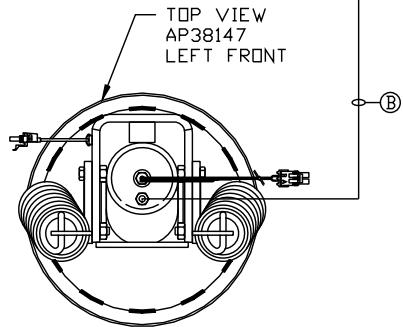
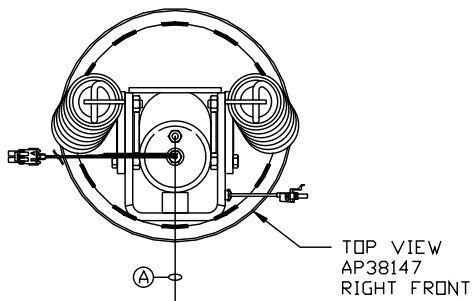


NOTE: INSTALLATION MUST CONFORM TO GOOD SHOP PRACTICES, SAE STANDARDS, RVIA STANDARDS, AND OTHER APPLICABLE STANDARDS.

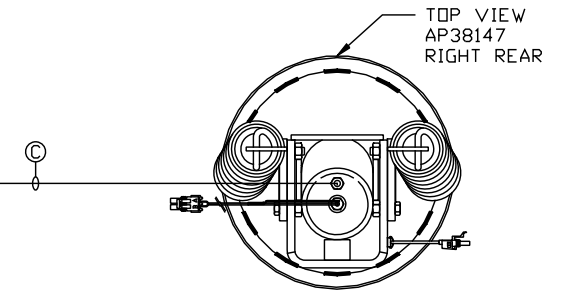
LEVELING SYSTEM: AP51594

		HWH I-80 EXIT 267 SOUTH RT 1 MOSCOW, IOWA 52760		
		SCALE 1:6	DATE 27NOV13	DRAWN BY .
		HYD CONN DIAGRAM		
NO.	DATE	REVISION		LIFELINE
THE INFORMATION DISCLOSED ON THIS DRAWING IS CONFIDENTIAL AND MUST NOT BE DISCLOSED OR USED IN ANY MANNER WHICH WILL BE DETRIMENTAL TO THE HWH CORPORATION			DRAWING NUMBER MP70682 A/H	

ORIENTATION
 ← FRONT

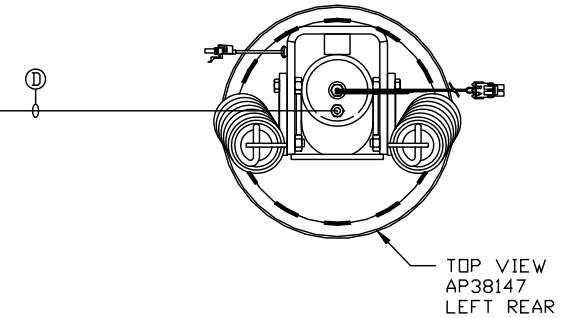


SIDE VIEW PUMP/MANIFOLD-AP48037
 LOCATION AND ORIENTATION OF
 PUMP/MANIFOLD ASSEMBLY WILL
 DIFFER DEPENDING UPON O.E.M.



- Ⓐ AP4161 HOSE ASSY .25" X 120"
- Ⓑ AP1412 HOSE ASSY .25" X 84"
- Ⓒ AP4064 HOSE ASSY .25" X 300"
- Ⓓ AP5562 HOSE ASSY .25" X 276"
- Ⓔ AP4060 HOSE ASSY .25" X 24"
- Ⓕ RETURN LINE .5 ID

NOTE: CROSS TIES REQUIRED
 FOR REAR JACKS



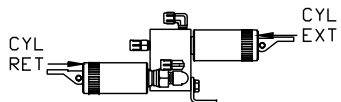
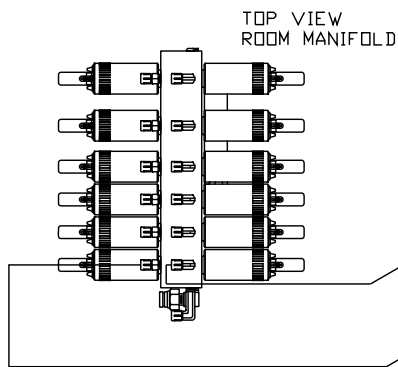
NOTE: INSTALLATION MUST CONFORM TO GOOD SHOP PRACTICES, SAE STANDARDS, RVIA STANDARDS, AND OTHER APPLICABLE STANDARDS.

MP70682 B/H
 27NOV13

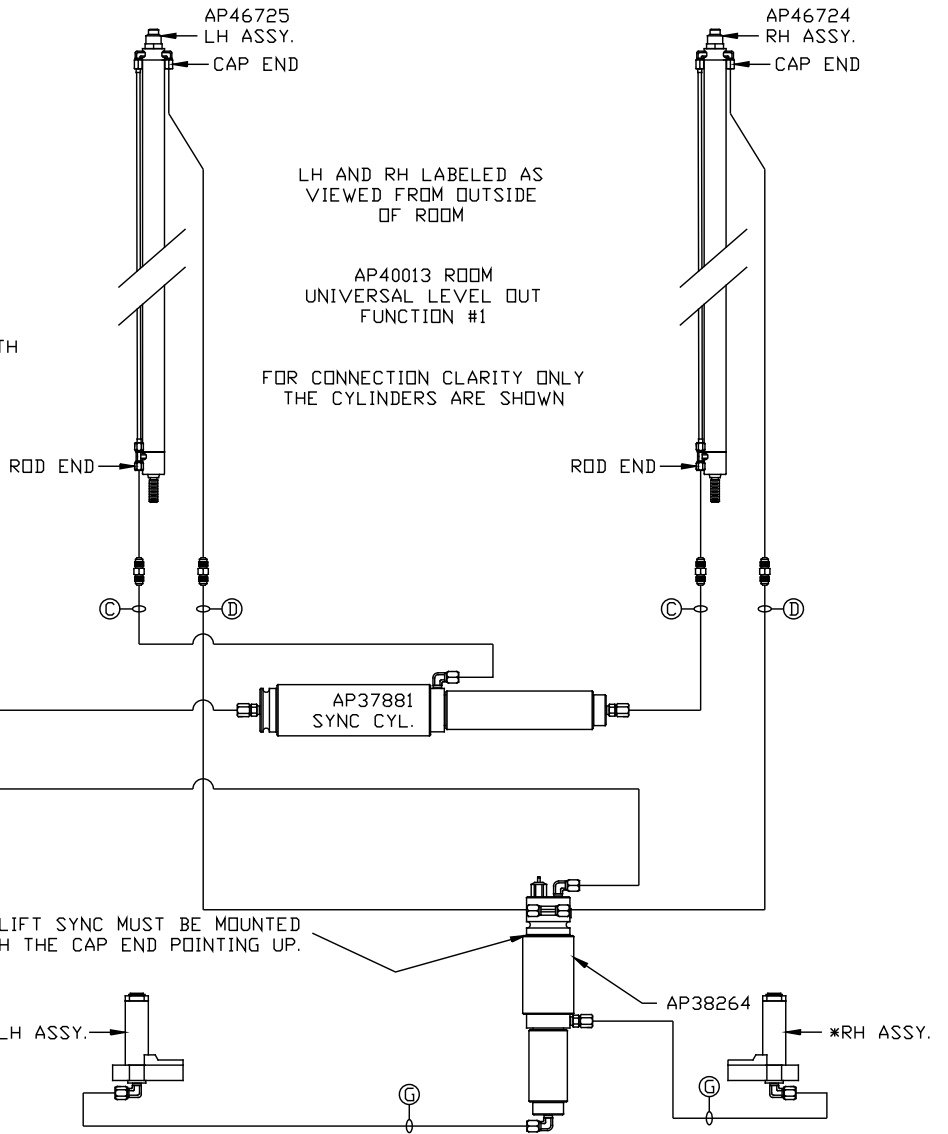
*: PART OF THE ROOM
EXTENSION MECHANISM.

- Ⓐ .25" ID HOSE
ROD END - ALWAYS PRESSURIZED
- Ⓑ .25" ID HOSE
CAP END
- Ⓒ .03 HOSE
ROD END - ALWAYS PRESSURIZED - MUST
MAINTAIN EQUAL LENGTH AND DIAMETER
- Ⓓ .25" ID HOSE
CAP END - MUST MAINTAIN EQUAL LENGTH
AND DIAMETER

- Ⓒ .03 HOSE
CAP END - MUST MAINTAIN EQUAL LENGTH
AND DIAMETER



SIDE VIEW MANIFOLD-AP50588
MANIFOLD IS LOCATED NEXT
TO PUMP MANIFOLD ASSY.



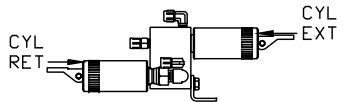
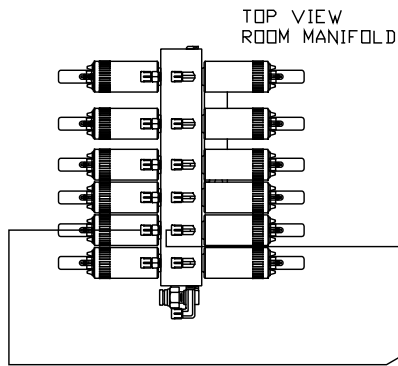
NOTE: INSTALLATION MUST CONFORM TO GOOD SHOP PRACTICES, SAE
STANDARDS, RVIA STANDARDS, AND OTHER APPLICABLE STANDARDS.

MP70682 C/H
27NOV13

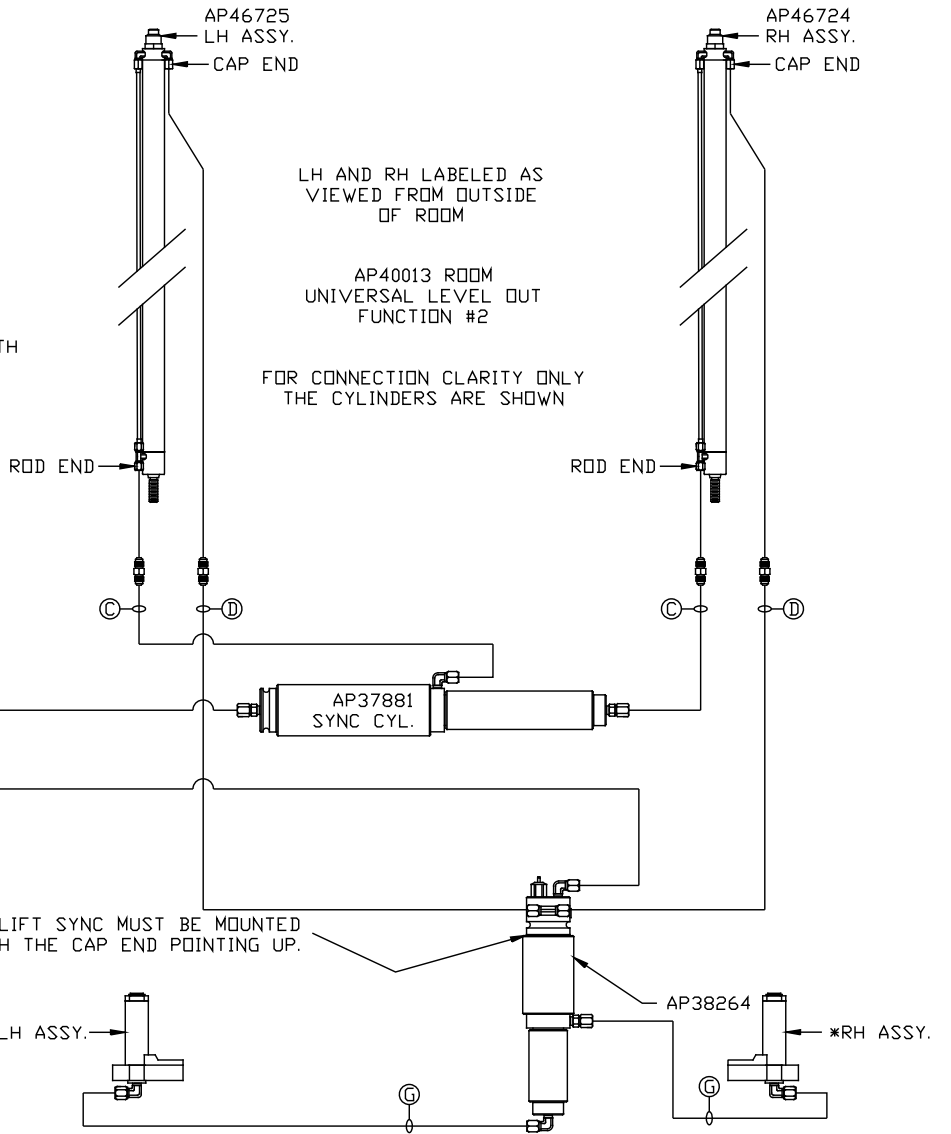
*: PART OF THE ROOM
EXTENSION MECHANISM.

- Ⓐ .25" ID HOSE
ROD END - ALWAYS PRESSURIZED
- Ⓑ .25" ID HOSE
CAP END
- Ⓒ 03 HOSE
ROD END - ALWAYS PRESSURIZED - MUST
MAINTAIN EQUAL LENGTH AND DIAMETER
- Ⓓ .25" ID HOSE
CAP END - MUST MAINTAIN EQUAL LENGTH
AND DIAMETER

- Ⓒ 03 HOSE
CAP END - MUST MAINTAIN EQUAL LENGTH
AND DIAMETER



SIDE VIEW MANIFOLD-AP50588
MANIFOLD IS LOCATED NEXT
TO PUMP MANIFOLD ASSY.

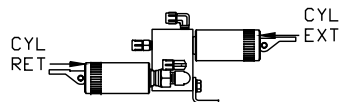
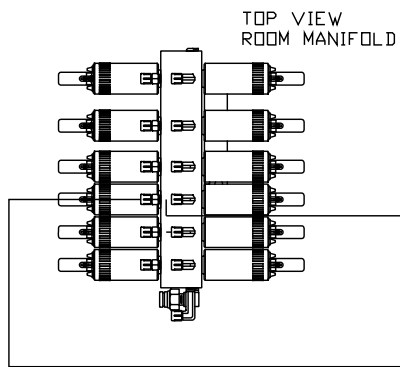


NOTE: INSTALLATION MUST CONFORM TO GOOD SHOP PRACTICES, SAE
STANDARDS, RVIA STANDARDS, AND OTHER APPLICABLE STANDARDS.

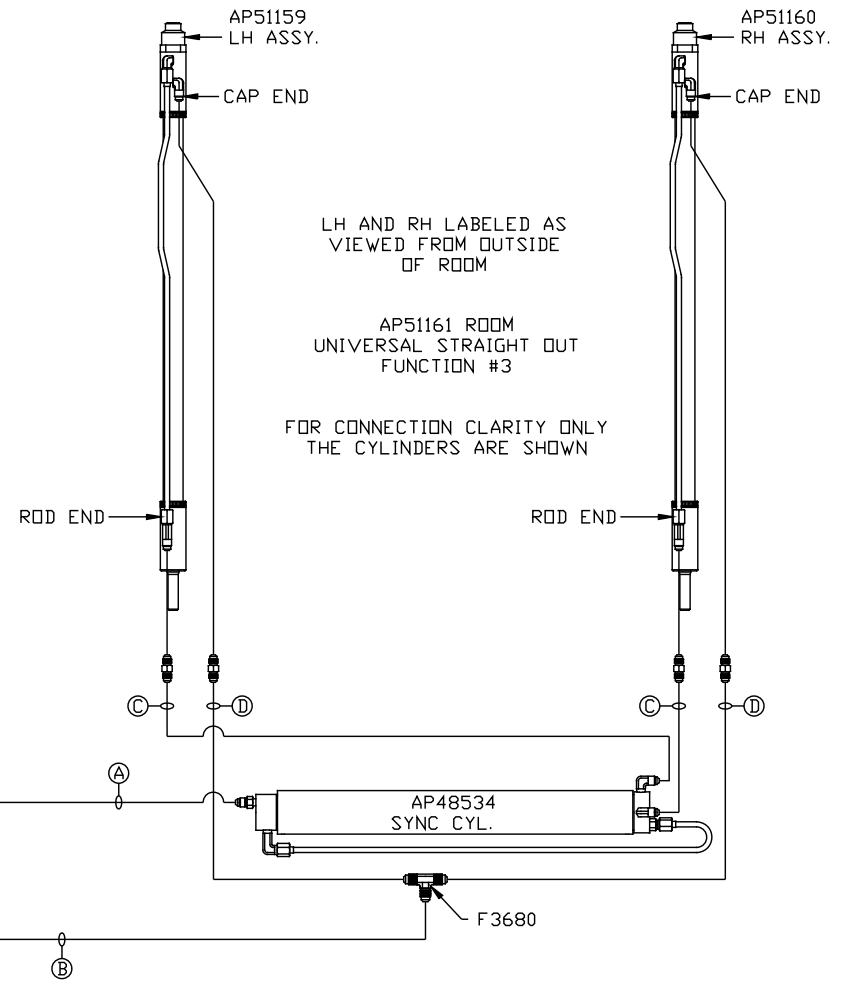
MP70682 D/H
27NOV13

*: PART OF THE ROOM
EXTENSION MECHANISM.

- Ⓐ .25" ID HOSE
ROD END - ALWAYS PRESSURIZED
- Ⓑ .25" ID HOSE
CAP END
- Ⓒ 03 HOSE
ROD END - ALWAYS PRESSURIZED - MUST
MAINTAIN EQUAL LENGTH AND DIAMETER
- Ⓓ 03 HOSE
CAP END - MUST MAINTAIN EQUAL LENGTH
AND DIAMETER



SIDE VIEW MANIFOLD-AP50588
MANIFOLD IS LOCATED NEXT
TO PUMP MANIFOLD ASSY.



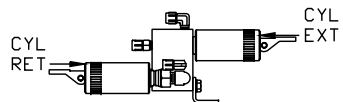
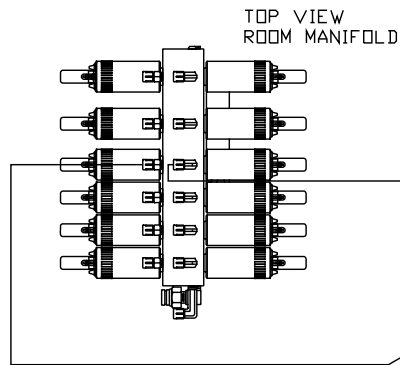
NOTE: INSTALLATION MUST CONFORM TO GOOD SHOP PRACTICES, SAE
STANDARDS, RVIA STANDARDS, AND OTHER APPLICABLE STANDARDS.

MP70682 E/H
27NOV13

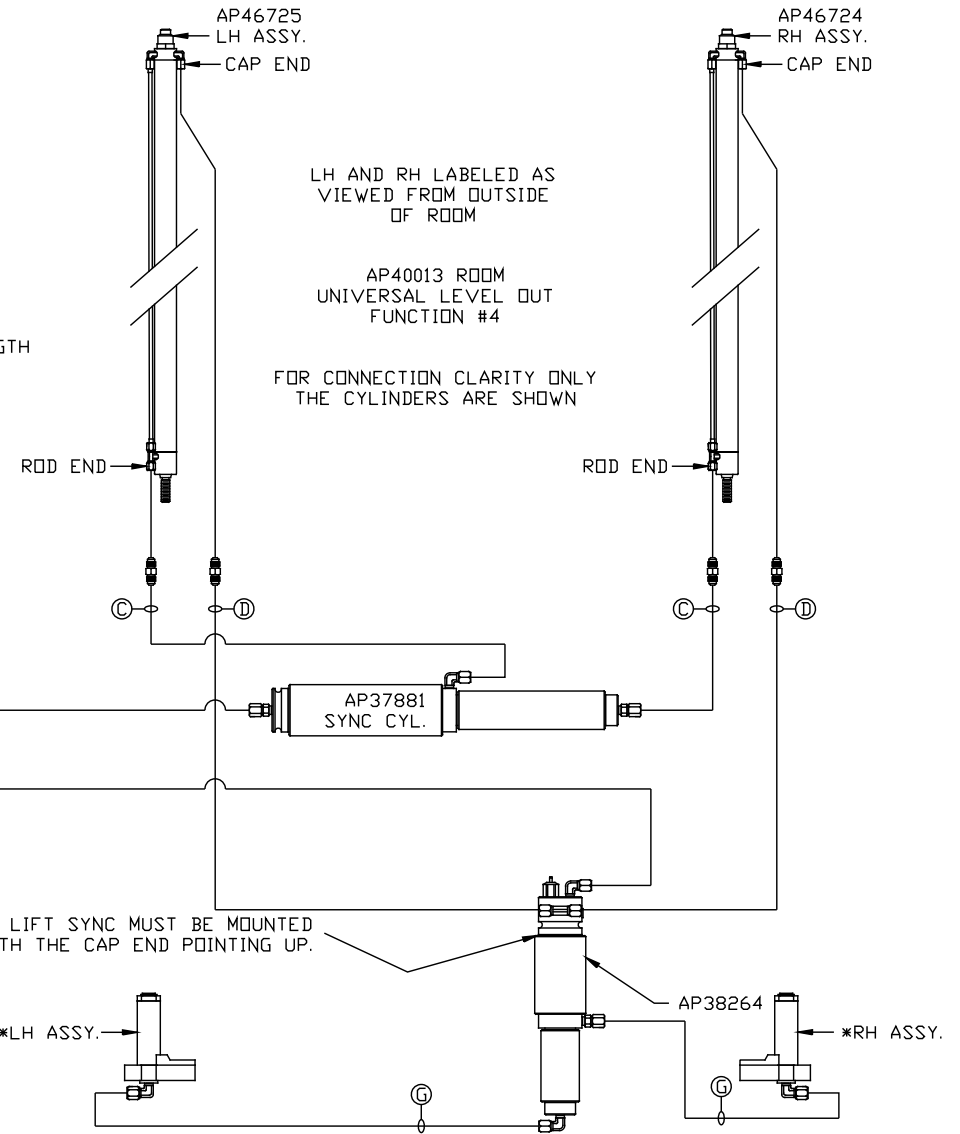
*: PART OF THE ROOM
EXTENSION MECHANISM.

- Ⓐ .25" ID HOSE
ROD END - ALWAYS PRESSURIZED
- Ⓑ .25" ID HOSE
CAP END
- Ⓒ 03 HOSE
ROD END - ALWAYS PRESSURIZED - MUST
MAINTAIN EQUAL LENGTH AND DIAMETER
- Ⓓ .25" ID HOSE
CAP END - MUST MAINTAIN EQUAL LENGTH
AND DIAMETER

- Ⓒ 03 HOSE
CAP END - MUST MAINTAIN EQUAL LENGTH
AND DIAMETER



SIDE VIEW MANIFOLD-AP50588
MANIFOLD IS LOCATED NEXT
TO PUMP MANIFOLD ASSY.

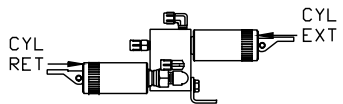
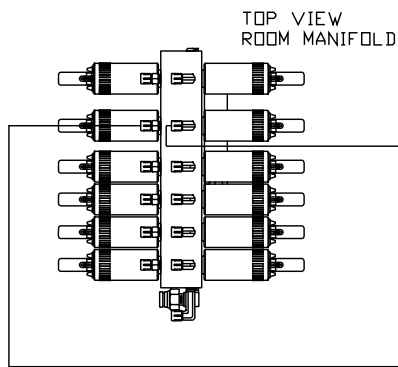


NOTE: INSTALLATION MUST CONFORM TO GOOD SHOP PRACTICES, SAE
STANDARDS, RVIA STANDARDS, AND OTHER APPLICABLE STANDARDS.

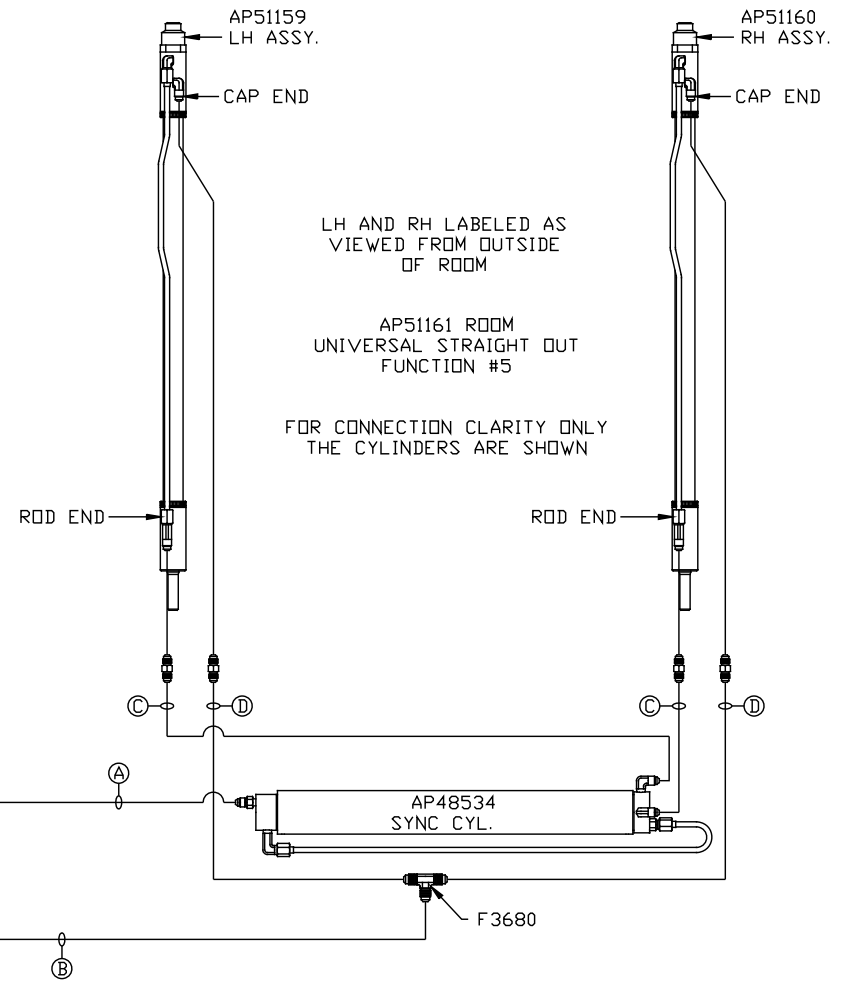
MP70682 F/H
27NOV13

*: PART OF THE ROOM
EXTENSION MECHANISM.

- Ⓐ .25" ID HOSE
ROD END - ALWAYS PRESSURIZED
- Ⓑ .25" ID HOSE
CAP END
- Ⓒ 03 HOSE
ROD END - ALWAYS PRESSURIZED - MUST
MAINTAIN EQUAL LENGTH AND DIAMETER
- Ⓓ 03 HOSE
CAP END - MUST MAINTAIN EQUAL LENGTH
AND DIAMETER



SIDE VIEW MANIFOLD-AP50588
MANIFOLD IS LOCATED NEXT
TO PUMP MANIFOLD ASSY.



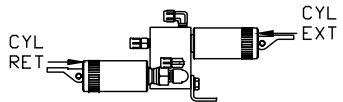
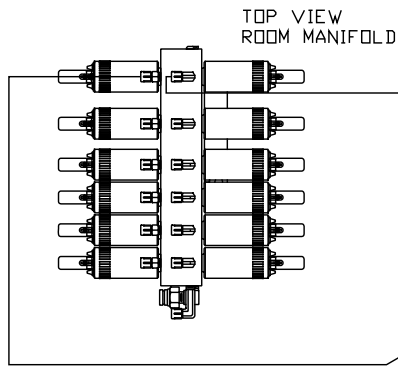
NOTE: INSTALLATION MUST CONFORM TO GOOD SHOP PRACTICES, SAE
STANDARDS, RVIA STANDARDS, AND OTHER APPLICABLE STANDARDS.

MP70682 G/H
27NOV13

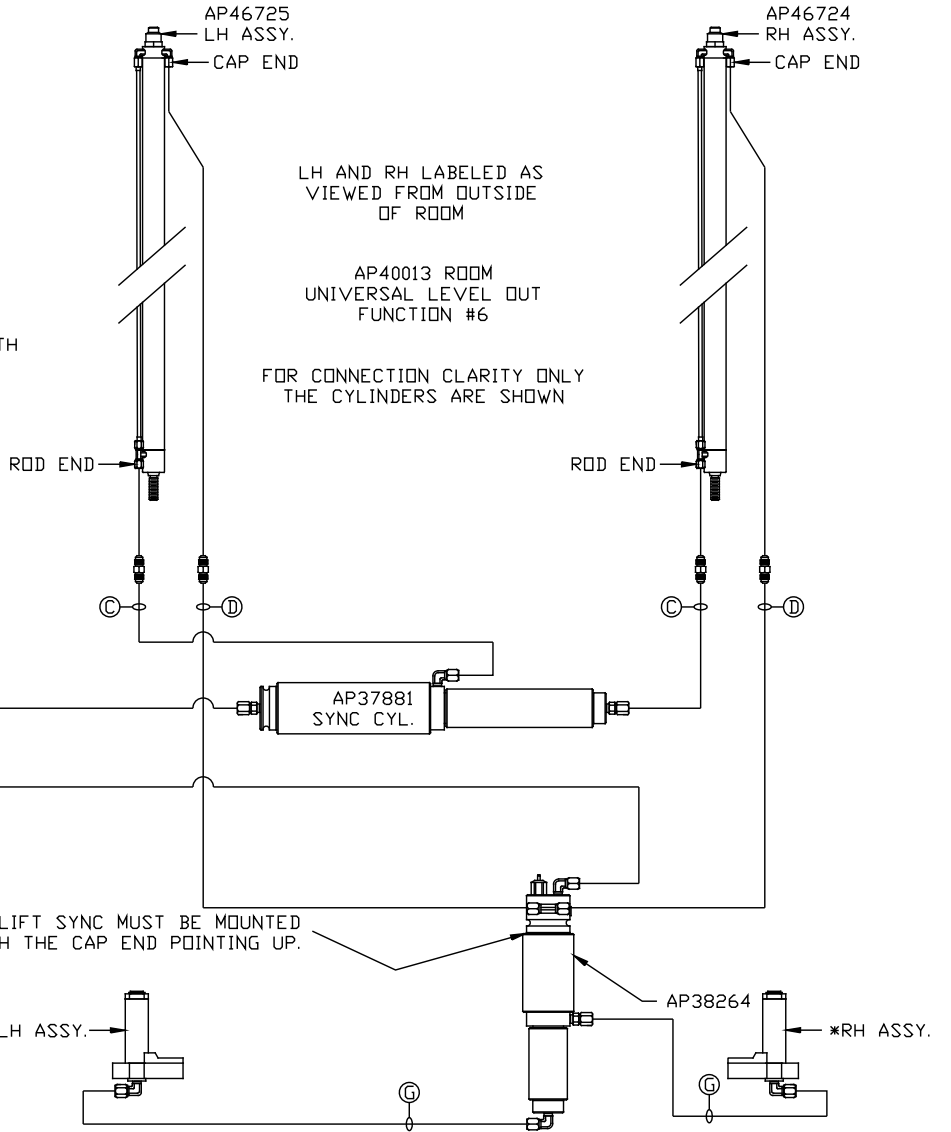
*: PART OF THE ROOM
EXTENSION MECHANISM.

- Ⓐ .25" ID HOSE
ROD END - ALWAYS PRESSURIZED
- Ⓑ .25" ID HOSE
CAP END
- Ⓒ 03 HOSE
ROD END - ALWAYS PRESSURIZED - MUST
MAINTAIN EQUAL LENGTH AND DIAMETER
- Ⓓ .25" ID HOSE
CAP END - MUST MAINTAIN EQUAL LENGTH
AND DIAMETER

- Ⓒ 03 HOSE
CAP END - MUST MAINTAIN EQUAL LENGTH
AND DIAMETER



SIDE VIEW MANIFOLD-AP50588
MANIFOLD IS LOCATED NEXT
TO PUMP MANIFOLD ASSY.



NOTE: INSTALLATION MUST CONFORM TO GOOD SHOP PRACTICES, SAE
STANDARDS, RVIA STANDARDS, AND OTHER APPLICABLE STANDARDS.

MP70682 H/H
27NOV13