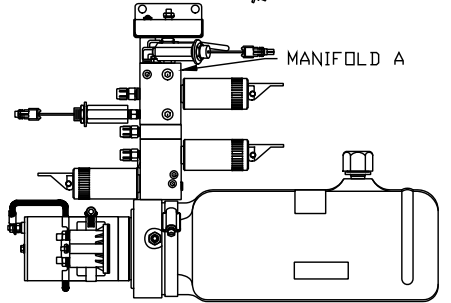
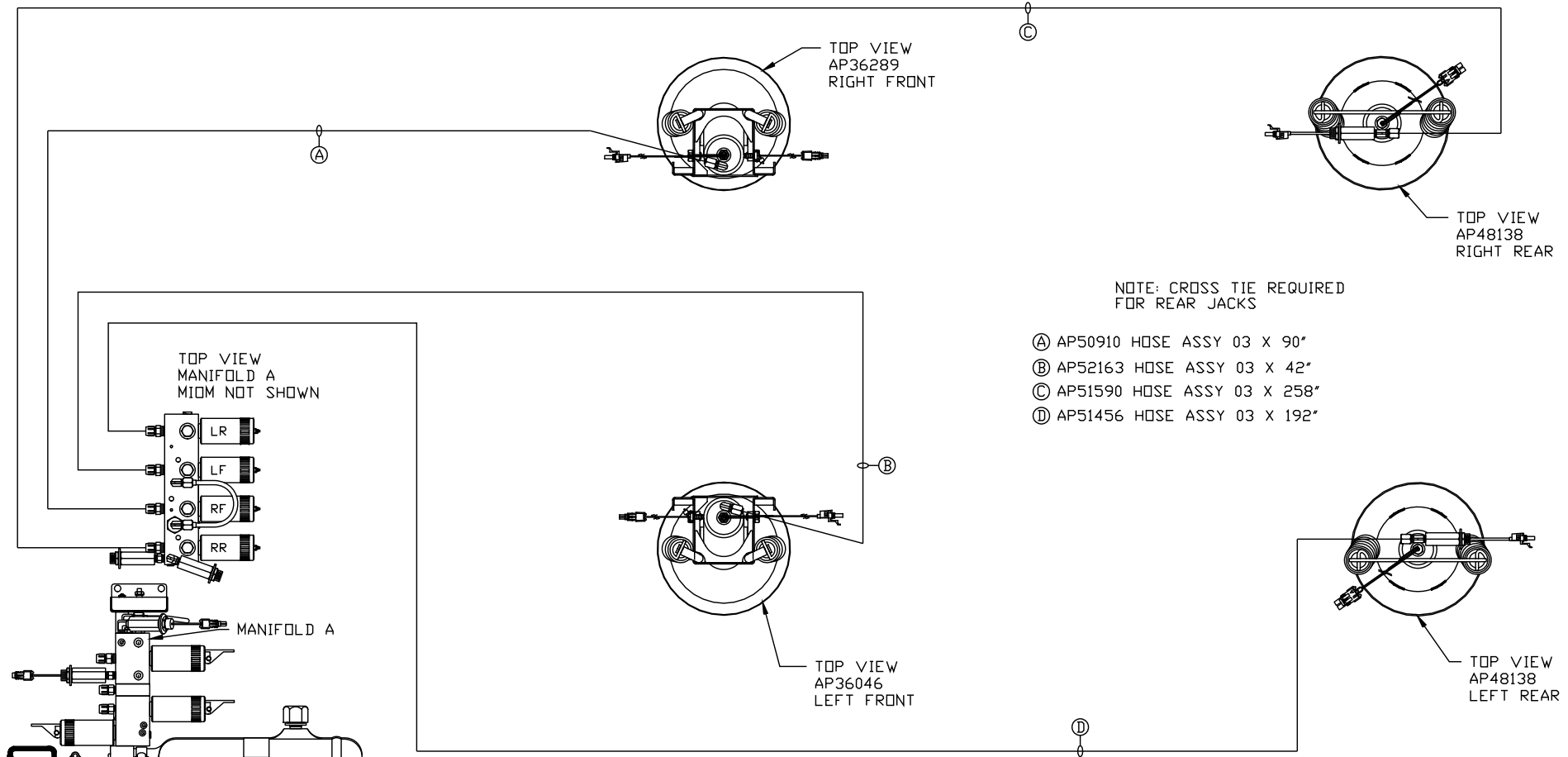


ORIENTATION  
 ← FRONT



LOCATION AND ORIENTATION OF  
 PUMP/MANIFOLD ASSEMBLY WILL  
 DIFFER DEPENDING UPON O.E.M.

NOTE: INSTALLATION MUST CONFORM TO GOOD SHOP PRACTICES, SAE  
 STANDARDS, RVIA STANDARDS, AND OTHER APPLICABLE STANDARDS.

LEVELING SYSTEM: AP53120

NO.	DATE	REVISION
THE INFORMATION DISCLOSED ON THIS DRAWING IS CONFIDENTIAL AND MUST NOT BE DISCLOSED OR USED IN ANY MANNER WHICH WILL BE DETRIMENTAL TO THE HWH CORPORATION		

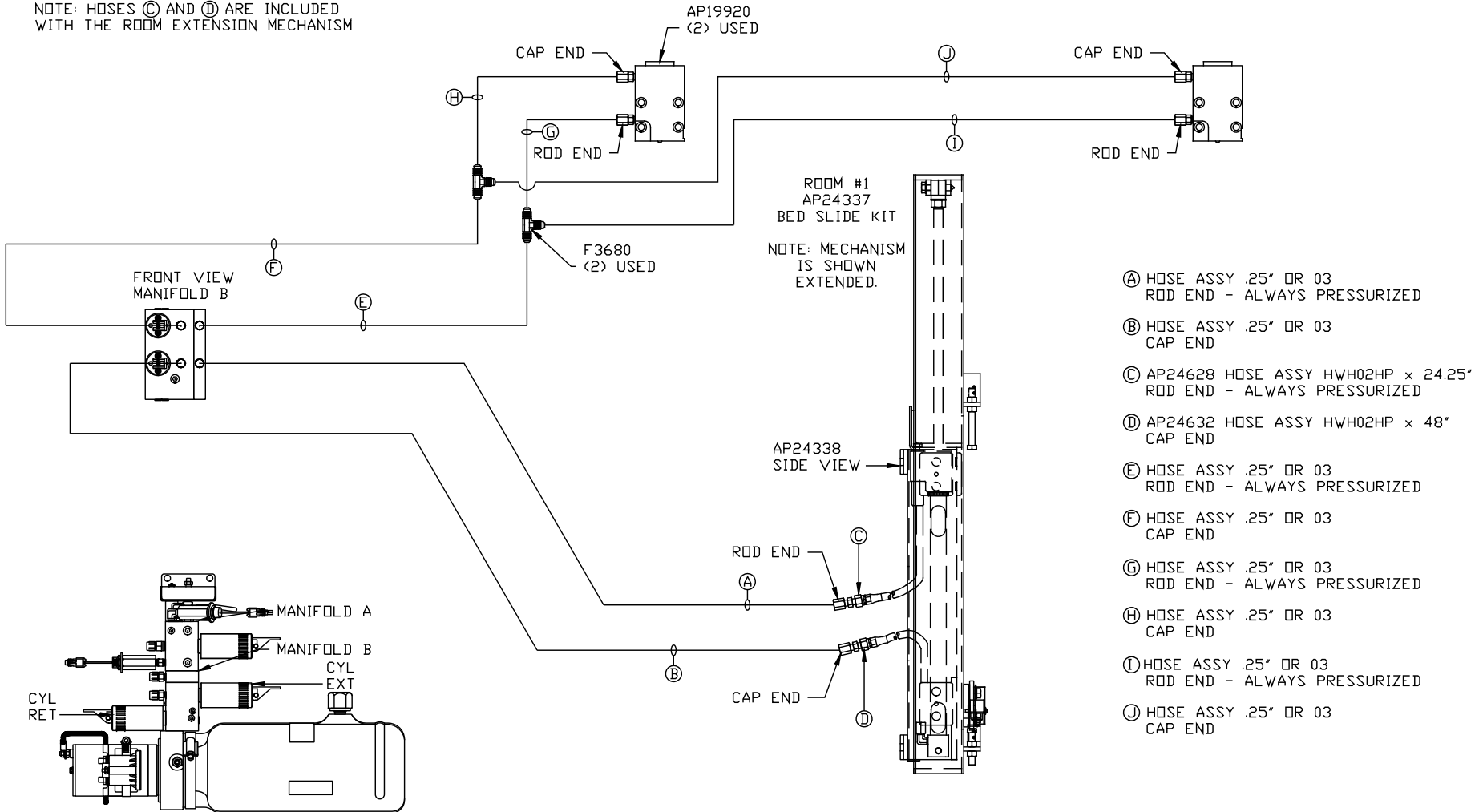
HWH I-80 EXIT 267 SOUTH  
 RT 1 MOSCOW, IOWA 52760

SCALE 1:6 DATE 21FEB14 DRAWN BY .

HYD CONN DIAGRAM

COUNTY COACH DRAWING NUMBER  
 MP70753 A/B

NOTE: HOSES ③ AND ⑩ ARE INCLUDED WITH THE ROOM EXTENSION MECHANISM



ROOM #1  
AP24337  
BED SLIDE KIT  
NOTE: MECHANISM IS SHOWN EXTENDED.

- Ⓐ HOSE ASSY .25" OR 03  
ROD END - ALWAYS PRESSURIZED
- Ⓑ HOSE ASSY .25" OR 03  
CAP END
- Ⓒ AP24628 HOSE ASSY HWH02HP x 24.25"  
ROD END - ALWAYS PRESSURIZED
- Ⓓ AP24632 HOSE ASSY HWH02HP x 48"  
CAP END
- Ⓔ HOSE ASSY .25" OR 03  
ROD END - ALWAYS PRESSURIZED
- Ⓕ HOSE ASSY .25" OR 03  
CAP END
- Ⓖ HOSE ASSY .25" OR 03  
ROD END - ALWAYS PRESSURIZED
- Ⓗ HOSE ASSY .25" OR 03  
CAP END
- Ⓘ HOSE ASSY .25" OR 03  
ROD END - ALWAYS PRESSURIZED
- ⓵ HOSE ASSY .25" OR 03  
CAP END

SIDE VIEW PUMP/MANIFOLD-AP53206  
LOCATION AND ORIENTATION OF  
PUMP/MANIFOLD ASSEMBLY WILL  
DIFFER DEPENDING UPON O.E.M.

NOTE: INSTALLATION MUST CONFORM TO GOOD SHOP PRACTICES, SAE STANDARDS, RVIA STANDARDS, AND OTHER APPLICABLE STANDARDS.