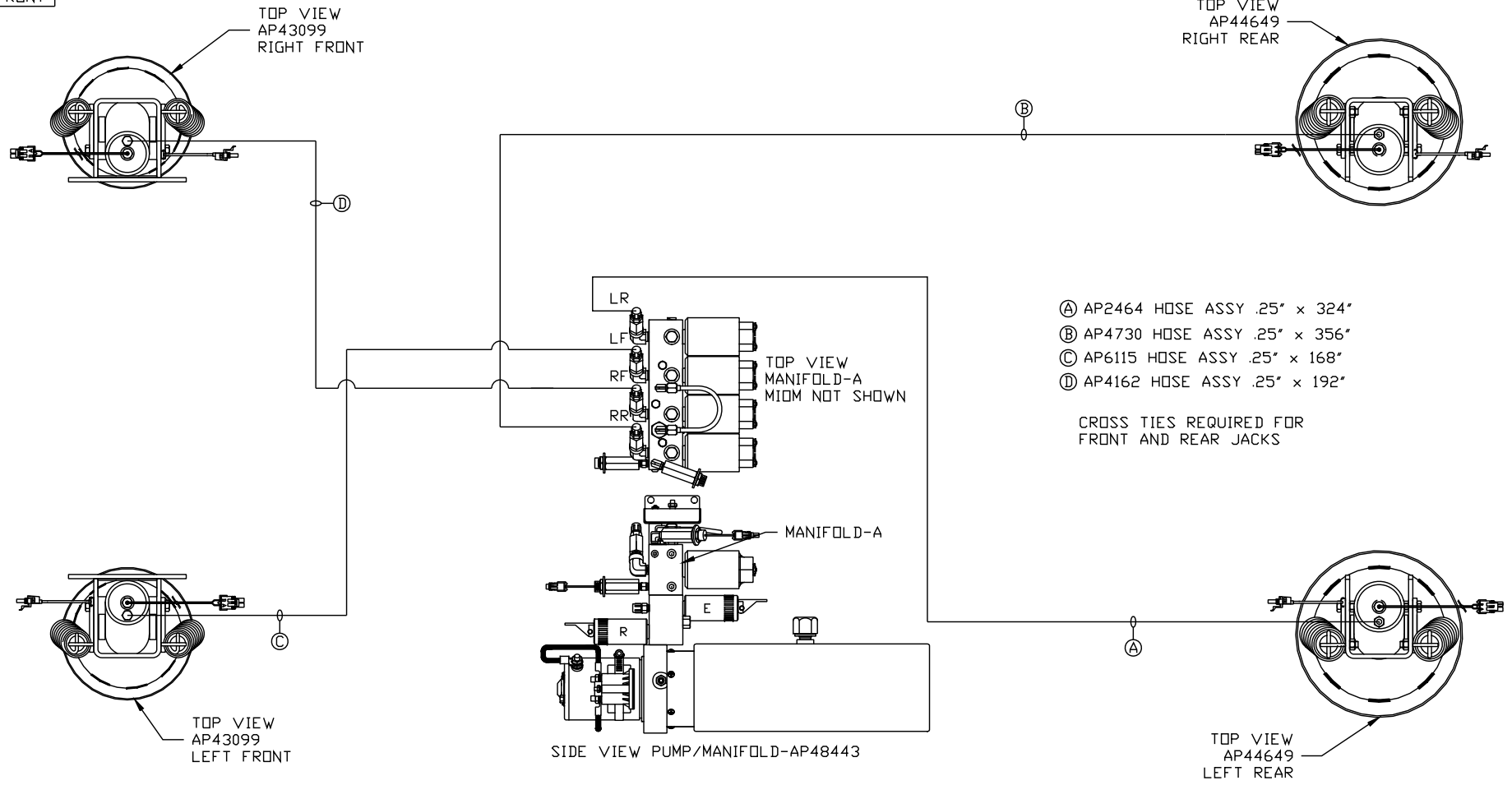


ORIENTATION
← FRONT



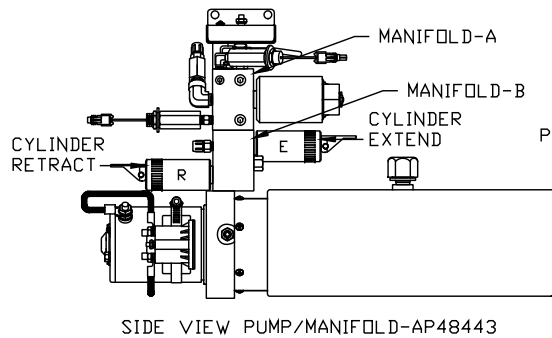
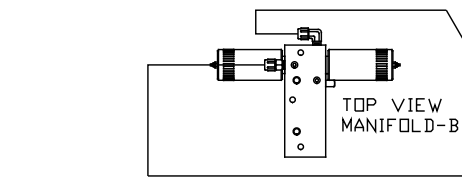
NOTE: INSTALLATION MUST CONFORM TO GOOD SHOP PRACTICES, SAE STANDARDS, RVIA STANDARDS, AND OTHER APPLICABLE STANDARDS.

LEVELING SYSTEM: AP53023

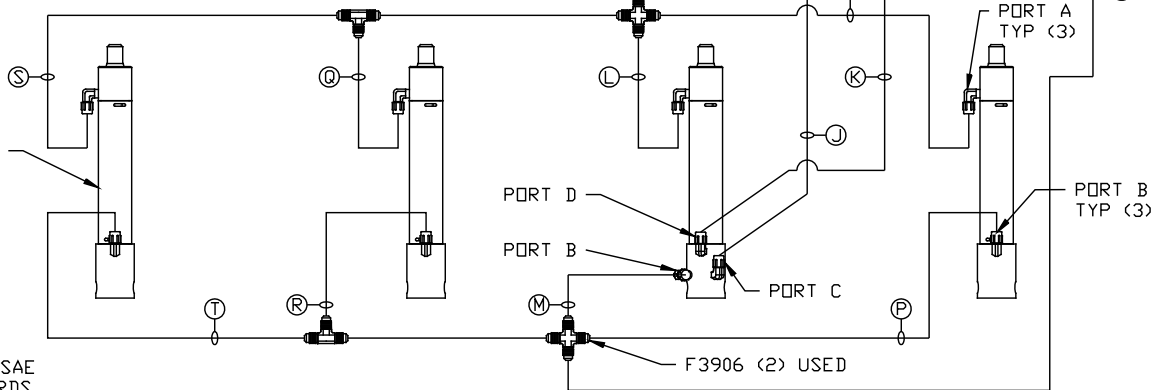
		HWH		I-80 EXIT 267 SOUTH RT 1 MOSCOW, IOWA 52760	
		SCALE 1:6	DATE 27FEB14	DRAWN BY .	
		HYD CONN DIAGRAM			
		MATTHEWS		DRAWING NUMBER MP70757 A/B	
NO.	DATE	REVISION			
THE INFORMATION DISCLOSED ON THIS DRAWING IS CONFIDENTIAL AND MUST NOT BE DISCLOSED OR USED IN ANY MANNER WHICH WILL BE DETRIMENTAL TO THE HWH CORPORATION					

- Ⓐ .25" ID HOSE
ROD END - ALWAYS PRESSURIZED
- Ⓑ .25" ID HOSE
CAP END (ROOM)
- Ⓒ HOSE ASSY 3/16" ID
ROD END - ALWAYS PRESSURIZED - MUST
BE HIGH PRESSURE HOSES OF EQUAL
LENGTH AND DIAMETER
- Ⓓ HOSE ASSY .25" ID
CAP END - MUST MAINTAIN EQUAL LENGTH
AND DIAMETER
- Ⓔ AP24632 HOSE ASSY HWH02HP x 48"
ROD END - ALWAYS PRESSURIZED - MUST
BE HIGH PRESSURE HOSES OF EQUAL
LENGTH AND DIAMETER
- Ⓕ AP24818 HOSE ASSY HWH02HP x 86"
CAP END - MUST MAINTAIN EQUAL LENGTH
AND DIAMETER
- Ⓖ .25" ID HOSE ASSY
CAP END (LIFT)
- Ⓗ HOSE ASSY 3/16" ID
CAP END (ROOM)

- Ⓚ HOSE ASSY 3/16" ID
CAP END (ROOM)
- Ⓛ HOSE ASSY 3/16" ID ROD END (LIFT)
ALWAYS PRESSURIZED
- Ⓜ HOSE ASSY 3/16" ID
CAP END (LIFT)
- Ⓝ .25" ID HOSE ASSY
ROD END - ALWAYS
PRESSURIZED (LIFT)
- Ⓣ HOSE ASSY 3/16" ID ROD END (LIFT)
ALWAYS PRESSURIZED
- Ⓟ HOSE ASSY 3/16" ID
CAP END LIFT
- Ⓡ HOSE ASSY 3/16" ID ROD END (LIFT)
ALWAYS PRESSURIZED
- Ⓢ HOSE ASSY 3/16" ID ROD END (LIFT)
ALWAYS PRESSURIZED
- Ⓤ HOSE ASSY 3/16" ID
CAP END LIFT



PART OF
PLATFORM
ASSY.



LH AND RH LABELED AS
VIEWED FROM OUTSIDE
OF ROOM

AP48390
UNIVERSAL LEVEL IN / LEVEL OUT
ROOM #1

NOTE: HOSES Ⓔ AND Ⓕ ARE INCLUDED
WITH THE ROOM EXTENSION MECHANISM.

NOTE: HOSE Ⓤ IS INCLUDED
WITH THE SYNC. CYLINDER.

NOTE: INSTALLATION MUST CONFORM TO GOOD SHOP PRACTICES, SAE
STANDARDS, RVIA STANDARDS, AND OTHER APPLICABLE STANDARDS.

MP70757 B/B
27FEB14