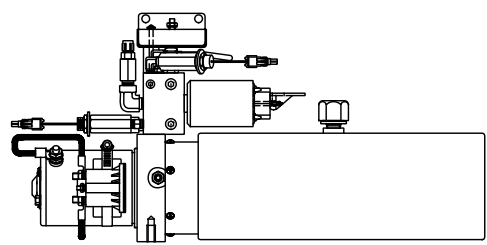
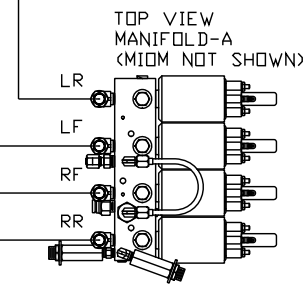
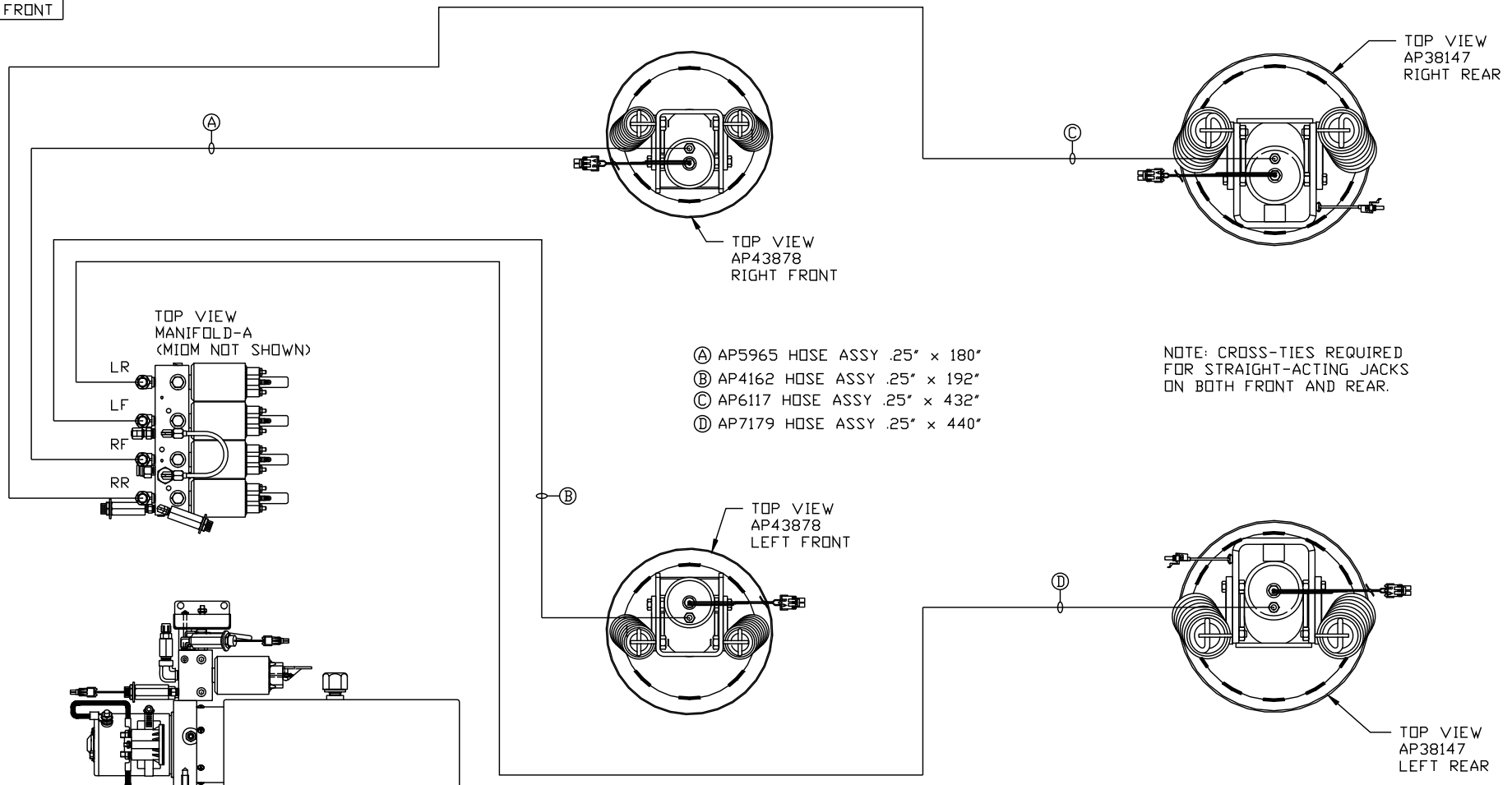


ORIENTATION
← FRONT



SIDE VIEW PUMP/MANIFOLD-AP53497
LOCATION AND ORIENTATION OF
PUMP/MANIFOLD ASSEMBLY WILL
DIFFER DEPENDING UPON O.E.M.

- Ⓐ AP5965 HOSE ASSY .25" x 180"
- Ⓑ AP4162 HOSE ASSY .25" x 192"
- Ⓒ AP6117 HOSE ASSY .25" x 432"
- Ⓓ AP7179 HOSE ASSY .25" x 440"

NOTE: CROSS-TIES REQUIRED
FOR STRAIGHT-ACTING JACKS
ON BOTH FRONT AND REAR.

NOTE: INSTALLATION MUST CONFORM TO GOOD SHOP PRACTICES, SAE
STANDARDS, RVIA STANDARDS, AND OTHER APPLICABLE STANDARDS.

LEVELING SYSTEM: AP53486

1	07MAY15	CORRECTED TYPO
NO.	DATE	REVISION
THE INFORMATION DISCLOSED ON THIS DRAWING IS CONFIDENTIAL AND MUST NOT BE DISCLOSED OR USED IN ANY MANNER WHICH WILL BE DETRIMENTAL TO THE HWH CORPORATION		

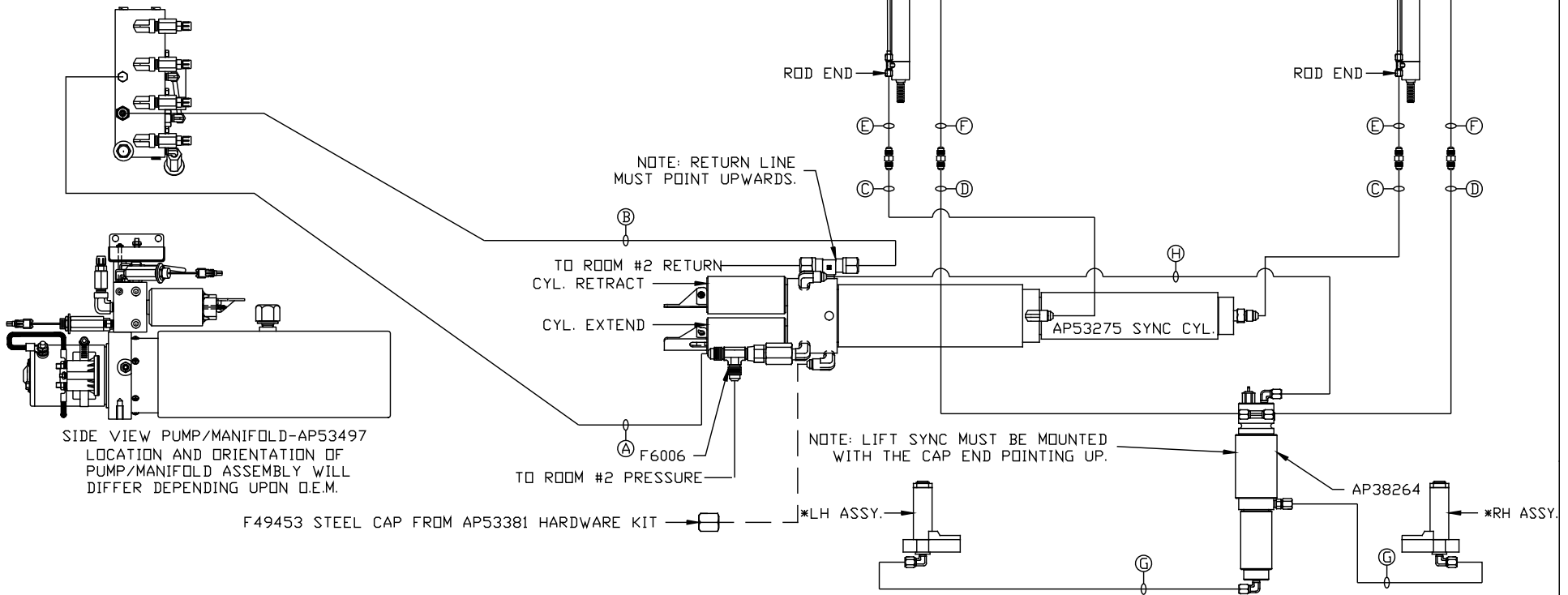
HWH			I-80 EXIT 267 SOUTH RT 1 MOSCOW, IOWA 52760		
SCALE 1:6	DATE 22MAY14	DRAWN BY .			
HYD CONN DIAGRAM					
MATTHEWS				DRAWING NUMBER MP70786 A/C	

*: PART OF THE ROOM
EXTENSION MECHANISM.

NOTE: HOSES (C) AND (F) ARE INCLUDED
WITH THE ROOM EXTENSION MECHANISM.

- (A) HOSE ASSY .125" ID OR 03
PRESSURE
- (B) .375" OD NYLON TUBING
RETURN
- (C) HOSE ASSY .125" ID OR 03
ROD END - ALWAYS PRESSURIZED
HOSES MUST MAINTAIN EQUAL
LENGTH AND DIAMETER
- (D) HOSE ASSY .125" ID
CAP END - HOSES MUST MAINTAIN
EQUAL LENGTH AND DIAMETER

- (E) AP24632 HOSE ASSY HWH02HP X 48"
ROD END - ALWAYS PRESSURIZED -
HOSES MUST MAINTAIN EQUAL
LENGTH AND DIAMETER
- (F) AP24818 HOSE ASSY HWH02HP X 86"
CAP END - MUST MAINTAIN EQUAL
LENGTH AND DIAMETER
- (G) HOSE ASSY .125" ID OR 03
CAP END - HOSES MUST MAINTAIN
EQUAL LENGTH AND DIAMETER
- (H) HOSE ASSY .125" ID
CAP END



NOTE: INSTALLATION MUST CONFORM TO GOOD SHOP PRACTICES, SAE
STANDARDS, RVIA STANDARDS, AND OTHER APPLICABLE STANDARDS.

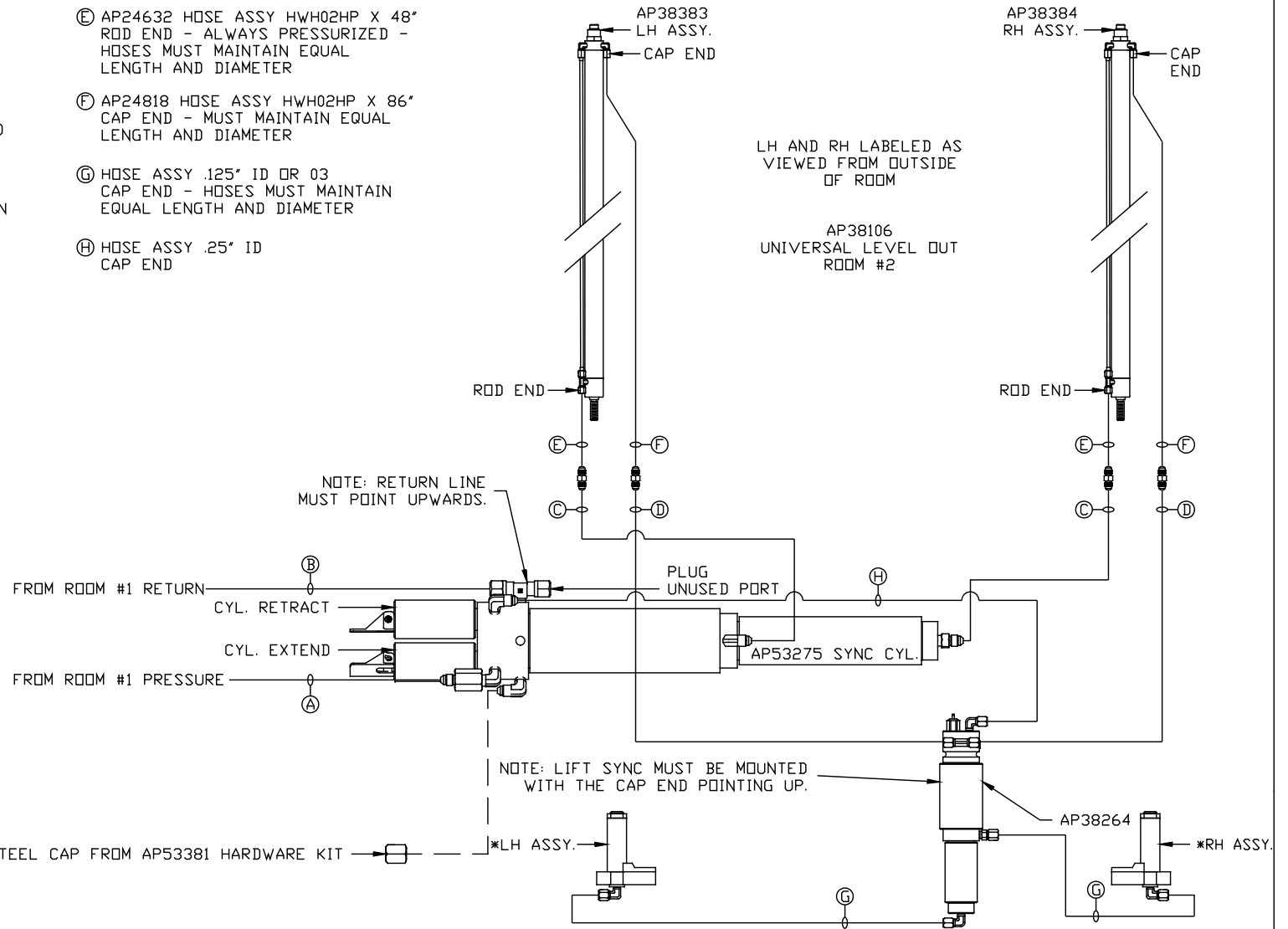
MP70786 B/C
22MAY14

*: PART OF THE ROOM EXTENSION MECHANISM.

NOTE: HOSES (C) AND (F) ARE INCLUDED WITH THE ROOM EXTENSION MECHANISM.

- (A) HOSE ASSY .25" ID PRESSURE
- (B) .375" OD NYLON TUBING RETURN
- (C) HOSE ASSY .125" ID DR 03 ROD END - ALWAYS PRESSURIZED HOSES MUST MAINTAIN EQUAL LENGTH AND DIAMETER
- (D) HOSE ASSY .25" ID CAP END - HOSES MUST MAINTAIN EQUAL LENGTH AND DIAMETER

- (E) AP24632 HOSE ASSY HWH02HP X 48" ROD END - ALWAYS PRESSURIZED - HOSES MUST MAINTAIN EQUAL LENGTH AND DIAMETER
- (F) AP24818 HOSE ASSY HWH02HP X 86" CAP END - MUST MAINTAIN EQUAL LENGTH AND DIAMETER
- (G) HOSE ASSY .125" ID DR 03 CAP END - HOSES MUST MAINTAIN EQUAL LENGTH AND DIAMETER
- (H) HOSE ASSY .25" ID CAP END



NOTE: INSTALLATION MUST CONFORM TO GOOD SHOP PRACTICES, SAE STANDARDS, RVIA STANDARDS, AND OTHER APPLICABLE STANDARDS.

MP70786 C/C
07MAY15