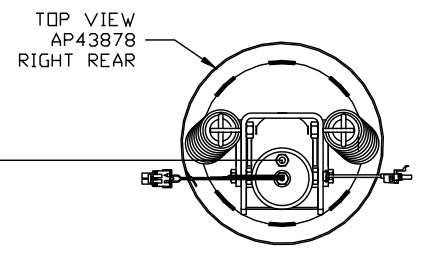
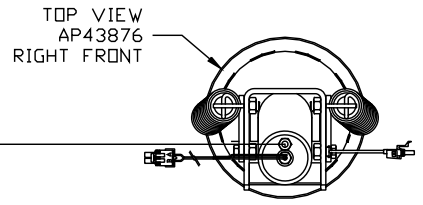
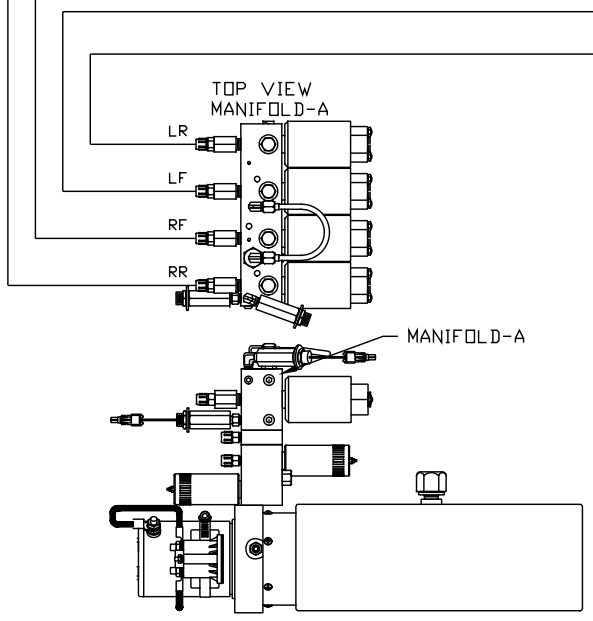


ORIENTATION  
← FRONT

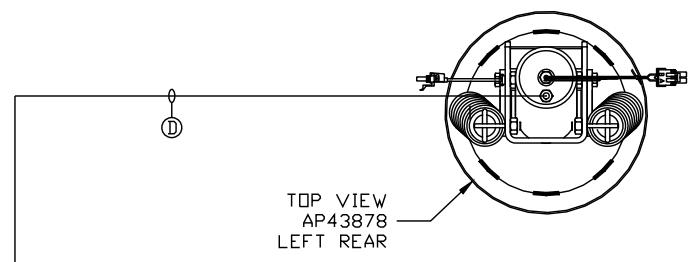
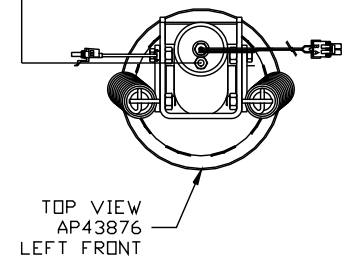


- Ⓐ AP4162 HOSE ASSY 04 x 192"
- Ⓑ AP5965 HOSE ASSY 04 x 180"
- Ⓒ AP4163 HOSE ASSY 04 x 360"
- Ⓓ AP53032 HOSE ASSY 04 x 420"

CROSS TIES REQUIRED FOR  
FRONT AND REAR JACKS



LOCATION AND ORIENTATION OF  
PUMP/MANIFOLD ASSEMBLY WILL  
DIFFER DEPENDING UPON O.E.M.



NOTE: INSTALLATION MUST CONFORM TO GOOD SHOP PRACTICES, SAE  
STANDARDS, RVIA STANDARDS, AND OTHER APPLICABLE STANDARDS.

LEVELING SYSTEM: AP54204

NO.	DATE	REVISION

THE INFORMATION DISCLOSED ON THIS DRAWING IS CON-  
FIDENTIAL AND MUST NOT BE DISCLOSED OR USED IN ANY  
MANNER WHICH WILL BE DETRIMENTAL TO THE HWH CORPORATION

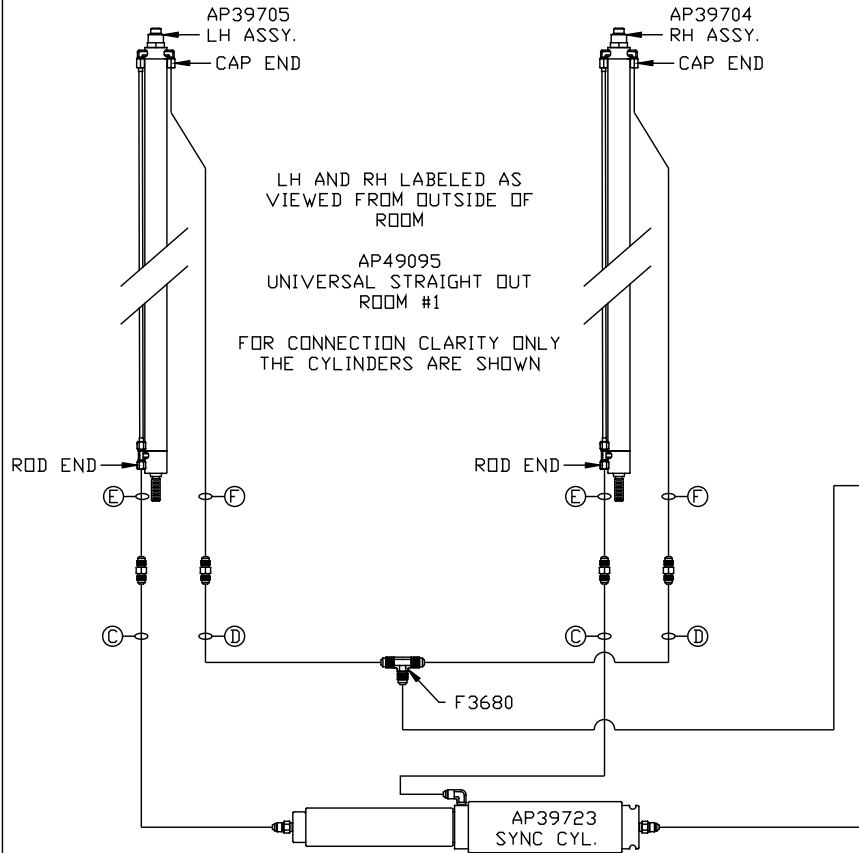
HWH			I-80 EXIT 267 SOUTH RT 1 MOSCOW, IOWA 52760	
SCALE 1:6	DATE 06OCT14	DRAWN BY .		
HYD CONN DIAGRAM				
ALEPH GROUP			DRAWING NUMBER MP70825 A/C	

AP54206 HOSE KIT ROOM 1

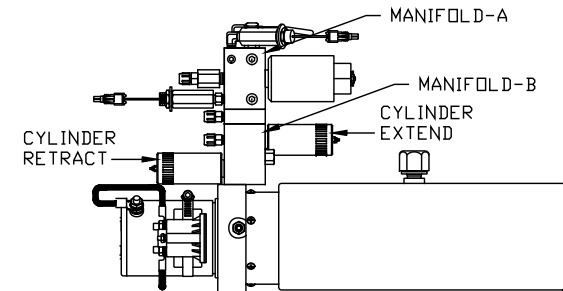
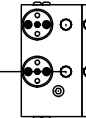
NOTE: HOSES (C) AND (F) ARE INCLUDED WITH THE ROOM EXTENSION MECHANISM

- (A) AP6116 HOSE ASSY 04 x 240"  
ROD END - ALWAYS PRESSURIZED
- (B) AP7385 HOSE ASSY 04 x 252"  
CAP END
- (C) AP24644 HOSE ASSY 02 x 132" HWH HP  
ROD END - ALWAYS PRESSURIZED - MUST BE HIGH PRESSURE HOSES OF EQUAL LENGTH AND DIAMETER

- (D) AP23739 HOSE ASSY 02 x 150"  
CAP END - MUST MAINTAIN EQUAL LENGTH AND DIAMETER
- (E) AP24632 HOSE ASSY 02 x 48" HWH HP  
ROD END - ALWAYS PRESSURIZED - MUST BE HIGH PRESSURE HOSES OF EQUAL LENGTH AND DIAMETER
- (F) AP24818 HOSE ASSY 02 x 86" HWH HP  
CAP END - MUST MAINTAIN EQUAL LENGTH AND DIAMETER



FRONT VIEW  
MANIFOLD-B



SIDE VIEW PUMP/MANIFOLD-AP36694

LOCATION AND ORIENTATION OF PUMP/MANIFOLD ASSEMBLY WILL DIFFER DEPENDING UPON O.E.M.

NOTE: INSTALLATION MUST CONFORM TO GOOD SHOP PRACTICES, SAE STANDARDS, RVIA STANDARDS, AND OTHER APPLICABLE STANDARDS.

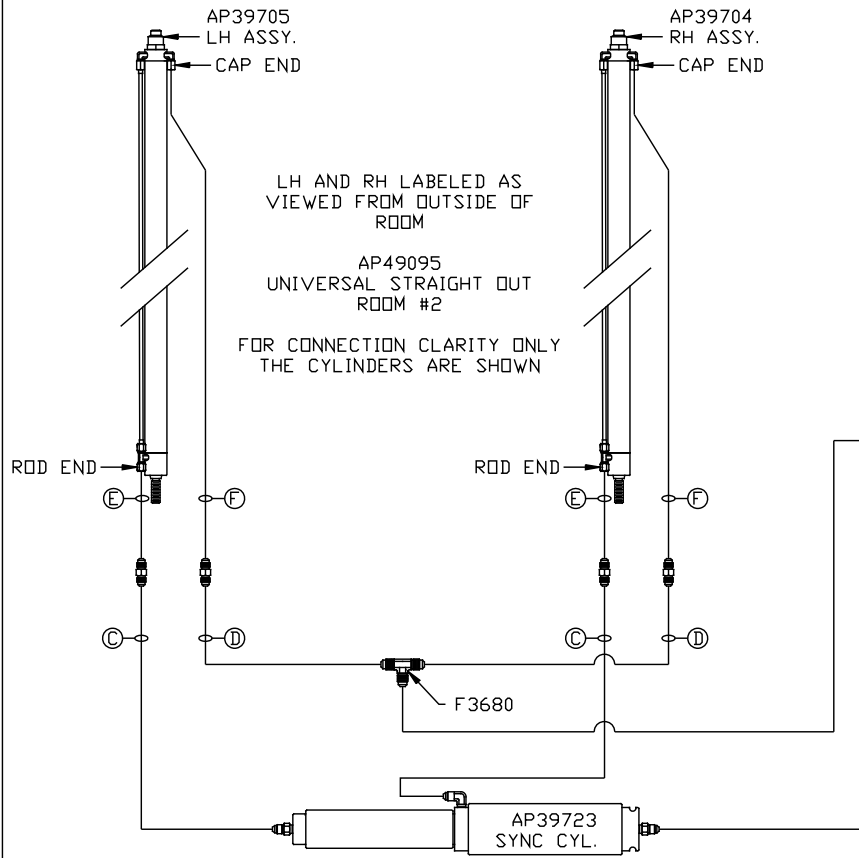
MP70825 B/C  
06OCT14

AP54207 HOSE KIT ROOM 2

NOTE: HOSES (E) AND (F) ARE INCLUDED WITH THE ROOM EXTENSION MECHANISM

- (A) AP5562 HOSE ASSY 04 x 276" ROD END - ALWAYS PRESSURIZED
- (B) AP4063 HOSE ASSY 04 x 288" CAP END
- (C) AP24644 HOSE ASSY 02 x 132" HWH HP ROD END - ALWAYS PRESSURIZED - MUST BE HIGH PRESSURE HOSES OF EQUAL LENGTH AND DIAMETER

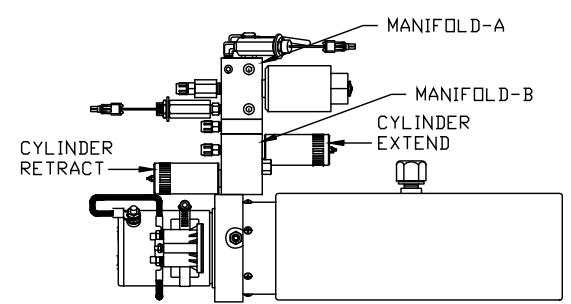
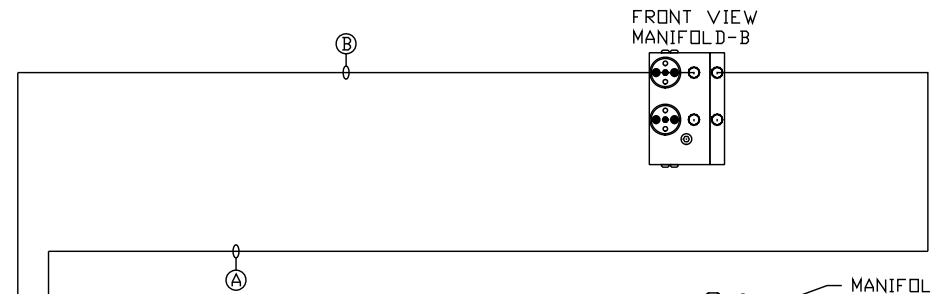
- (D) AP23739 HOSE ASSY 02 x 150" HWH HP CAP END - MUST MAINTAIN EQUAL LENGTH AND DIAMETER
- (E) AP24632 HOSE ASSY 02 x 48" HWH HP ROD END - ALWAYS PRESSURIZED - MUST BE HIGH PRESSURE HOSES OF EQUAL LENGTH AND DIAMETER
- (F) AP24818 HOSE ASSY 02 x 86" HWH HP CAP END - MUST MAINTAIN EQUAL LENGTH AND DIAMETER



LH AND RH LABELED AS VIEWED FROM OUTSIDE OF ROOM

AP49095  
UNIVERSAL STRAIGHT OUT  
ROOM #2

FOR CONNECTION CLARITY ONLY  
THE CYLINDERS ARE SHOWN



SIDE VIEW PUMP/MANIFOLD-AP36694

LOCATION AND ORIENTATION OF PUMP/MANIFOLD ASSEMBLY WILL DIFFER DEPENDING UPON O.E.M.

NOTE: INSTALLATION MUST CONFORM TO GOOD SHOP PRACTICES, SAE STANDARDS, RVIA STANDARDS, AND OTHER APPLICABLE STANDARDS.

MP70825 C/C  
06OCT14