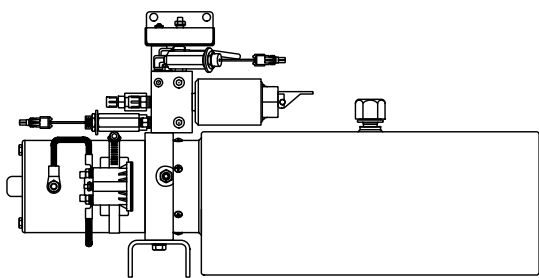
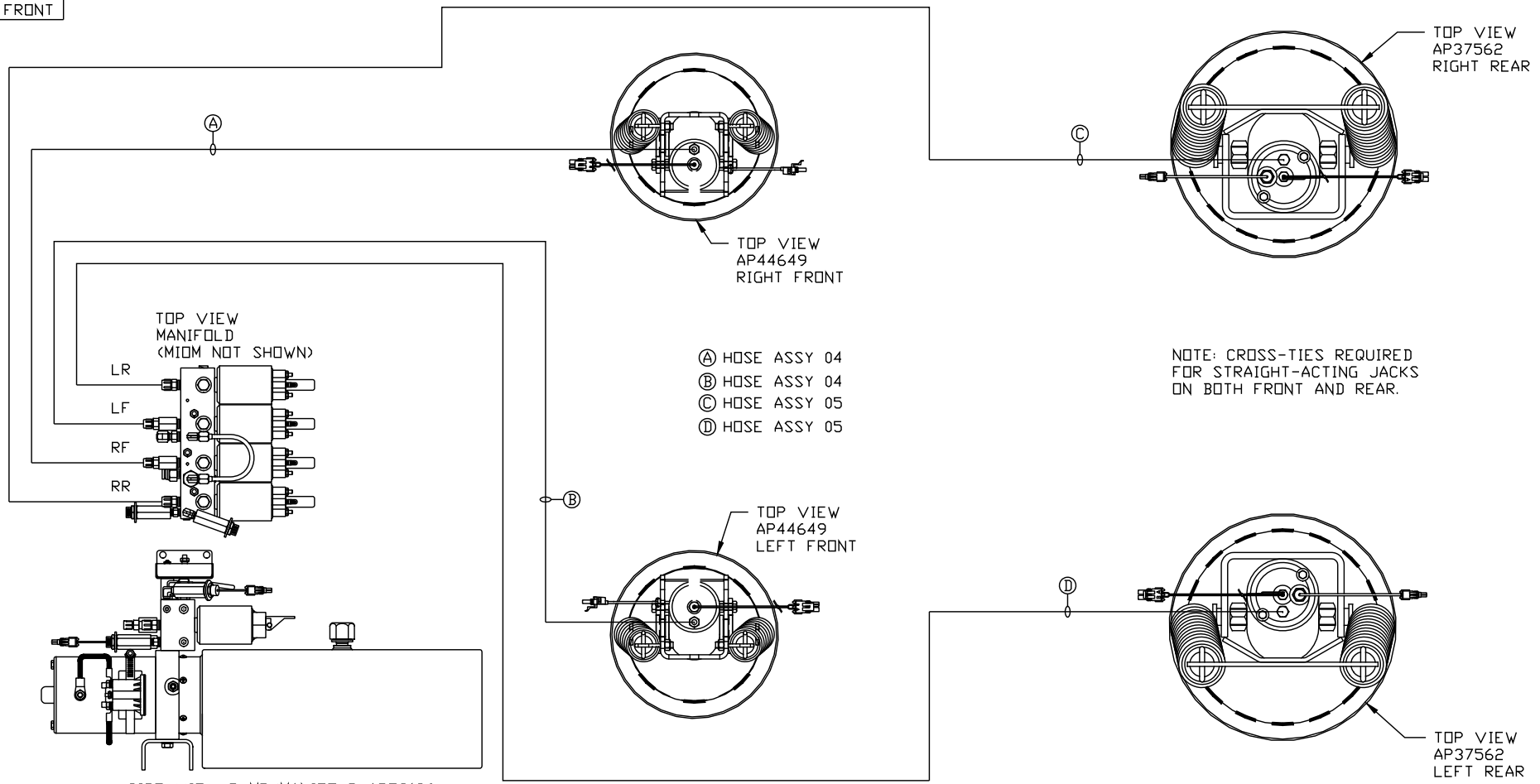


ORIENTATION
← FRONT



SIDE VIEW PUMP/MANIFOLD-AP53196
LOCATION AND ORIENTATION OF
PUMP/MANIFOLD ASSEMBLY WILL
DIFFER DEPENDING UPON O.E.M.

- Ⓐ HOSE ASSY 04
- Ⓑ HOSE ASSY 04
- Ⓒ HOSE ASSY 05
- Ⓓ HOSE ASSY 05

NOTE: CROSS-TIES REQUIRED
FOR STRAIGHT-ACTING JACKS
ON BOTH FRONT AND REAR.

NOTE: INSTALLATION MUST CONFORM TO GOOD SHOP PRACTICES, SAE STANDARDS, RVIA STANDARDS, AND OTHER APPLICABLE STANDARDS.

LEVELING SYSTEM: AP54765

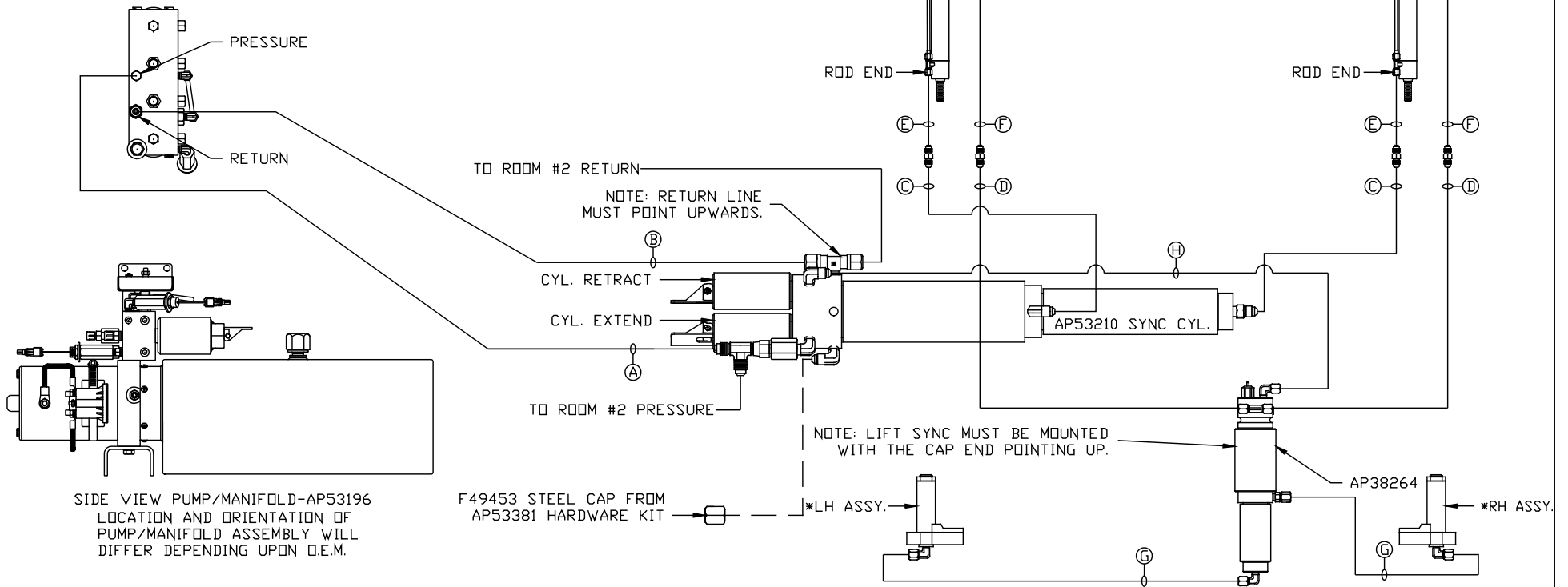
		HWH I-80 EXIT 267 SOUTH RT 1 MOSCOW, IOWA 52760	
		SCALE 1:6	DATE 26JAN15
		DRAWN BY .	
△	14MAY15	CORRECTED TYPO	
NO.	DATE	REVISION	
HYD CONN DIAGRAM			
MATTHEWS			DRAWING NUMBER MP70850 A/C
THE INFORMATION DISCLOSED ON THIS DRAWING IS CONFIDENTIAL AND MUST NOT BE DISCLOSED OR USED IN ANY MANNER WHICH WILL BE DETRIMENTAL TO THE HWH CORPORATION			

*: PART OF THE ROOM
EXTENSION MECHANISM.

NOTE: HOSES (C) AND (F) ARE INCLUDED
WITH THE ROOM EXTENSION MECHANISM.

- (A) HOSE ASSY 04
PRESSURE
- (B) .375" OD NYLON TUBING
RETURN
- (C) HOSE ASSY 03
ROD END - ALWAYS PRESSURIZED -
HOSES MUST MAINTAIN EQUAL
LENGTH AND DIAMETER
- (D) HOSE ASSY 04
CAP END - HOSES MUST MAINTAIN
EQUAL LENGTH AND DIAMETER

- (E) AP24632 HOSE ASSY HWH02HP X 48"
ROD END - ALWAYS PRESSURIZED -
HOSES MUST MAINTAIN EQUAL
LENGTH AND DIAMETER
- (F) AP24818 HOSE ASSY HWH02HP X 86"
CAP END - MUST MAINTAIN EQUAL
LENGTH AND DIAMETER
- (G) HOSE ASSY 03
CAP END - HOSES MUST MAINTAIN
EQUAL LENGTH AND DIAMETER
- (H) HOSE ASSY 04
CAP END



SIDE VIEW PUMP/MANIFOLD-AP53196
LOCATION AND ORIENTATION OF
PUMP/MANIFOLD ASSEMBLY WILL
DIFFER DEPENDING UPON O.E.M.

F49453 STEEL CAP FROM
AP53381 HARDWARE KIT

NOTE: INSTALLATION MUST CONFORM TO GOOD SHOP PRACTICES, SAE
STANDARDS, RVIA STANDARDS, AND OTHER APPLICABLE STANDARDS.

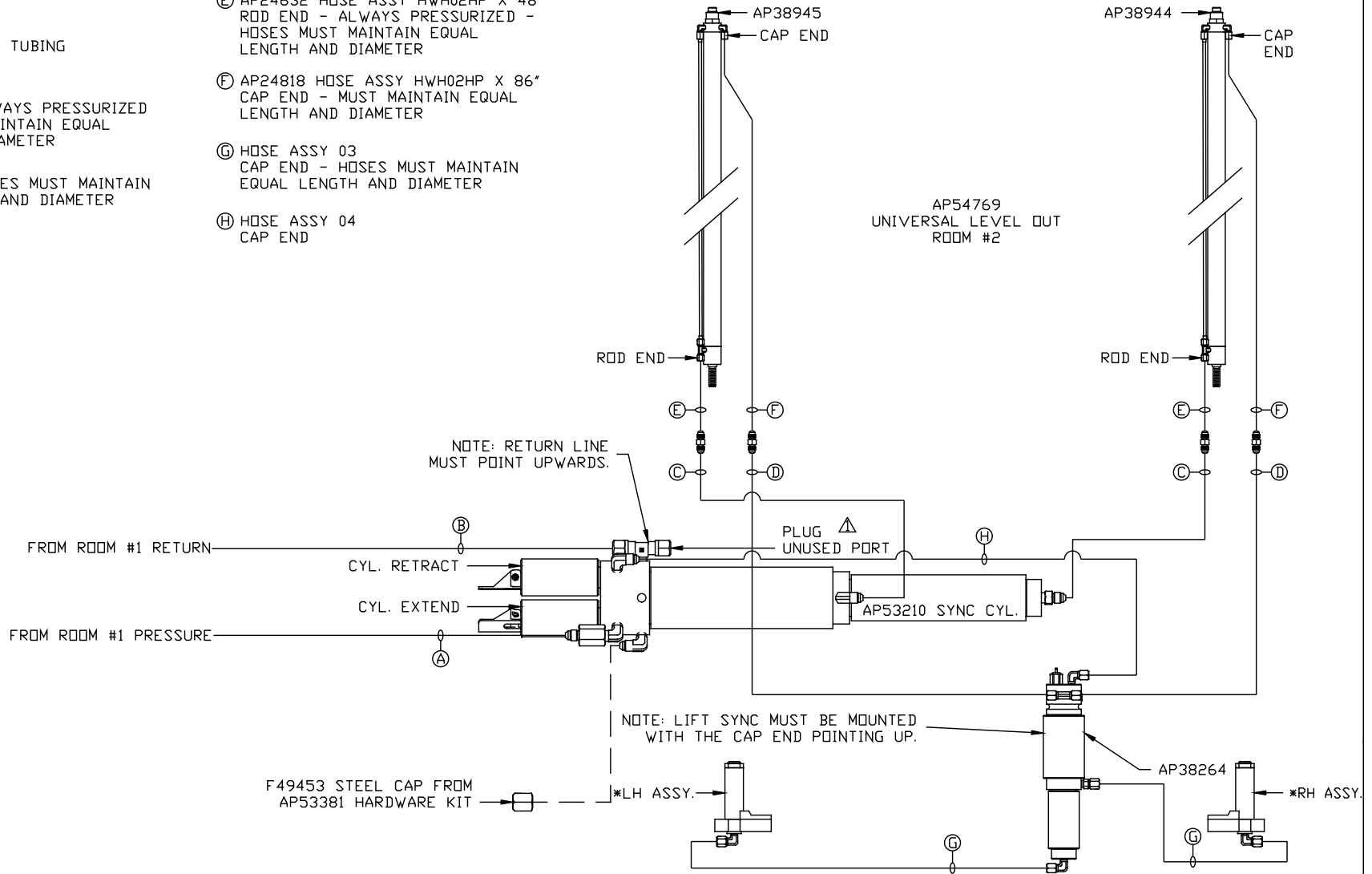
MP70850 B/C
26 JAN15

*: PART OF THE ROOM
EXTENSION MECHANISM.

NOTE: HOSES (C) AND (F) ARE INCLUDED
WITH THE ROOM EXTENSION MECHANISM.

- (A) HOSE ASSY 04
PRESSURE
- (B) .375" OD NYLON TUBING
RETURN
- (C) HOSE ASSY 03
ROD END - ALWAYS PRESSURIZED
HOSES MUST MAINTAIN EQUAL
LENGTH AND DIAMETER
- (D) HOSE ASSY 04
CAP END - HOSES MUST MAINTAIN
EQUAL LENGTH AND DIAMETER

- (E) AP24632 HOSE ASSY HWH02HP X 48"
ROD END - ALWAYS PRESSURIZED -
HOSES MUST MAINTAIN EQUAL
LENGTH AND DIAMETER
- (F) AP24818 HOSE ASSY HWH02HP X 86"
CAP END - MUST MAINTAIN EQUAL
LENGTH AND DIAMETER
- (G) HOSE ASSY 03
CAP END - HOSES MUST MAINTAIN
EQUAL LENGTH AND DIAMETER
- (H) HOSE ASSY 04
CAP END



F49453 STEEL CAP FROM
AP53381 HARDWARE KIT

NOTE: LIFT SYNC MUST BE MOUNTED
WITH THE CAP END POINTING UP.

NOTE: INSTALLATION MUST CONFORM TO GOOD SHOP PRACTICES, SAE
STANDARDS, RVIA STANDARDS, AND OTHER APPLICABLE STANDARDS.

MP70850 C/C
14MAY15