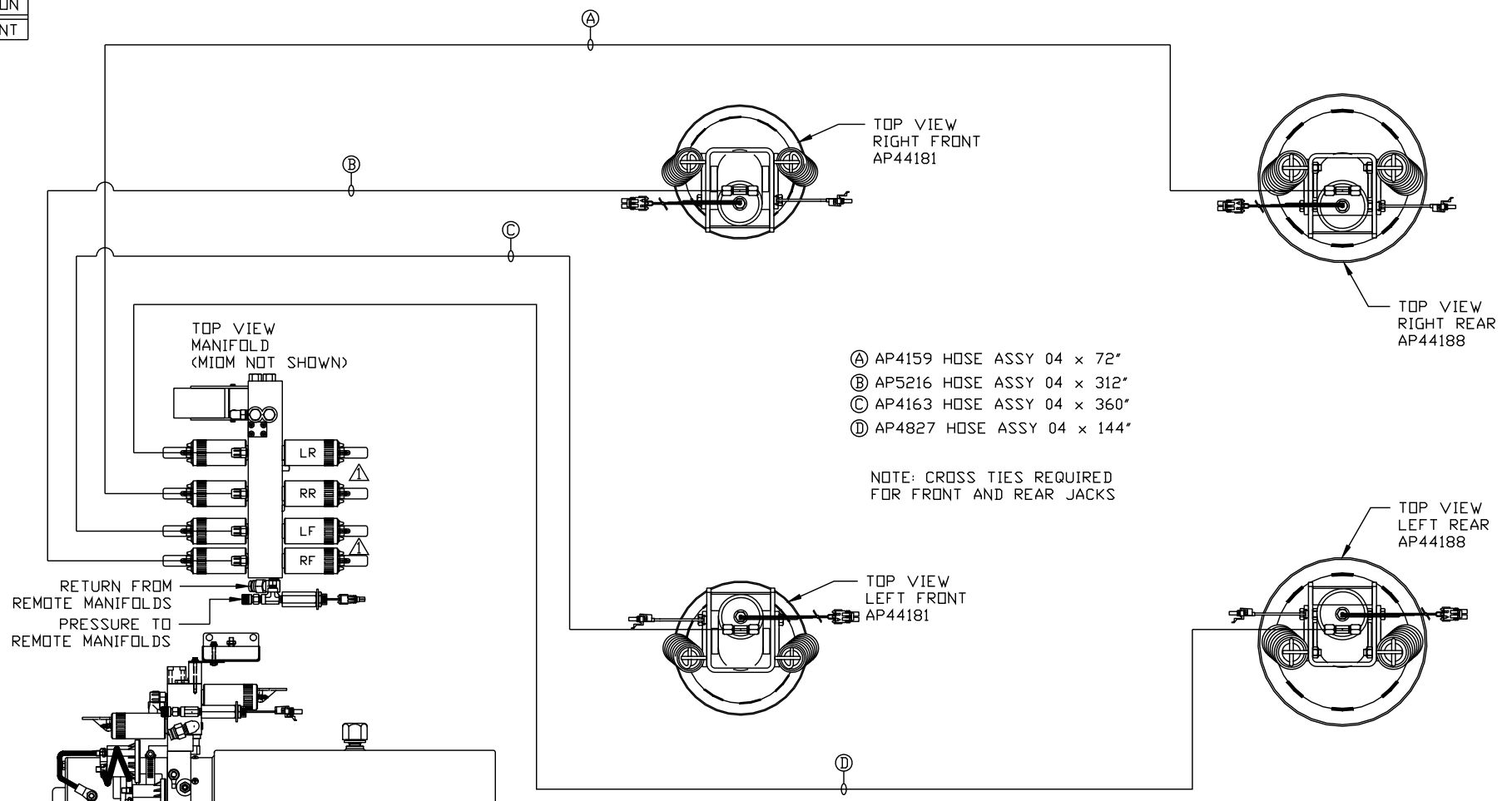


ORIENTATION  
← FRONT

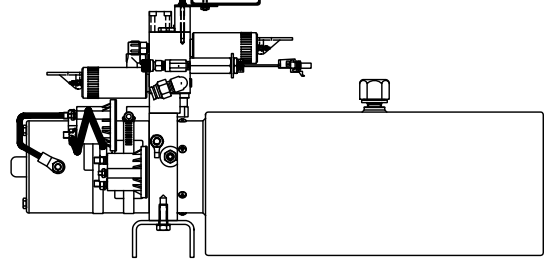


TOP VIEW  
MANIFOLD  
(MIDM NOT SHOWN)

LR  
RR  
LF  
RF

RETURN FROM  
REMOTE MANIFOLDS

PRESSURE TO  
REMOTE MANIFOLDS



SIDE VIEW PUMP/MANIFOLD-AP54033

LOCATION AND ORIENTATION OF  
PUMP/MANIFOLD ASSEMBLY WILL  
DIFFER DEPENDING UPON O.E.M.

NOTE: INSTALLATION MUST CONFORM TO GOOD SHOP PRACTICES, SAE  
STANDARDS, RVIA STANDARDS, AND OTHER APPLICABLE STANDARDS.

LEVELING SYSTEM: AP55037

- Ⓐ AP4159 HOSE ASSY 04 x 72"
- Ⓑ AP5216 HOSE ASSY 04 x 312"
- Ⓒ AP4163 HOSE ASSY 04 x 360"
- Ⓓ AP4827 HOSE ASSY 04 x 144"

NOTE: CROSS TIES REQUIRED  
FOR FRONT AND REAR JACKS

		HWH		I-80 EXIT 267 SOUTH RT 1 MOSCOW, IOWA 52760	
		SCALE 1:6	DATE 13APR15	DRAWN BY .	
⚠	18AUG16	SWAPPED FRONT, REAR		HYD CONN DIAGRAM	
NO.	DATE	REVISION			
THE INFORMATION DISCLOSED ON THIS DRAWING IS CONFIDENTIAL AND MUST NOT BE DISCLOSED OR USED IN ANY MANNER WHICH WILL BE DETRIMENTAL TO THE HWH CORPORATION				FARBER	
				DRAWING NUMBER MP70870 A/B	

NOTE: HOSES (E) AND (F) ARE INCLUDED WITH THE ROOM EXTENSION MECHANISM

(A) HOSE ASSY 04  
PRESSURE

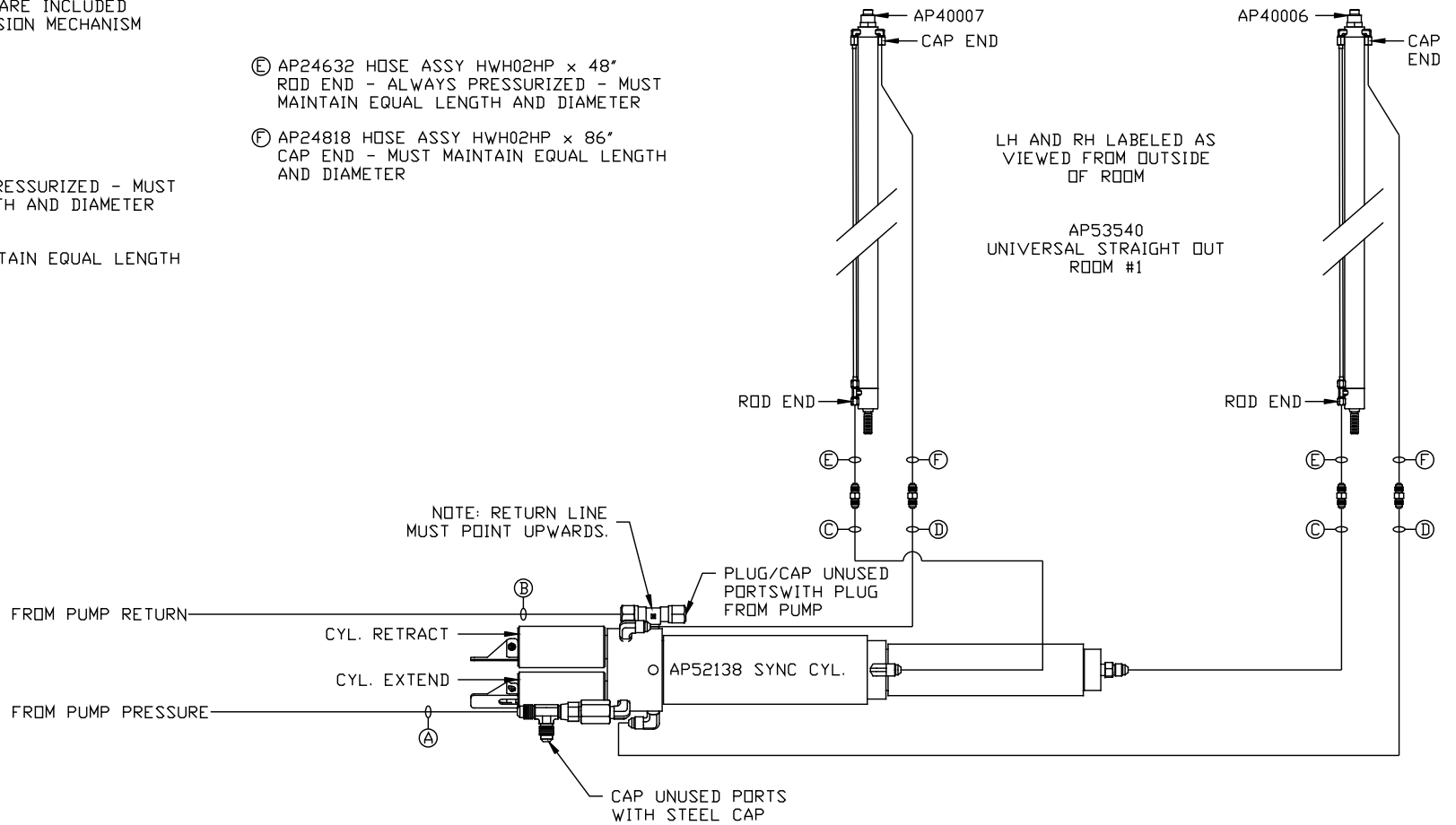
(B) TUBING .375"  
RETURN

(C) HOSE ASSY 03  
ROD END - ALWAYS PRESSURIZED - MUST  
MAINTAIN EQUAL LENGTH AND DIAMETER

(D) HOSE ASSY 04  
CAP END - MUST MAINTAIN EQUAL LENGTH  
AND DIAMETER

(E) AP24632 HOSE ASSY HWH02HP x 48"  
ROD END - ALWAYS PRESSURIZED - MUST  
MAINTAIN EQUAL LENGTH AND DIAMETER

(F) AP24818 HOSE ASSY HWH02HP x 86"  
CAP END - MUST MAINTAIN EQUAL LENGTH  
AND DIAMETER



NOTE: INSTALLATION MUST CONFORM TO GOOD SHOP PRACTICES, SAE STANDARDS, RVIA STANDARDS, AND OTHER APPLICABLE STANDARDS.

MP70870 B/B  
13APR15