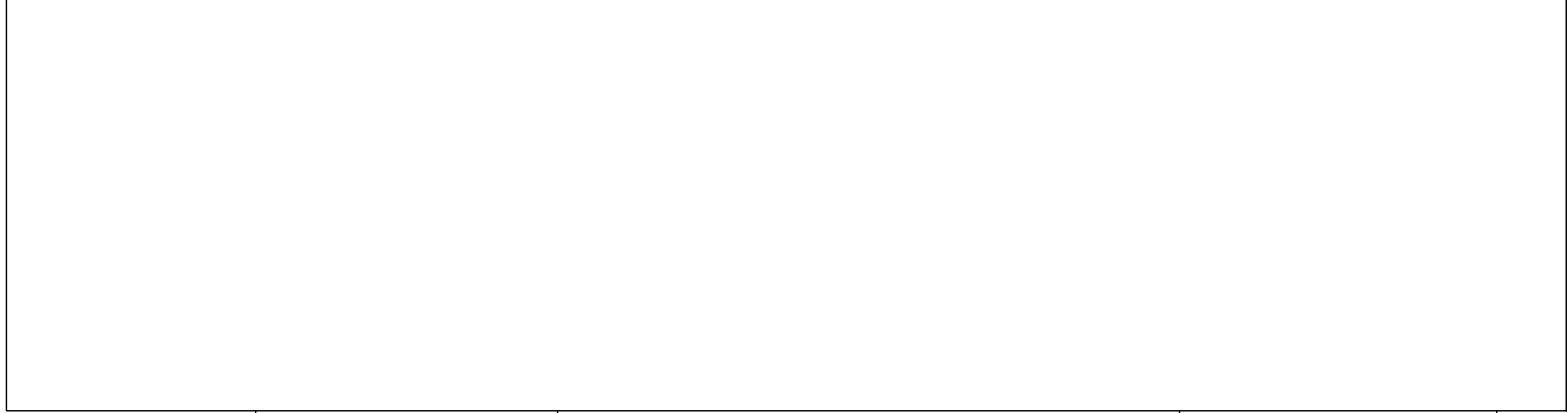


ORIENTATION
 ← FRONT

AP54166
 UNIVERSAL LEVEL OUT
 ROOM 5
 "B" ROOM

AP54166
 UNIVERSAL LEVEL OUT
 ROOM 4
 "B" ROOM

AP54166
 UNIVERSAL LEVEL OUT
 ROOM 3
 "B" ROOM



AP54166
 UNIVERSAL LEVEL OUT
 ROOM 1
 "B" ROOM

AP54166
 UNIVERSAL LEVEL OUT
 ROOM 2
 "B" ROOM

NOTE: INSTALLATION MUST CONFORM TO GOOD SHOP PRACTICES, SAE STANDARDS, RVIA STANDARDS, AND OTHER APPLICABLE STANDARDS.

LEVELING SYSTEM: AP55089

NO.	DATE	REVISION

HWH I-80 EXIT 267 SOUTH
 RT 1 MOSCOW, IOWA 52760
 SCALE 1:6 DATE 16DEC15 DRAWN BY .

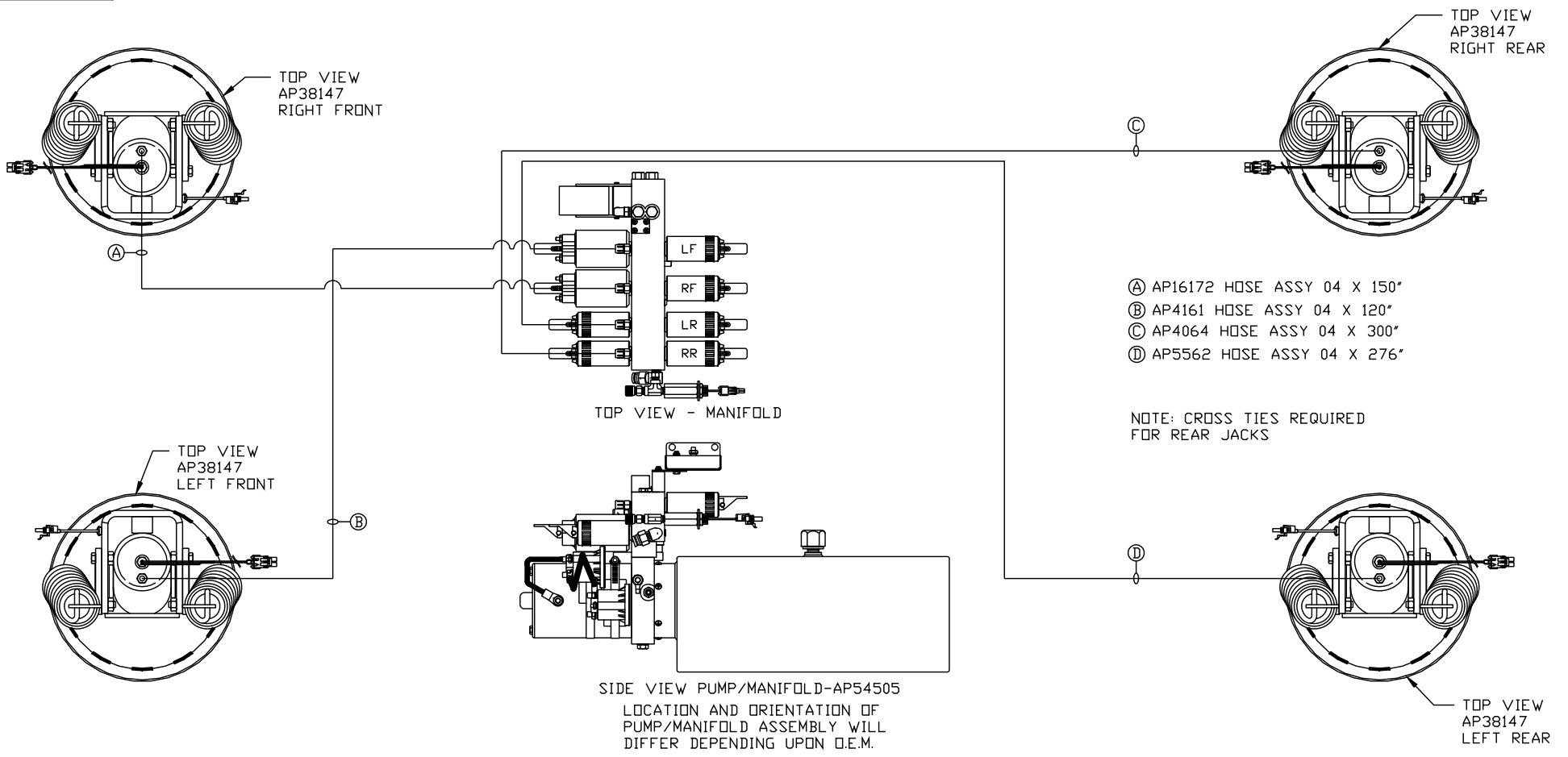
HYD CONN DIAGRAM

THE INFORMATION DISCLOSED ON THIS DRAWING IS CONFIDENTIAL AND MUST NOT BE DISCLOSED OR USED IN ANY MANNER WHICH WILL BE DETRIMENTAL TO THE HWH CORPORATION

LIFELINE

DRAWING NUMBER
 MP70974 A/G

ORIENTATION
 ← FRONT



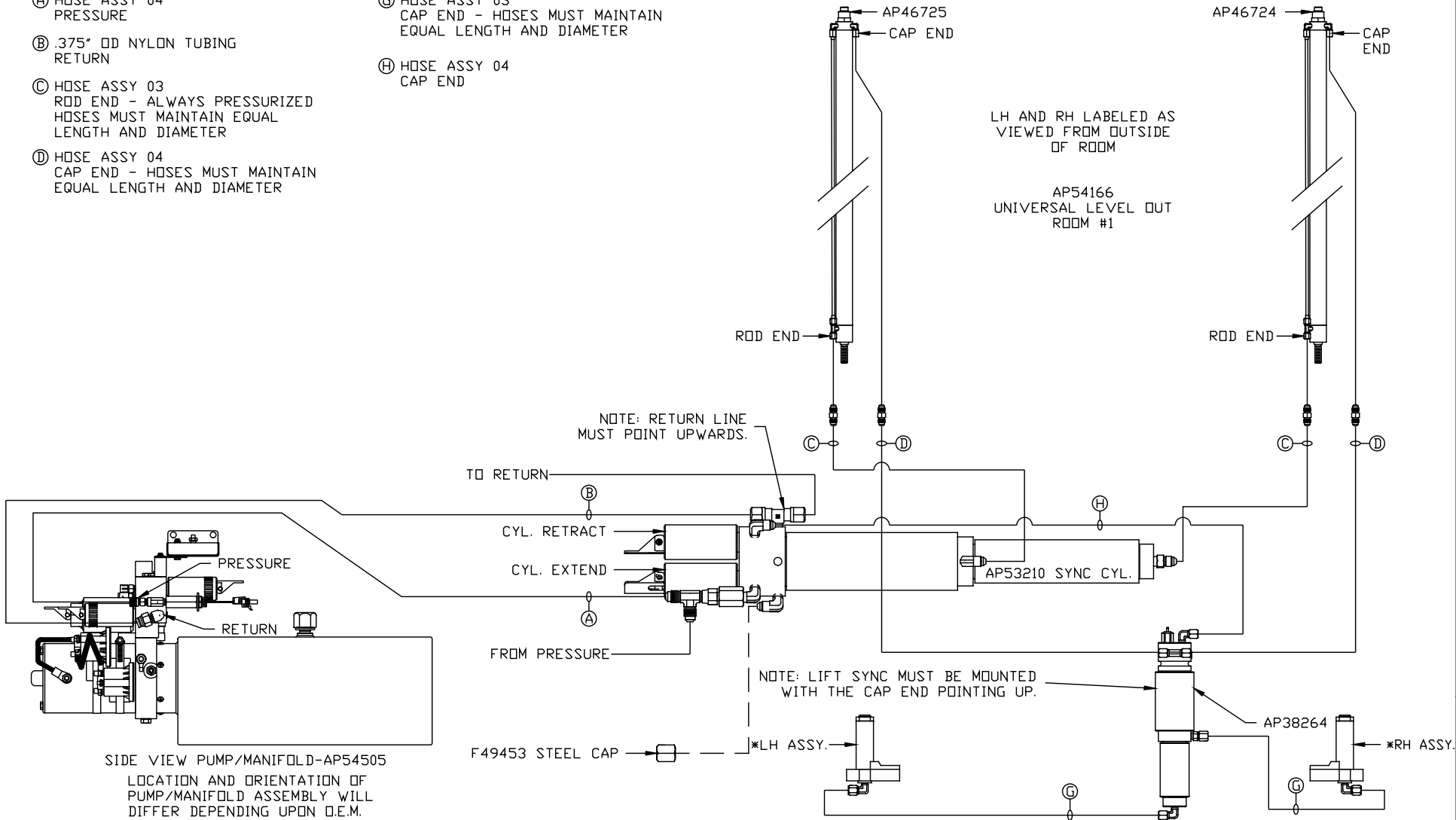
NOTE: INSTALLATION MUST CONFORM TO GOOD SHOP PRACTICES, SAE STANDARDS, RVIA STANDARDS, AND OTHER APPLICABLE STANDARDS.

MP70974 B/G
 16DEC15

*: PART OF THE ROOM
EXTENSION MECHANISM.

- Ⓐ HOSE ASSY 04
PRESSURE
- Ⓑ .375" OD NYLON TUBING
RETURN
- Ⓒ HOSE ASSY 03
ROD END - ALWAYS PRESSURIZED
HOSES MUST MAINTAIN EQUAL
LENGTH AND DIAMETER
- Ⓓ HOSE ASSY 04
CAP END - HOSES MUST MAINTAIN
EQUAL LENGTH AND DIAMETER

- Ⓔ HOSE ASSY 03
CAP END - HOSES MUST MAINTAIN
EQUAL LENGTH AND DIAMETER
- Ⓕ HOSE ASSY 04
CAP END



SIDE VIEW PUMP/MANIFOLD-AP54505
LOCATION AND ORIENTATION OF
PUMP/MANIFOLD ASSEMBLY WILL
DIFFER DEPENDING UPON O.E.M.

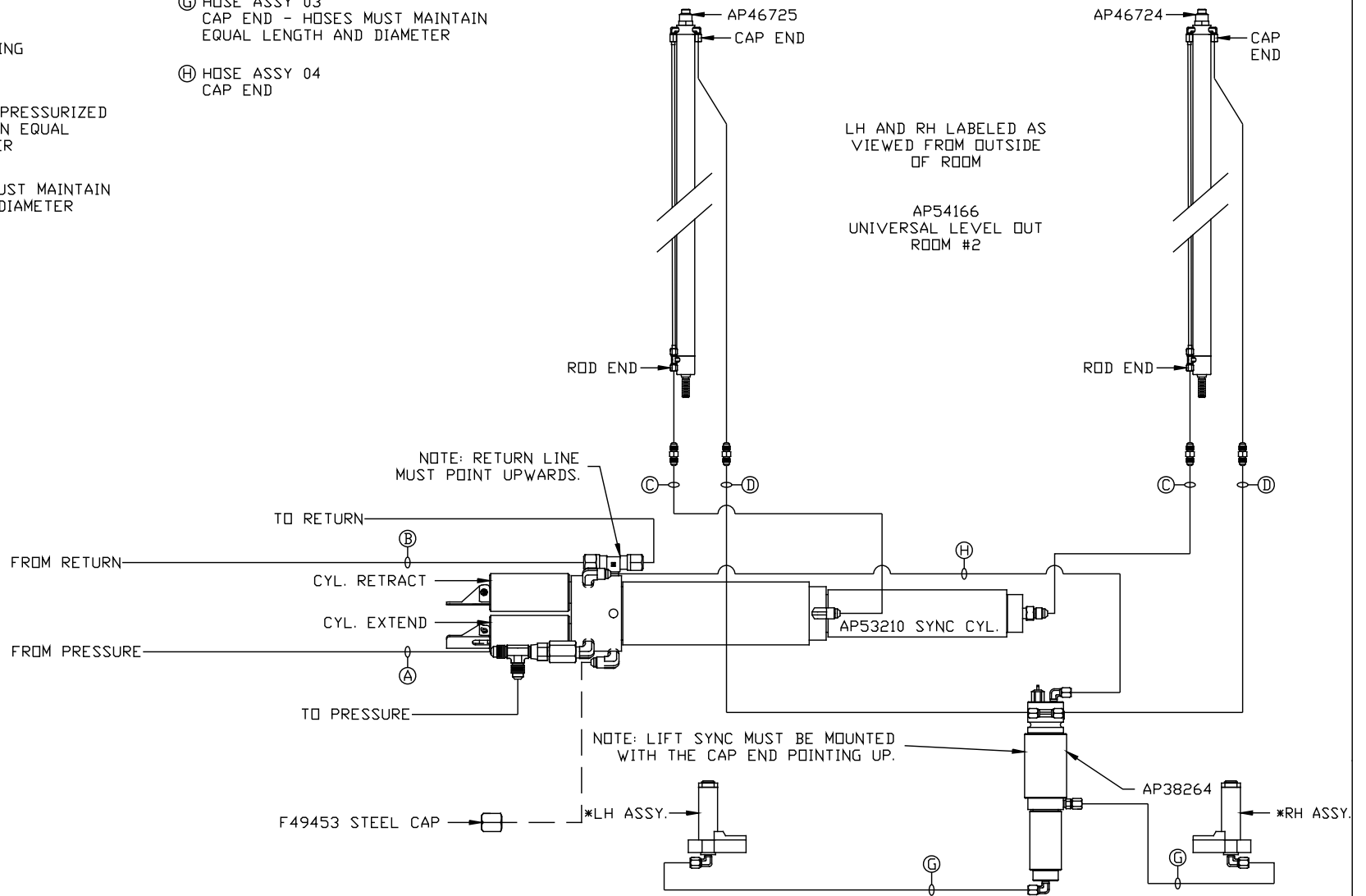
NOTE: INSTALLATION MUST CONFORM TO GOOD SHOP PRACTICES, SAE
STANDARDS, RVIA STANDARDS, AND OTHER APPLICABLE STANDARDS.

MP70974 C/G
16DEC15

*: PART OF THE ROOM
EXTENSION MECHANISM.

- Ⓐ HOSE ASSY 04
PRESSURE
- Ⓑ .375" OD NYLON TUBING
RETURN
- Ⓒ HOSE ASSY 03
ROD END - ALWAYS PRESSURIZED
HOSES MUST MAINTAIN EQUAL
LENGTH AND DIAMETER
- Ⓓ HOSE ASSY 04
CAP END - HOSES MUST MAINTAIN
EQUAL LENGTH AND DIAMETER

- Ⓔ HOSE ASSY 03
CAP END - HOSES MUST MAINTAIN
EQUAL LENGTH AND DIAMETER
- Ⓕ HOSE ASSY 04
CAP END



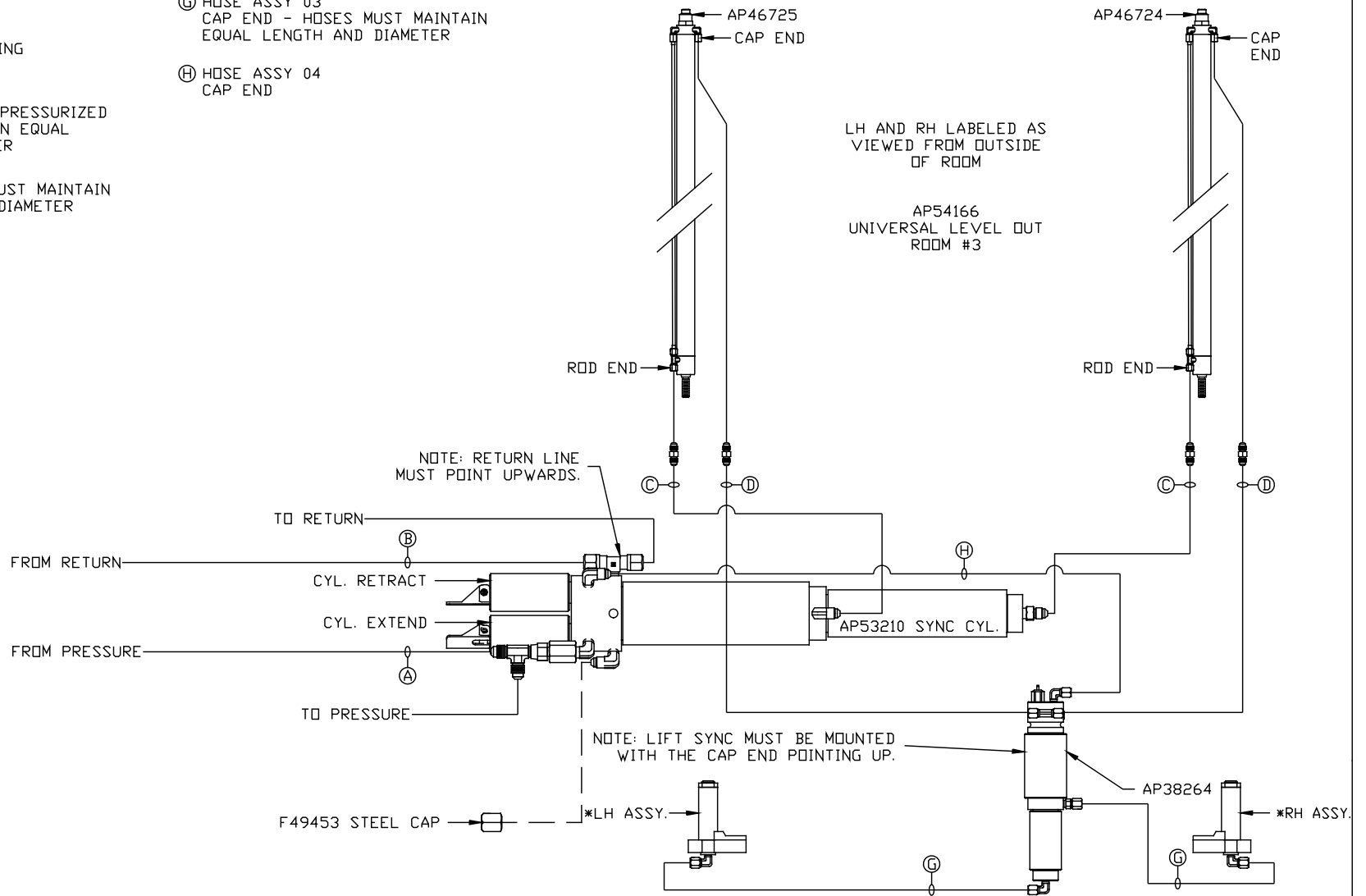
NOTE: INSTALLATION MUST CONFORM TO GOOD SHOP PRACTICES, SAE
STANDARDS, RVIA STANDARDS, AND OTHER APPLICABLE STANDARDS.

MP70974 D/G
16DEC15

*: PART OF THE ROOM
EXTENSION MECHANISM.

- Ⓐ HOSE ASSY 04
PRESSURE
- Ⓑ .375" OD NYLON TUBING
RETURN
- Ⓒ HOSE ASSY 03
ROD END - ALWAYS PRESSURIZED
HOSES MUST MAINTAIN EQUAL
LENGTH AND DIAMETER
- Ⓓ HOSE ASSY 04
CAP END - HOSES MUST MAINTAIN
EQUAL LENGTH AND DIAMETER

- Ⓒ HOSE ASSY 03
CAP END - HOSES MUST MAINTAIN
EQUAL LENGTH AND DIAMETER
- Ⓗ HOSE ASSY 04
CAP END



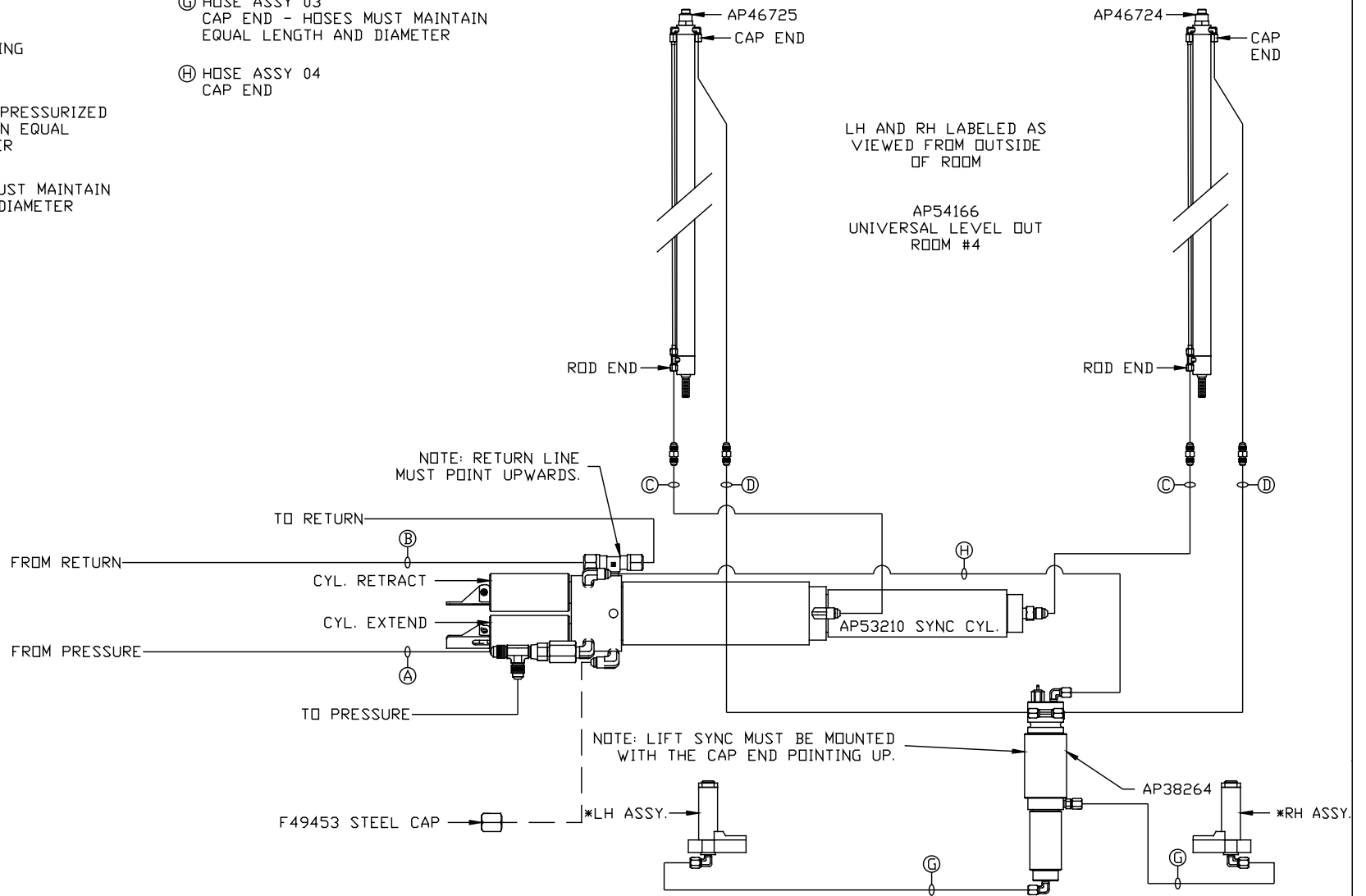
NOTE: INSTALLATION MUST CONFORM TO GOOD SHOP PRACTICES, SAE STANDARDS, RVIA STANDARDS, AND OTHER APPLICABLE STANDARDS.

MP70974 E/G
16DEC15

*: PART OF THE ROOM
EXTENSION MECHANISM.

- Ⓐ HOSE ASSY 04
PRESSURE
- Ⓑ .375" OD NYLON TUBING
RETURN
- Ⓒ HOSE ASSY 03
ROD END - ALWAYS PRESSURIZED
HOSES MUST MAINTAIN EQUAL
LENGTH AND DIAMETER
- Ⓓ HOSE ASSY 04
CAP END - HOSES MUST MAINTAIN
EQUAL LENGTH AND DIAMETER

- Ⓔ HOSE ASSY 03
CAP END - HOSES MUST MAINTAIN
EQUAL LENGTH AND DIAMETER
- Ⓕ HOSE ASSY 04
CAP END



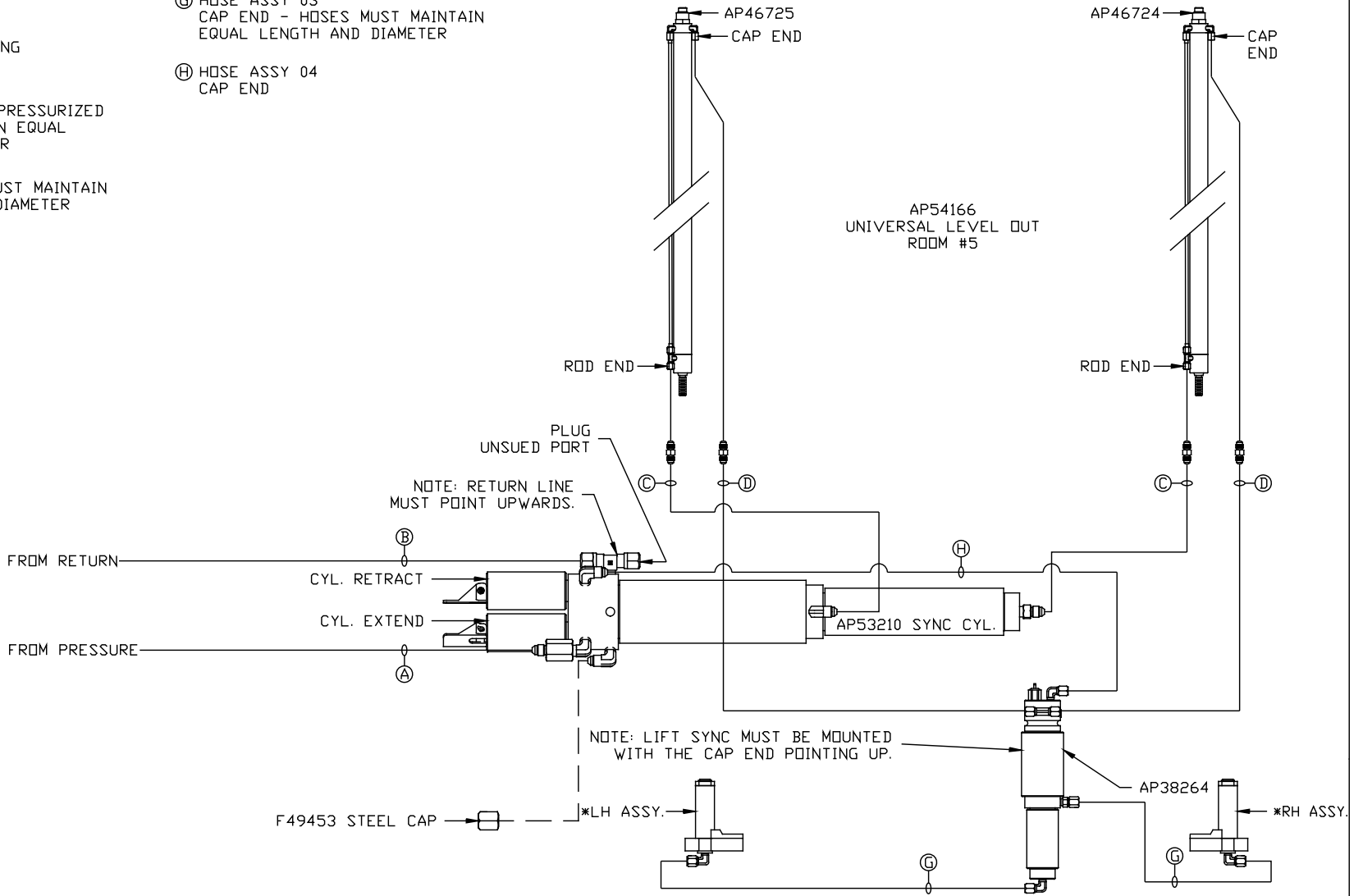
NOTE: INSTALLATION MUST CONFORM TO GOOD SHOP PRACTICES, SAE
STANDARDS, RVIA STANDARDS, AND OTHER APPLICABLE STANDARDS.

MP70974 F/G
16DEC15

*: PART OF THE ROOM
EXTENSION MECHANISM.

- Ⓐ HOSE ASSY 04
PRESSURE
- Ⓑ .375" OD NYLON TUBING
RETURN
- Ⓒ HOSE ASSY 03
ROD END - ALWAYS PRESSURIZED
HOSES MUST MAINTAIN EQUAL
LENGTH AND DIAMETER
- Ⓓ HOSE ASSY 04
CAP END - HOSES MUST MAINTAIN
EQUAL LENGTH AND DIAMETER

- Ⓔ HOSE ASSY 03
CAP END - HOSES MUST MAINTAIN
EQUAL LENGTH AND DIAMETER
- Ⓕ HOSE ASSY 04
CAP END



NOTE: INSTALLATION MUST CONFORM TO GOOD SHOP PRACTICES, SAE
STANDARDS, RVIA STANDARDS, AND OTHER APPLICABLE STANDARDS.

MP70974 G/G
16DEC15