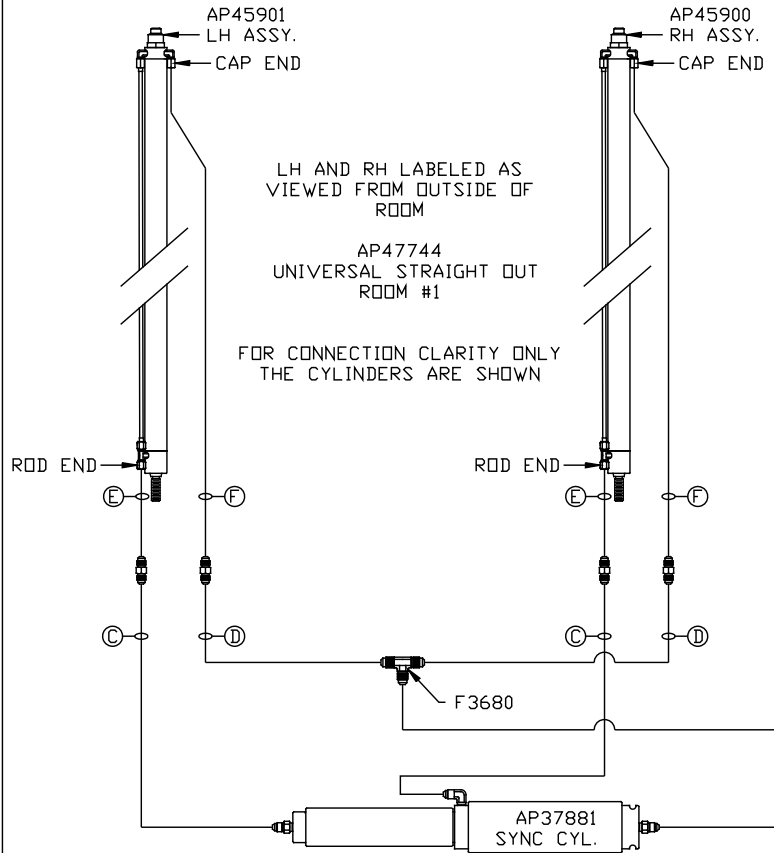
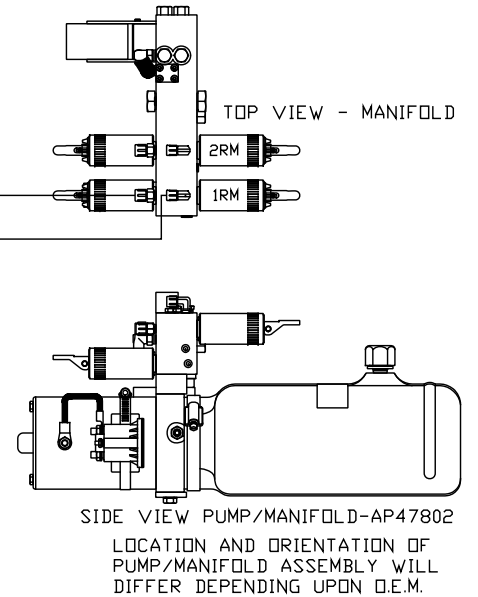


NOTE: HOSES (E) AND (F) ARE INCLUDED WITH THE ROOM EXTENSION MECHANISM



- (A) HOSE ASSY 04
ROD END - ALWAYS PRESSURIZED
- (B) HOSE ASSY 04
CAP END
- (C) HOSE ASSY 03
ROD END - ALWAYS PRESSURIZED
HOSES MUST MAINTAIN EQUAL LENGTH AND DIAMETER
- (D) HOSE ASSY 04
CAP END - HOSES MUST MAINTAIN EQUAL LENGTH AND DIAMETER

- (E) AP24632 HOSE ASSY HWH02HP x 48"
ROD END - ALWAYS PRESSURIZED - HOSES MUST MAINTAIN EQUAL LENGTH AND DIAMETER
- (F) AP24818 HOSE ASSY HWH02HP x 86"
CAP END - MUST MAINTAIN EQUAL LENGTH AND DIAMETER



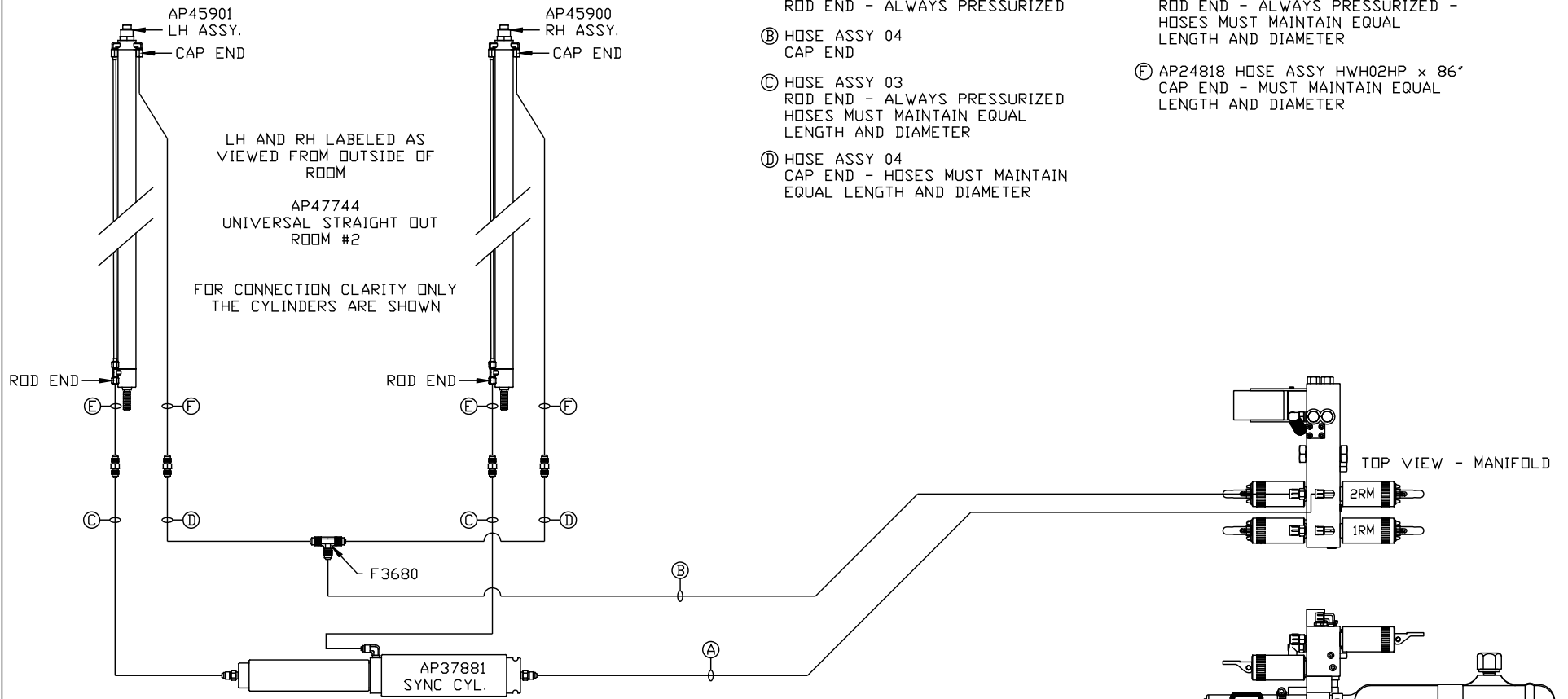
NOTE: INSTALLATION MUST CONFORM TO GOOD SHOP PRACTICES, SAE STANDARDS, RVIA STANDARDS, AND OTHER APPLICABLE STANDARDS.

CONTROL PACKAGE: AP47738

NO.	DATE	REVISION
THE INFORMATION DISCLOSED ON THIS DRAWING IS CONFIDENTIAL AND MUST NOT BE DISCLOSED OR USED IN ANY MANNER WHICH WILL BE DETRIMENTAL TO THE HWH CORPORATION		

HWH		I-80 EXIT 267 SOUTH RT 1 MOSCOW, IOWA 52760	
SCALE 1:6	DATE 26FEB16	DRAWN BY .	
HYD CONN DIAGRAM			
RB COMPONENTS		DRAWING NUMBER MP70982 A/B	

NOTE: HOSES (E) AND (F) ARE INCLUDED WITH THE ROOM EXTENSION MECHANISM



LH AND RH LABELED AS VIEWED FROM OUTSIDE OF ROOM

AP47744 UNIVERSAL STRAIGHT OUT ROOM #2

FOR CONNECTION CLARITY ONLY THE CYLINDERS ARE SHOWN

- (A) HOSE ASSY 04
ROD END - ALWAYS PRESSURIZED
- (B) HOSE ASSY 04
CAP END
- (C) HOSE ASSY 03
ROD END - ALWAYS PRESSURIZED
HOSES MUST MAINTAIN EQUAL LENGTH AND DIAMETER
- (D) HOSE ASSY 04
CAP END - HOSES MUST MAINTAIN EQUAL LENGTH AND DIAMETER

- (E) AP24632 HOSE ASSY HWH02HP x 48"
ROD END - ALWAYS PRESSURIZED - HOSES MUST MAINTAIN EQUAL LENGTH AND DIAMETER
- (F) AP24818 HOSE ASSY HWH02HP x 86"
CAP END - MUST MAINTAIN EQUAL LENGTH AND DIAMETER

NOTE: INSTALLATION MUST CONFORM TO GOOD SHOP PRACTICES, SAE STANDARDS, RVIA STANDARDS, AND OTHER APPLICABLE STANDARDS.

TOP VIEW - MANIFOLD
SIDE VIEW PUMP/MANIFOLD-AP47802
LOCATION AND ORIENTATION OF PUMP/MANIFOLD ASSEMBLY WILL DIFFER DEPENDING UPON O.E.M.

MP70982 B/B
26FEB16