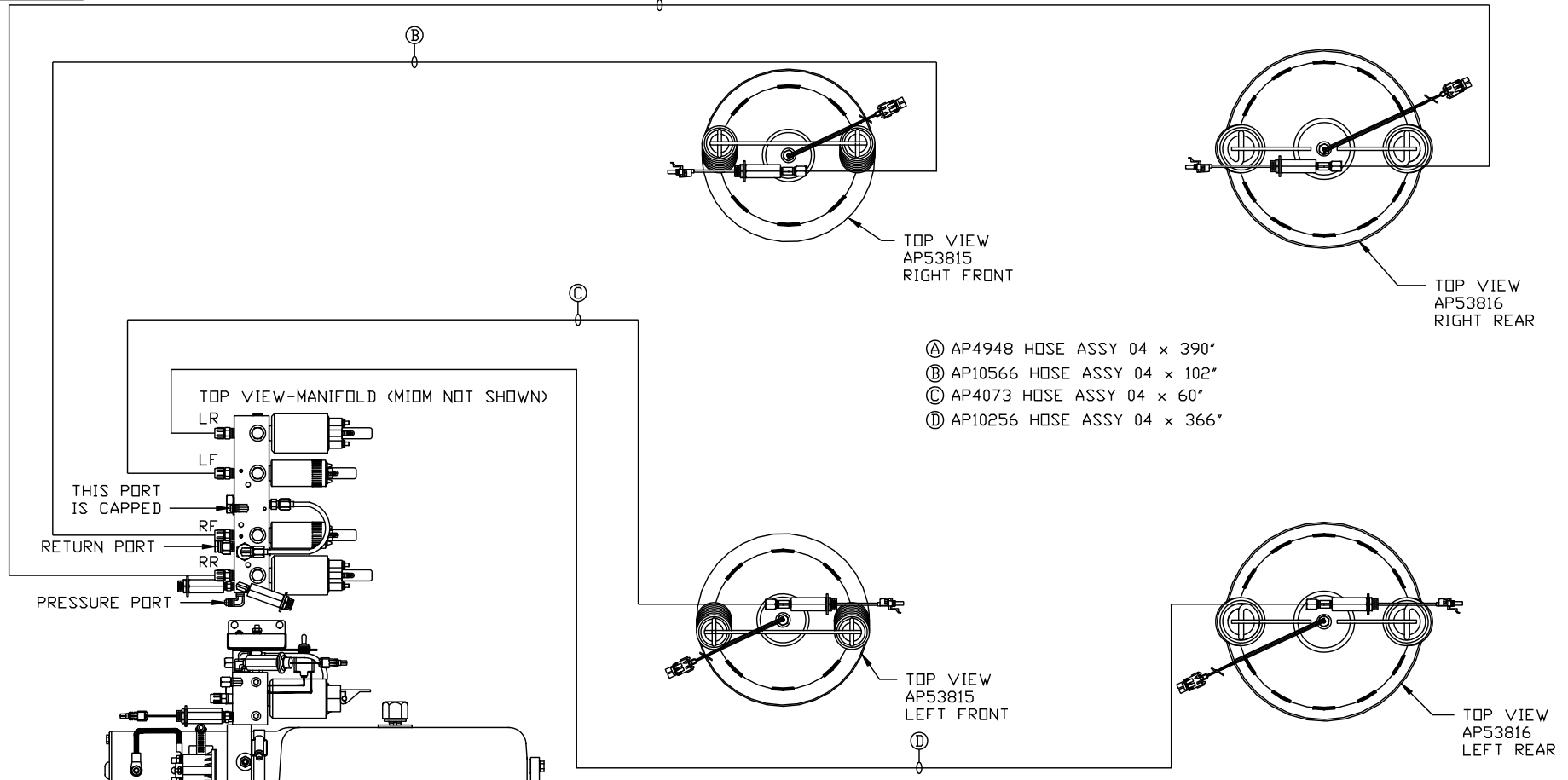
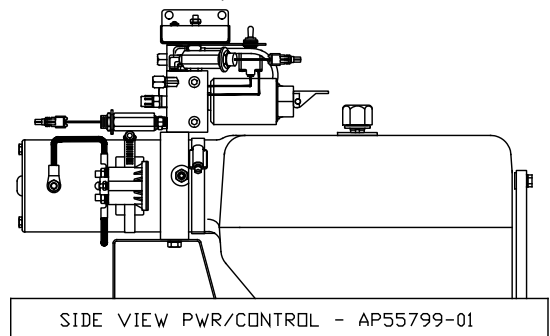
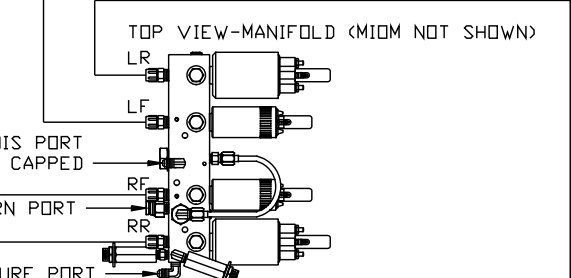


ORIENTATION
 ← FRONT



- Ⓐ AP4948 HOSE ASSY 04 x 390"
- Ⓑ AP10566 HOSE ASSY 04 x 102"
- Ⓒ AP4073 HOSE ASSY 04 x 60"
- Ⓓ AP10256 HOSE ASSY 04 x 366"



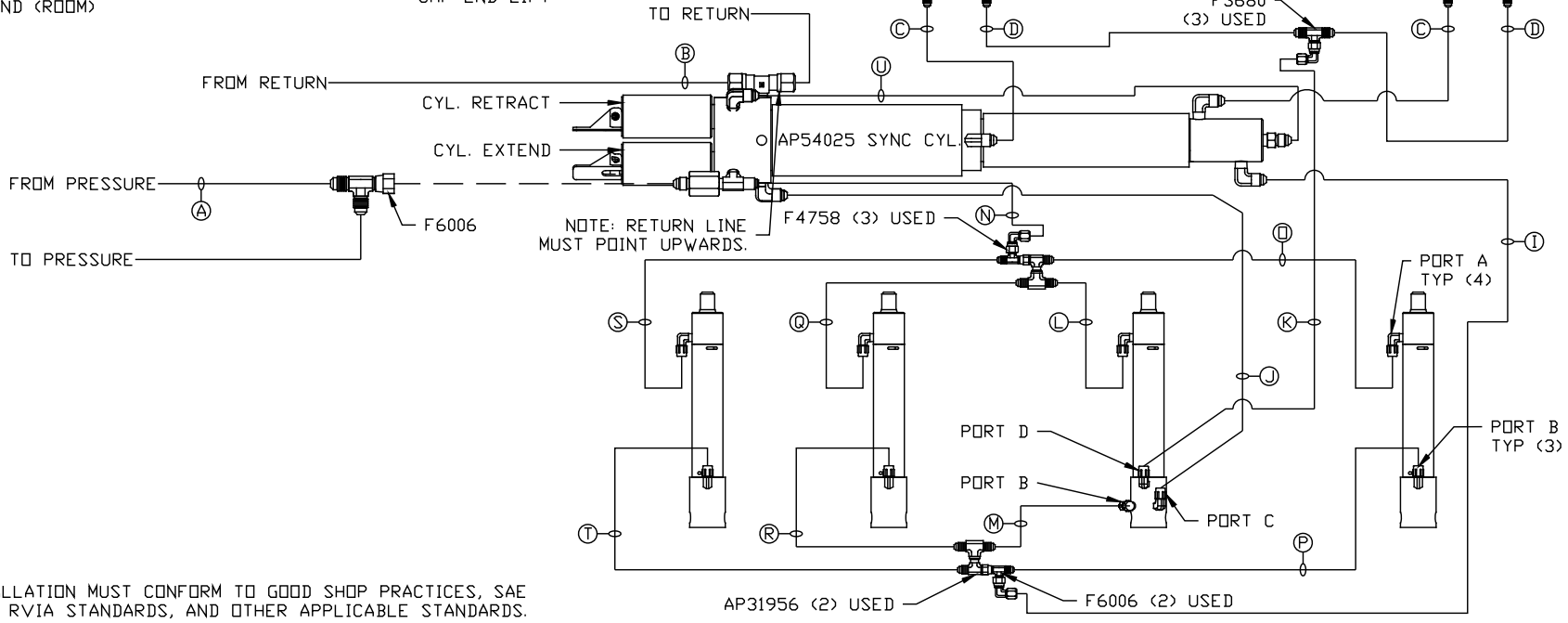
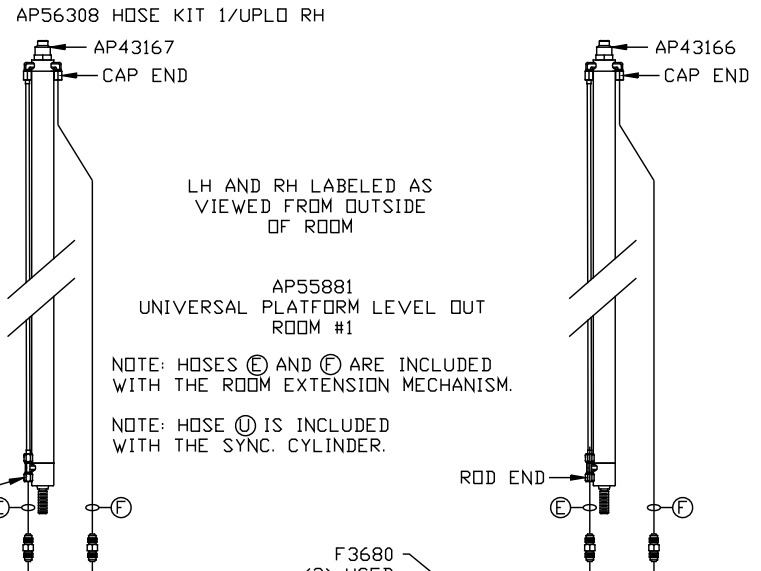
LOCATION AND ORIENTATION OF PUMP/MANIFOLD ASSEMBLY WILL DIFFER DEPENDING UPON O.E.M.

NOTE: INSTALLATION MUST CONFORM TO GOOD SHOP PRACTICES, SAE STANDARDS, RVIA STANDARDS, AND OTHER APPLICABLE STANDARDS.

		HWH I-80 EXIT 267 SOUTH RT 1 MOSCOW, IOWA 52760	
		SCALE 1:6	DATE 09MAY16
		DRAWN BY .	
⚠	24JAN17	UPDATED HOSE	
NO.	DATE	REVISION	
HYD CONN DIAGRAM			
WINNEBAGO			DRAWING NUMBER MP70997 A/C
THE INFORMATION DISCLOSED ON THIS DRAWING IS CONFIDENTIAL AND MUST NOT BE DISCLOSED OR USED IN ANY MANNER WHICH WILL BE DETRIMENTAL TO THE HWH CORPORATION			

- (A) AP3314 HOSE ASSY 04 x 48" PRESSURE
- (B) P53884 .375" OD x 60" NYLON TUBING RETURN
- (C) AP50779 HOSE ASSY 03 x 144" ROD END - ALWAYS PRESSURIZED - MUST MAINTAIN EQUAL LENGTH AND DIAMETER
- (D) AP5352 HOSE ASSY 04 x 96" CAP END - MUST MAINTAIN EQUAL LENGTH AND DIAMETER
- (E) AP24632 HOSE ASSY HWH02HP x 48" ROD END - ALWAYS PRESSURIZED - MUST MAINTAIN EQUAL LENGTH AND DIAMETER
- (F) AP24818 HOSE ASSY HWH02HP x 86" CAP END - MUST MAINTAIN EQUAL LENGTH AND DIAMETER
- (I) AP4075 HOSE ASSY 04 x 42" CAP END (LIFT)
- (J) AP49439 HOSE ASSY 03 x 132" CAP END (ROOM)
- (K) AP4728 HOSE ASSY 04 x 54" CAP END (ROOM)

- (L) AP49243 HOSE ASSY 03 x 60" ROD END (LIFT) ALWAYS PRESSURIZED
- (M) AP4073 HOSE ASSY 04 x 60" CAP END (LIFT)
- (N) AP50909 HOSE ASSY 03 x 72" ROD END - ALWAYS PRESSURIZED (LIFT)
- (O) AP49244 HOSE ASSY 03 x 108" ROD END (LIFT) ALWAYS PRESSURIZED
- (P) AP10566 HOSE ASSY 04 x 102" CAP END LIFT
- (Q) AP52163 HOSE ASSY 03 x 42" ROD END (LIFT) ALWAYS PRESSURIZED
- (R) AP4075 HOSE ASSY 04 x 42" CAP END LIFT
- (S) AP50671 HOSE ASSY 03 x 84" ROD END (LIFT) ALWAYS PRESSURIZED
- (T) AP1412 HOSE ASSY 04 x 84" CAP END LIFT

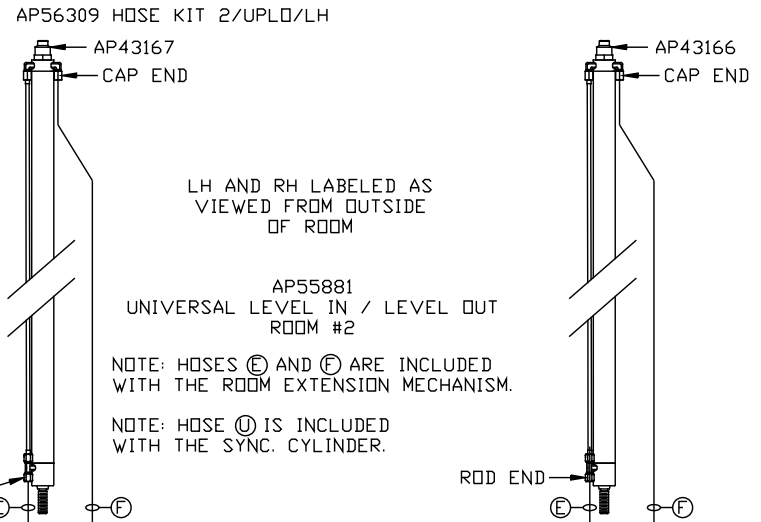


NOTE: INSTALLATION MUST CONFORM TO GOOD SHOP PRACTICES, SAE STANDARDS, RVIA STANDARDS, AND OTHER APPLICABLE STANDARDS.

MP70997 B/C
09MAY16

- ⚠ (A) AP4728 HOSE ASSY 04 x 54"
WAS AP4059 HOSE ASSY 04 x 36"
PRESSURE
- (B) P5254 .375" OD x 96" NYLON TUBING
RETURN
- (C) AP14173 HOSE ASSY 03 x 174"
ROD END - ALWAYS PRESSURIZED - MUST
MAINTAIN EQUAL LENGTH AND DIAMETER
- (D) AP53964 HOSE ASSY 04 x 114"
CAP END - MUST MAINTAIN EQUAL LENGTH
AND DIAMETER
- (E) AP24632 HOSE ASSY HWH02HP x 48"
ROD END - ALWAYS PRESSURIZED - MUST
MAINTAIN EQUAL LENGTH AND DIAMETER
- (F) AP24818 HOSE ASSY HWH02HP x 86"
CAP END - MUST MAINTAIN EQUAL LENGTH
AND DIAMETER
- (I) AP4073 HOSE ASSY 04 x 60"
CAP END (LIFT)
- (J) AP50907 HOSE ASSY 03 x 48"
CAP END (ROOM)
- (K) AP4728 HOSE ASSY 04 x 54"
CAP END (ROOM)

- (L) AP52163 HOSE ASSY 03 x 42" ROD END (LIFT)
ALWAYS PRESSURIZED
- (M) AP4217 HOSE ASSY 04 x 30"
CAP END (LIFT)
- (N) AP50671 HOSE ASSY 03 x 84"
ROD END - ALWAYS
PRESSURIZED (LIFT)
- (O) AP50910 HOSE ASSY 03 x 90" ROD END (LIFT)
ALWAYS PRESSURIZED
- (P) AP1412 HOSE ASSY 04 x 84"
CAP END LIFT
- (Q) AP50909 HOSE ASSY 03 x 72" ROD END (LIFT)
ALWAYS PRESSURIZED
- (R) AP5351 HOSE ASSY 04 x 66"
CAP END LIFT
- (S) AP53975 HOSE ASSY 03 x 126" ROD END (LIFT)
ALWAYS PRESSURIZED
- (T) AP4161 HOSE ASSY 04 x 120"
CAP END LIFT

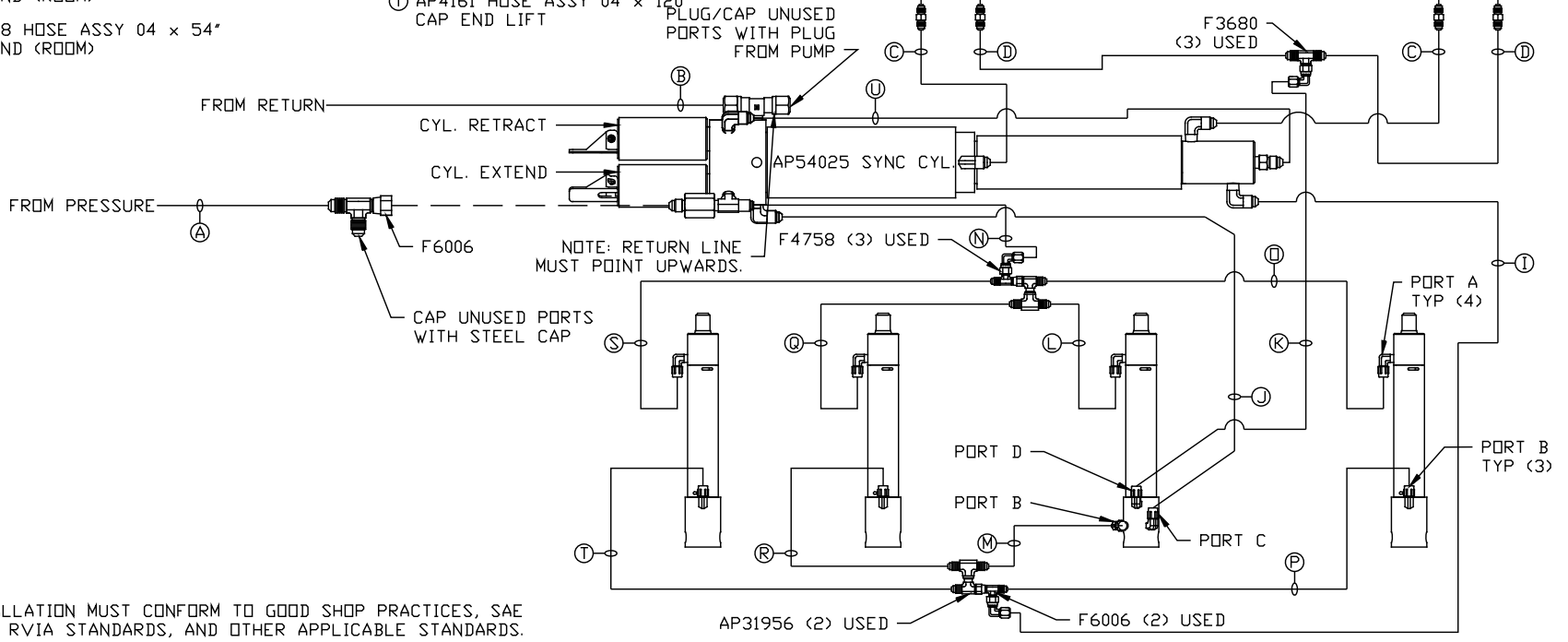


LH AND RH LABELED AS
VIEWED FROM OUTSIDE
OF ROOM

AP5581
UNIVERSAL LEVEL IN / LEVEL OUT
ROOM #2

NOTE: HOSES (E) AND (F) ARE INCLUDED
WITH THE ROOM EXTENSION MECHANISM.

NOTE: HOSE (I) IS INCLUDED
WITH THE SYNC. CYLINDER.



NOTE: INSTALLATION MUST CONFORM TO GOOD SHOP PRACTICES, SAE STANDARDS, RVIA STANDARDS, AND OTHER APPLICABLE STANDARDS.

MP70997 C/C
24 JAN17