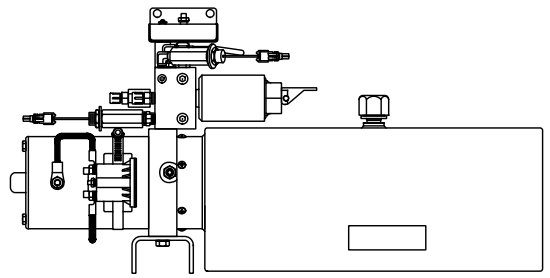
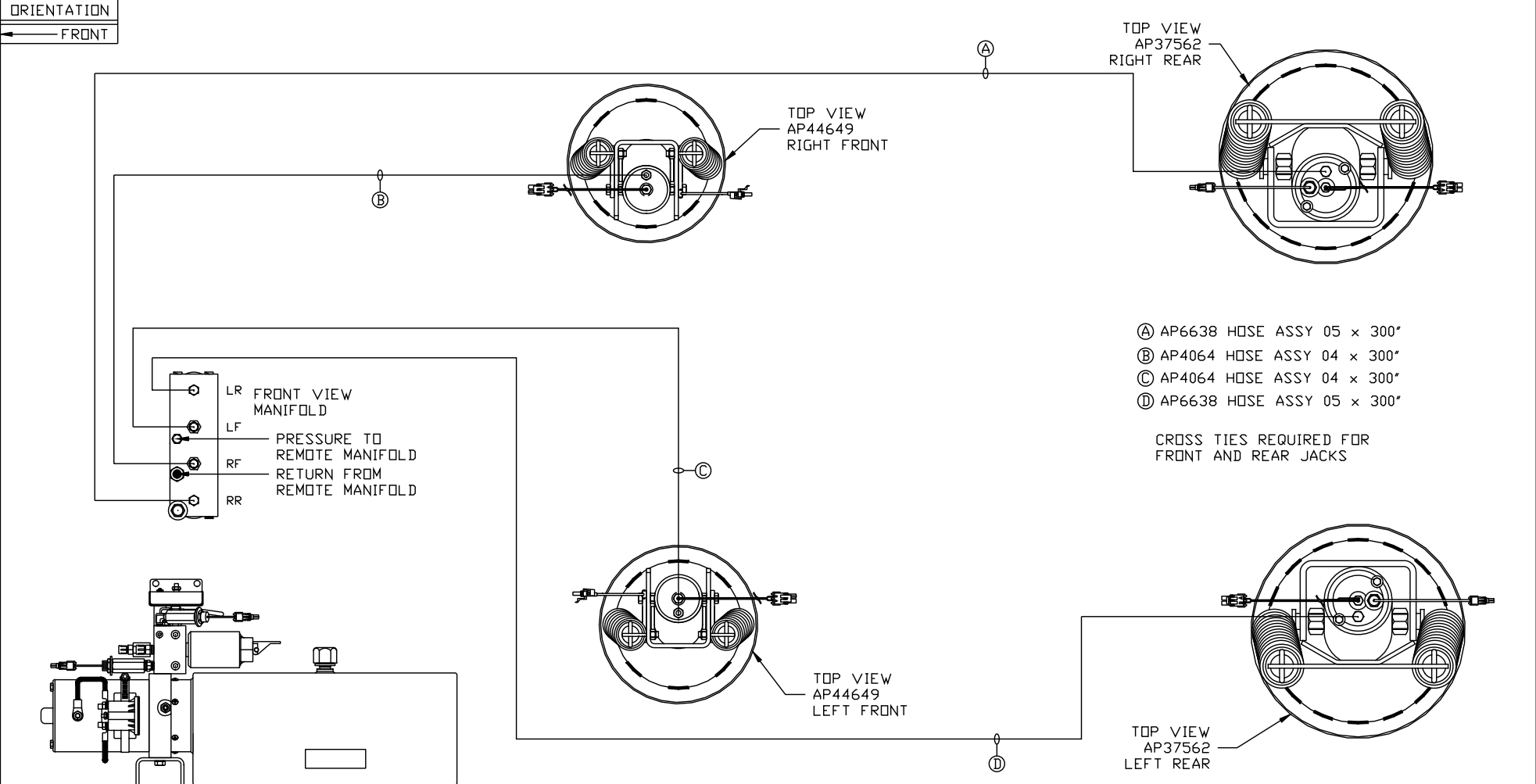


ORIENTATION
← FRONT



SIDE VIEW PUMP/MANIFOLD-AP53196

LOCATION AND ORIENTATION OF PUMP/MANIFOLD ASSEMBLY WILL DIFFER DEPENDING UPON O.E.M.

NOTE: INSTALLATION MUST CONFORM TO GOOD SHOP PRACTICES, SAE STANDARDS, RVIA STANDARDS, AND OTHER APPLICABLE STANDARDS.

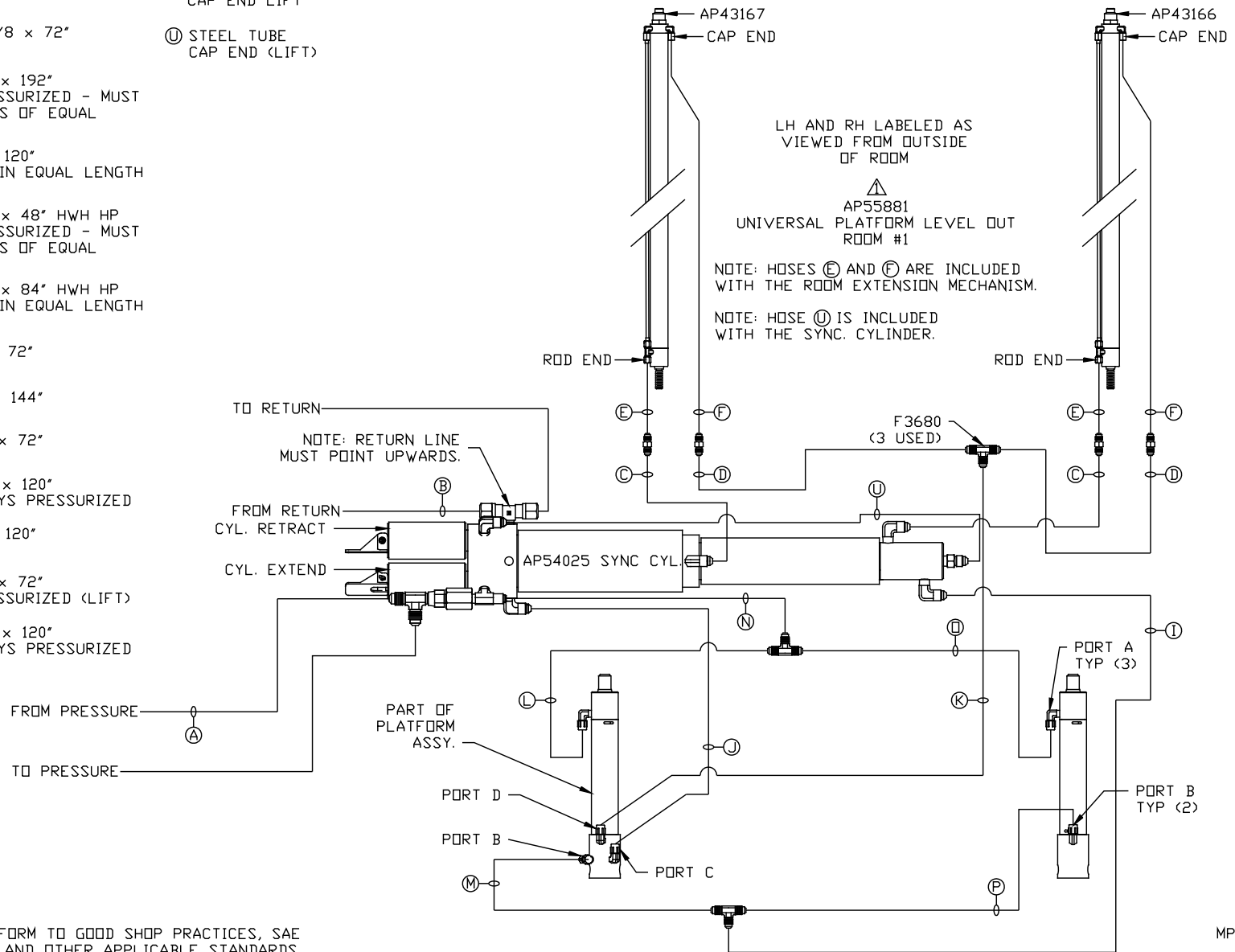
LEVELING SYSTEM: AP56728

		HWH I-80 EXIT 267 SOUTH RT 1 MOSCOW, IOWA 52760	
		SCALE 1:6	DATE 10JUN16
		DRAWN BY .	
△	19AUG16	CORRECTED KIT NO.	
NO.	DATE	REVISION	
HYD CONN DIAGRAM			
MATTHEWS			DRAWING NUMBER MP71006 A/C
THE INFORMATION DISCLOSED ON THIS DRAWING IS CONFIDENTIAL AND MUST NOT BE DISCLOSED OR USED IN ANY MANNER WHICH WILL BE DETRIMENTAL TO THE HWH CORPORATION			

- Ⓐ AP4159 HOSE ASSY 04 x 72" PRESSURE
- Ⓑ P55310 TUBING NYLON 3/8 x 72" RETURN
- Ⓒ AP49438 HOSE ASSY 03 x 192" ROD END - ALWAYS PRESSURIZED - MUST BE HIGH PRESSURE HOSES OF EQUAL LENGTH AND DIAMETER
- Ⓓ AP4161 HOSE ASSY 04 x 120" CAP END - MUST MAINTAIN EQUAL LENGTH AND DIAMETER
- Ⓔ AP24632 HOSE ASSY 02 x 48" HWH HP ROD END - ALWAYS PRESSURIZED - MUST BE HIGH PRESSURE HOSES OF EQUAL LENGTH AND DIAMETER
- Ⓕ AP24636 HOSE ASSY 02 x 84" HWH HP CAP END - MUST MAINTAIN EQUAL LENGTH AND DIAMETER
- Ⓖ AP4159 HOSE ASSY 04 x 72" CAP END (LIFT)
- Ⓙ AP4827 HOSE ASSY 04 x 144" CAP END (ROOM)
- Ⓚ AP50909 HOSE ASSY 03 x 72" CAP END (ROOM)
- Ⓛ AP49245 HOSE ASSY 03 x 120" ROD END (LIFT) - ALWAYS PRESSURIZED
- Ⓜ AP4161 HOSE ASSY 04 x 120" CAP END (LIFT)
- Ⓝ AP50909 HOSE ASSY 03 x 72" ROD END - ALWAYS PRESSURIZED (LIFT)
- Ⓟ AP49245 HOSE ASSY 03 x 120" ROD END (LIFT) - ALWAYS PRESSURIZED

- Ⓟ AP4161 HOSE ASSY 04 x 120" CAP END LIFT
- Ⓡ STEEL TUBE CAP END (LIFT)

AP56705 HOSE KIT ROOM 1



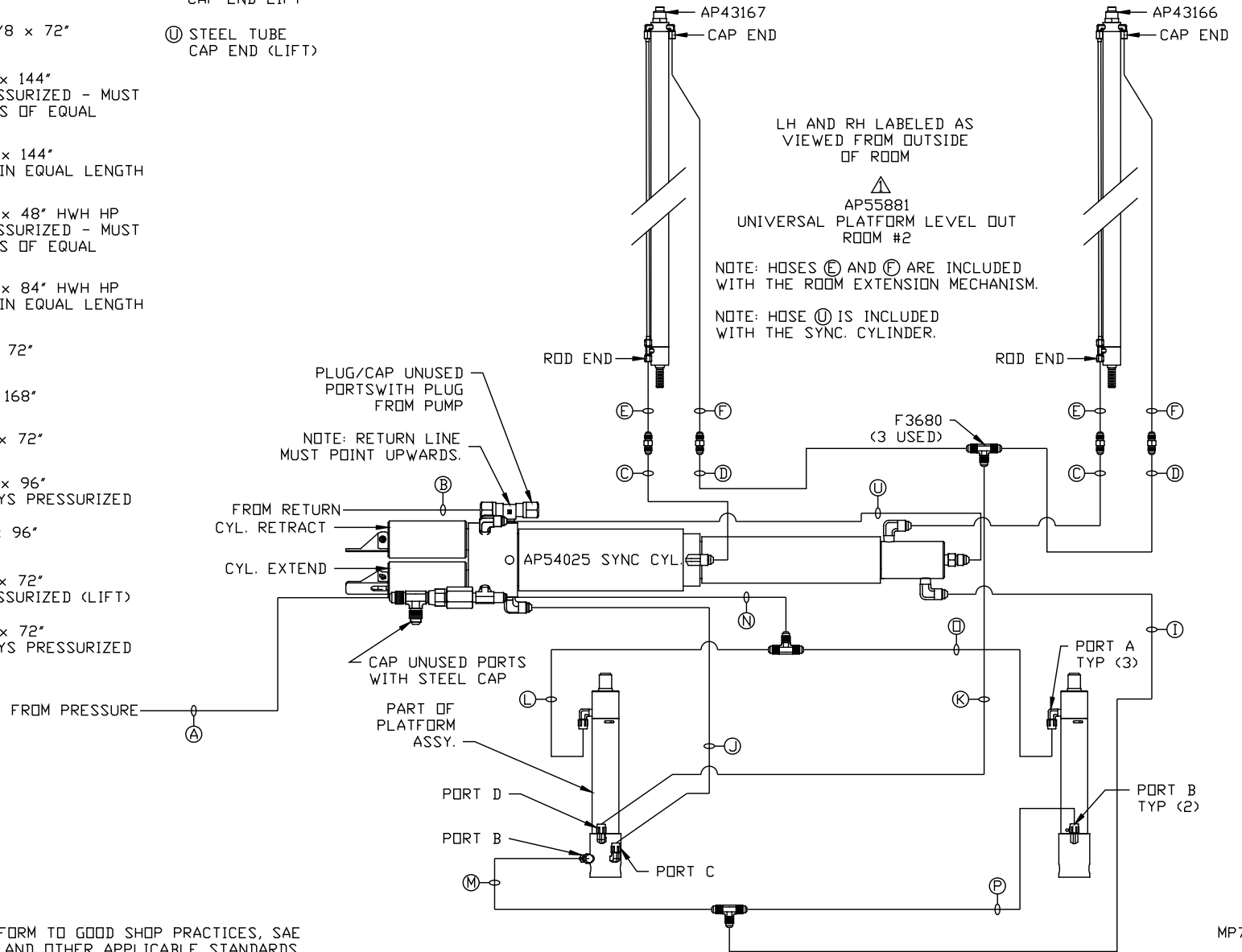
NOTE: INSTALLATION MUST CONFORM TO GOOD SHOP PRACTICES, SAE STANDARDS, RVIA STANDARDS, AND OTHER APPLICABLE STANDARDS.

MP71006 B/C
19AUG16

- Ⓐ AP4159 HOSE ASSY 04 x 72" PRESSURE
- Ⓑ P55310 TUBING NYLON 3/8 x 72" RETURN
- Ⓒ AP50779 HOSE ASSY 03 x 144" ROD END - ALWAYS PRESSURIZED - MUST BE HIGH PRESSURE HOSES OF EQUAL LENGTH AND DIAMETER
- Ⓓ AP49245 HOSE ASSY 04 x 144" CAP END - MUST MAINTAIN EQUAL LENGTH AND DIAMETER
- Ⓔ AP24632 HOSE ASSY 02 x 48" HWH HP ROD END - ALWAYS PRESSURIZED - MUST BE HIGH PRESSURE HOSES OF EQUAL LENGTH AND DIAMETER
- Ⓕ AP24636 HOSE ASSY 02 x 84" HWH HP CAP END - MUST MAINTAIN EQUAL LENGTH AND DIAMETER
- Ⓖ AP4159 HOSE ASSY 04 x 72" CAP END (LIFT)
- Ⓙ AP6115 HOSE ASSY 04 x 168" CAP END (ROOM)
- Ⓚ AP50909 HOSE ASSY 03 x 72" CAP END (ROOM)
- Ⓛ AP50766 HOSE ASSY 03 x 96" ROD END (LIFT) - ALWAYS PRESSURIZED
- Ⓜ AP5352 HOSE ASSY 04 x 96" CAP END (LIFT)
- Ⓝ AP50909 HOSE ASSY 03 x 72" ROD END - ALWAYS PRESSURIZED (LIFT)
- Ⓟ AP50909 HOSE ASSY 03 x 72" ROD END (LIFT) - ALWAYS PRESSURIZED

- Ⓟ AP5352 HOSE ASSY 04 x 96" CAP END LIFT
- Ⓡ STEEL TUBE CAP END (LIFT)

AP56706 HOSE KIT ROOM 2



NOTE: INSTALLATION MUST CONFORM TO GOOD SHOP PRACTICES, SAE STANDARDS, RVIA STANDARDS, AND OTHER APPLICABLE STANDARDS.

MP71006 C/C
19AUG16